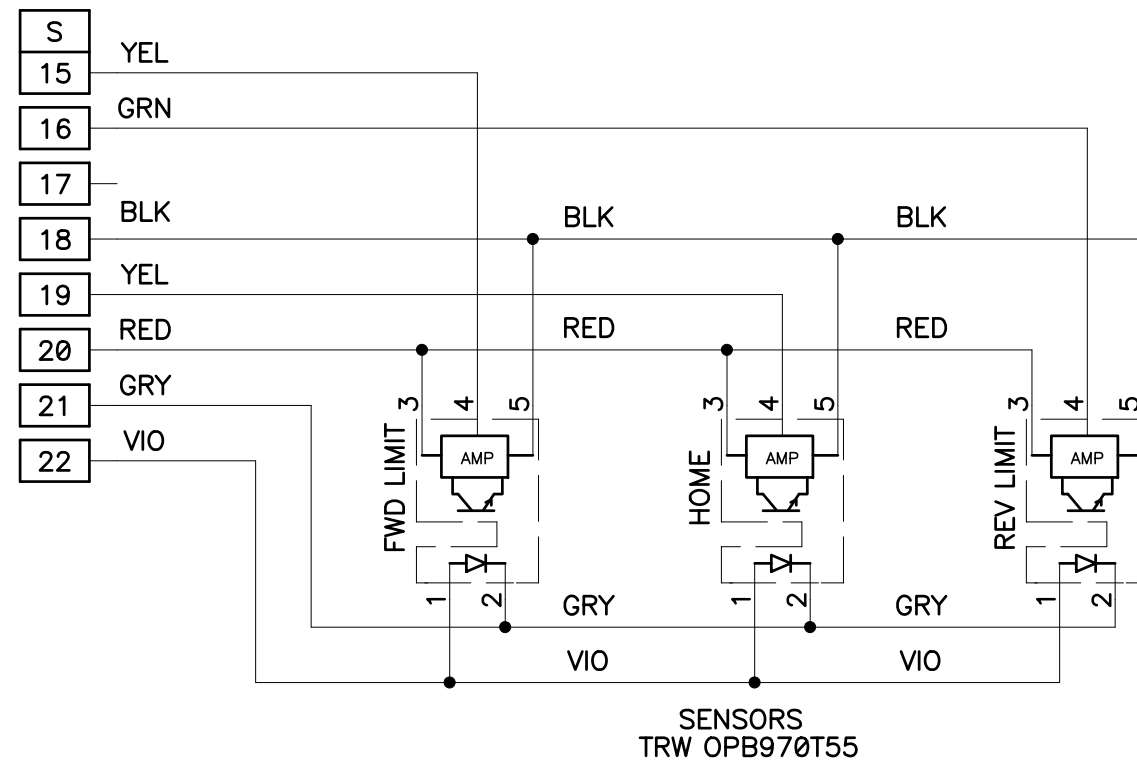
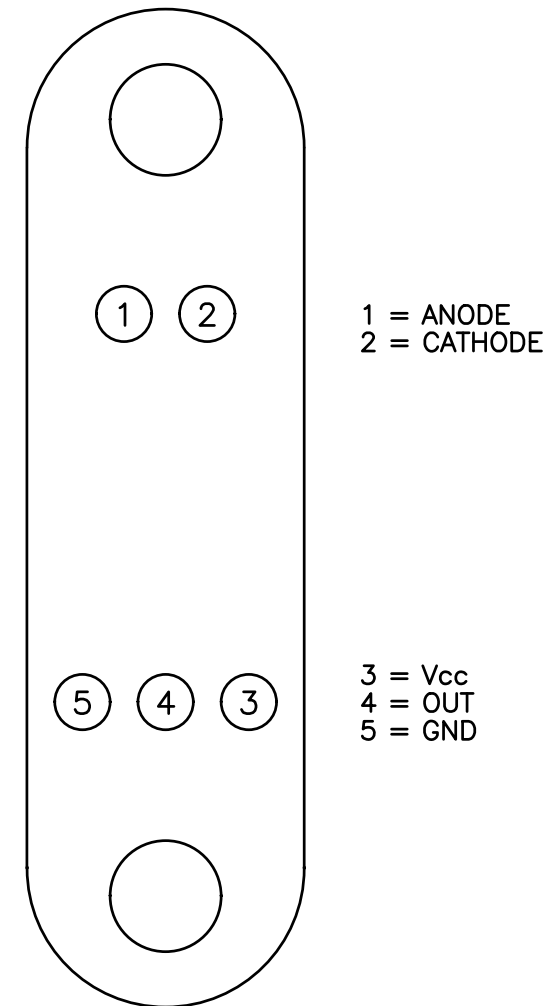


LIMITS LOCATED ON STAGE



BOTTOM VIEW



NOTES ON HOMING THE STAGE:

WHEN USING THE GALIL COMMAND FEC HOME CAN BE LOCATED ONLY BY RUNNING STAGE TO THE REVERSE LIMIT AND THEN RUNNING THE STAGE IN THE FORWARD DIRECTION APPROX. 700,000 COUNTS. IF STAGE CONTINUES TO RUN THE FORWARD DIRECTION, THE STATE WILL CHANGE AGAIN, DUE TO LENGTH OF THE FLAG, AND THE SYSTEM WILL NOT BE ABLE HOME.

REVISION

04-23-09 CORRECTED SENSOR WIRING AND ADDED WIRE COLORS
08-03-10 ADDED NOTES ON HOMING THE STAGE

UNIVERSITY OF CALIFORNIA
LICK OBSERVATORY

GUIDE CAMERA TRANSLATION
STAGE WIRING
PRIME FOCUS CAMERA

DES'N BY: B. Alcott

ORIGIN DATE: 1/19/96

DWG. NO. NUM. 2 OF 2

DRAWN BY:

MODIFY DATE: 08-03-10

PATH: PFCAM\TVTRANSL

REV. A

EL-3250-1L