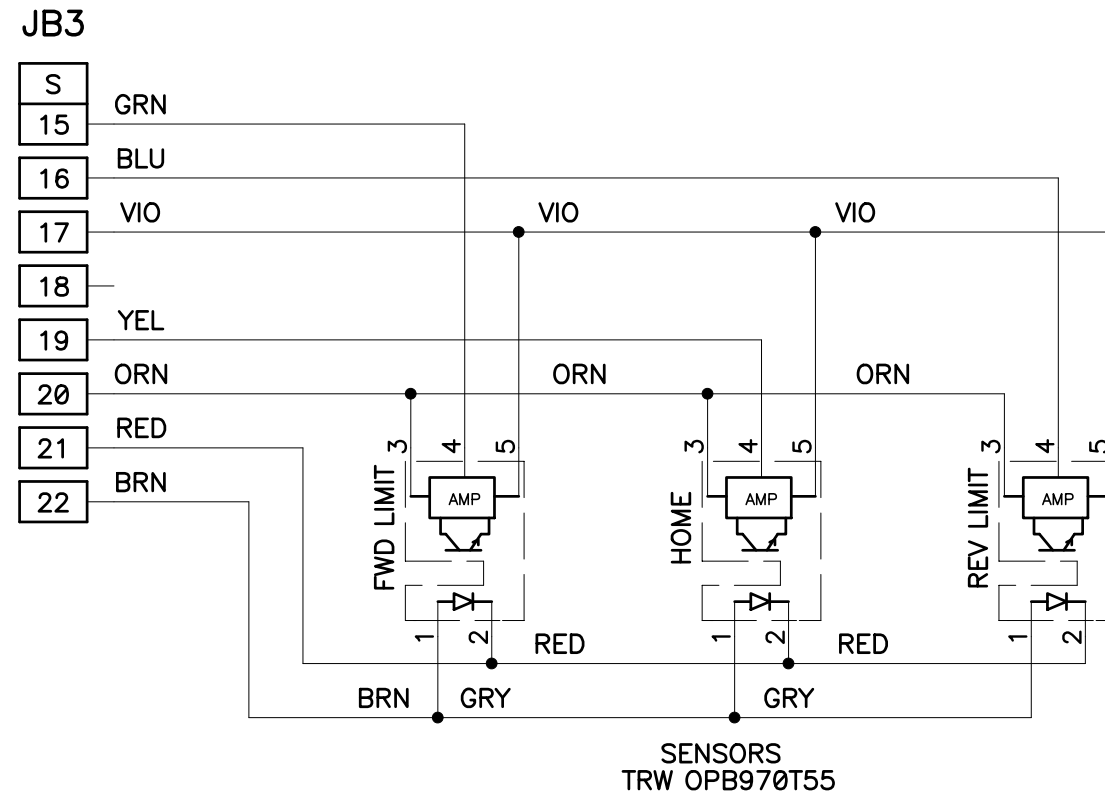
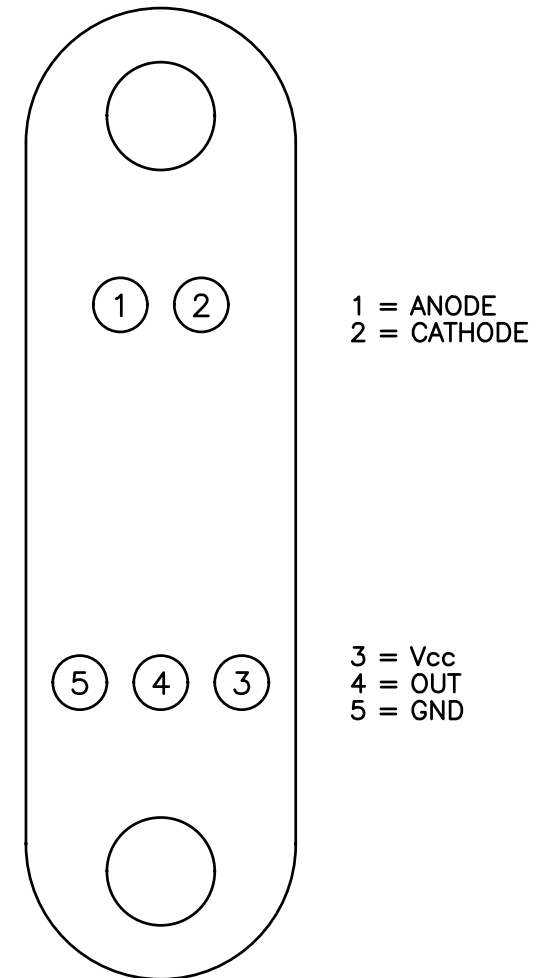


LIMITS LOCATED ON STAGE



BOTTOM VIEW



UNIVERSITY OF CALIFORNIA
LICK OBSERVATORY

CCD FOCUS
STAGE WIRING
PRIME FOCUS CAMERA

REVISION

04-22-09 CORRECTED WIRING TO ACTUAL WIRING AND ADDED WIRE COLORS

DES'N BY: B. Alcott

ORIGIN DATE: 4/28/95

DWG. NO.

NUM. OF 3

DRAWN BY:

MODIFY DATE: 04-22-09

PATH: PFCAM\CCDFOCUS

REV. B

EL-3252-1L