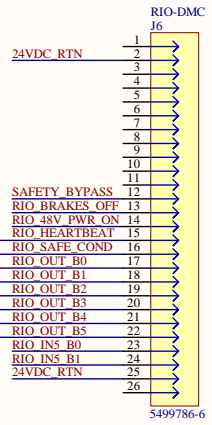
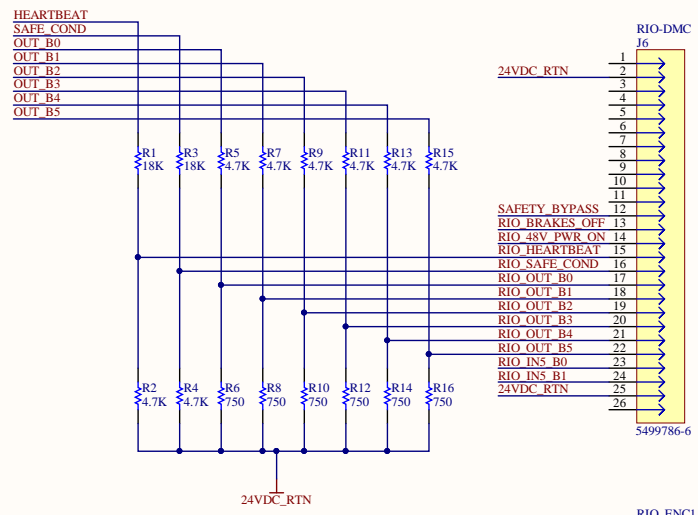


RIO-471XX

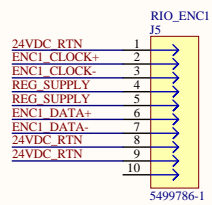
J1

RIO_47xxx DIGITAL	Pin	Signal
	1	ENC1_DATA+
	2	ENC1_CLOCK-
	3	IN_B9
	4	
	5	RIO BRAKES OFF
	6	IN_B3
	7	RIO IN5_B0
	8	24VDC RTN
	9	ENC0_DATA-
	10	OUT_B10
	11	24VDC
	12	SAFE_COND
	13	OUT_B4
	14	OUT_B1
	15	24VDC
	16	
	17	ENC1_DATA-
	18	IN_B10
	19	5V REG SUPPLY
	20	RIO_48V_PWR_ON
	21	
	22	RIO IN5_B1
	23	
	24	ENC0_CLOCK+
	25	OUT_B11
	26	OUT_B8
	27	24VDC RTN
	28	OUT_B5
	29	OUT_B2
	30	24VDC
	31	ENC1_CLOCK+
	32	IN_B11
	33	IN_B8
	34	
	35	SAFETY_BYPASS
	36	IN_B2
	37	5V REG SUPPLY
	38	ENC0_DATA+
	39	ENC0_CLOCK-
	40	OUT_B9
	41	
	42	HEARTBEAT
	43	OUT_B3
	44	OUT_B0

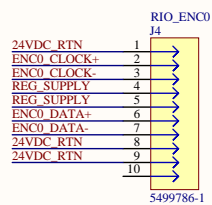
Direct PCB connector to Gallil RIO



Digital I/O to DEPLOY_FOB (Gallil DMC)

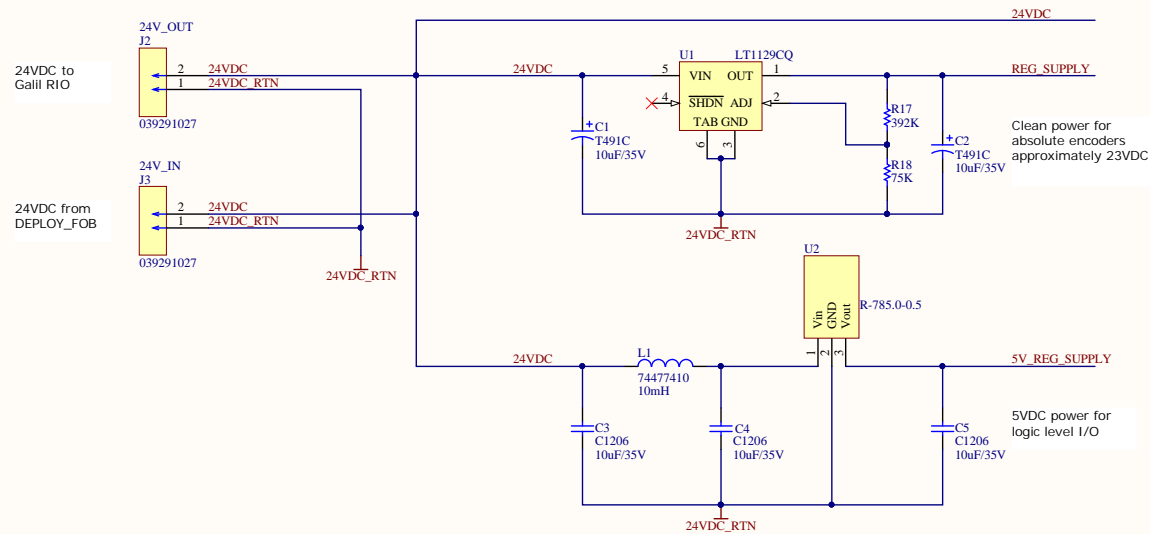
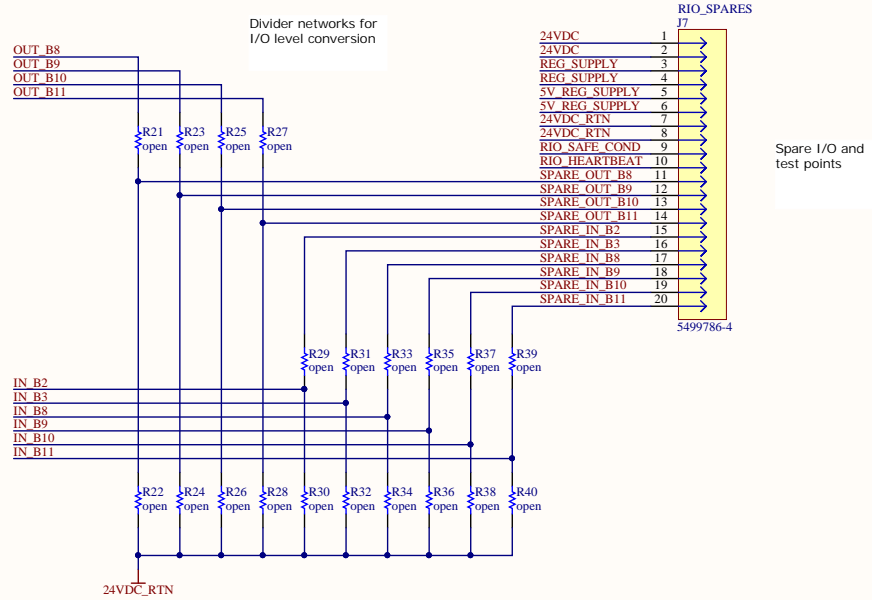



BISS connection to Renishaw LA11 absolute encoder



BISS connection to Renishaw LA11 absolute encoder

	UC OBSERVATORIES	K1DM3	KECK 1 DEPLOYABLE TERTIARY MIRROR
	DRAWN: SANDFORD		LE0400 Inner drum
	ENGR: SANDFORD		SafetyFOB - RIO_encoders, DMC
	872-LE0440-SafetyFOB_r01.PrjPcb		872-LE0440-1
	872-LE0440-1-SafetyFOB_RIOencodeDMC.SchDoc		REV 01
			B 1/2



 LICK LEONARDI INSTITUTE FOR COSMOPHYSICS	UC OBSERVATORIES	K1DM3	KECK 1 DEPLOYABLE TERTIARY MIRROR		
	DRAWN: SANDFORD		LE0400 Inner drum		
	ENGR: SANDFORD	SafetyFOB - power & spares			
	872-LE0440-SafetyFOB_r01.PrjPcb	872-LE0440-2-SafetyFOB_PowerSpares.SchDoc	872-LE0440-2	REV 01	B