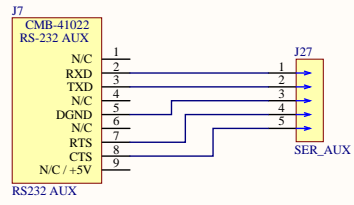
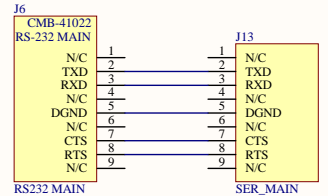
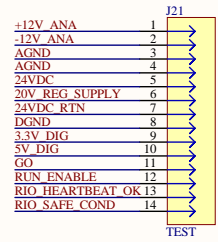
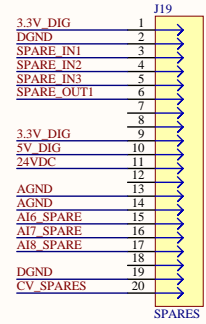


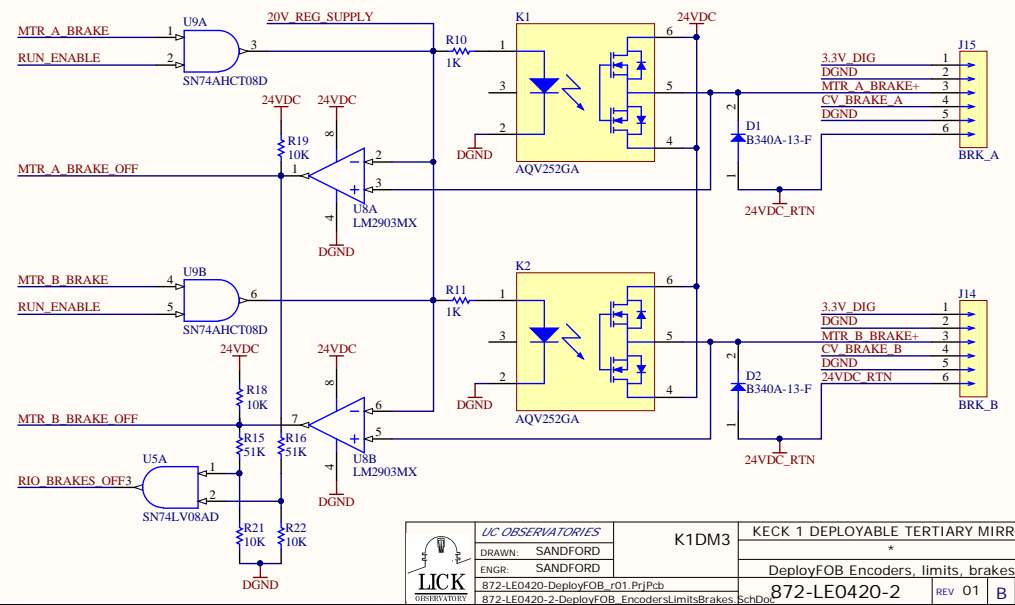
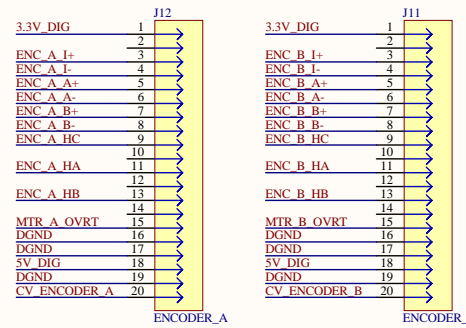
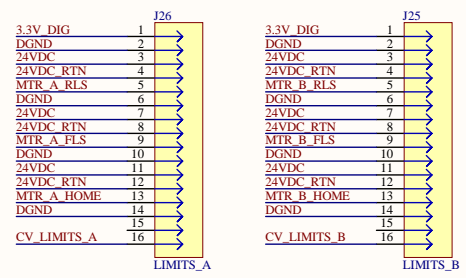
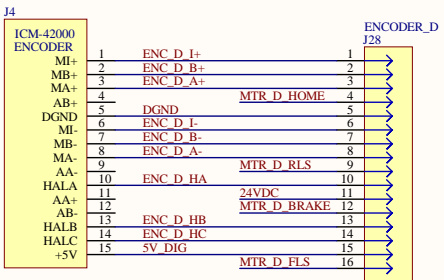
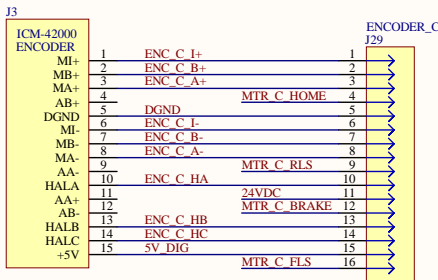
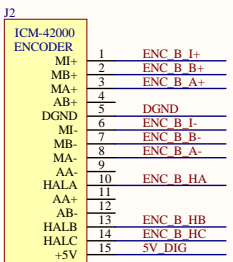
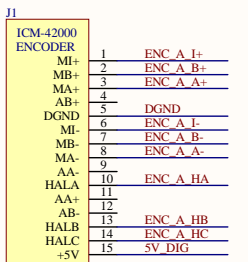
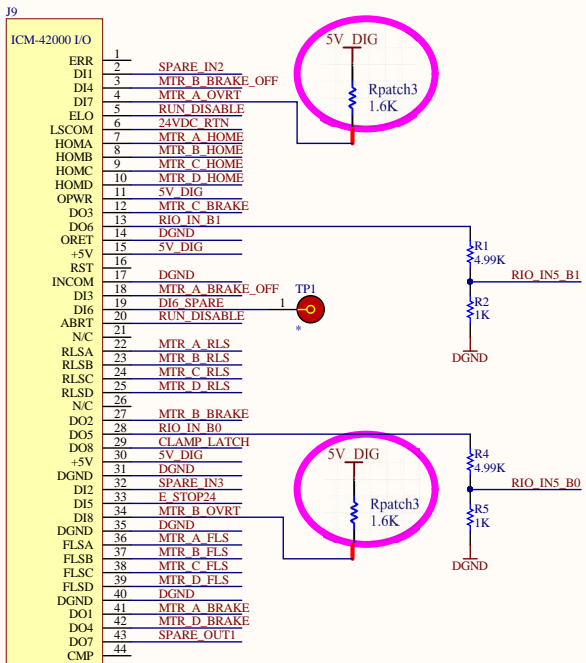
DEPLOY_FOB INDEX

Page	Contents
1	Errors & mods, spares, test connector
2	Encoders, Limits, Brakes
3	Clamps feedback switches, solenoids
4	Analog signals
5	Safety RIO (PLC)
6	Power, unused gates

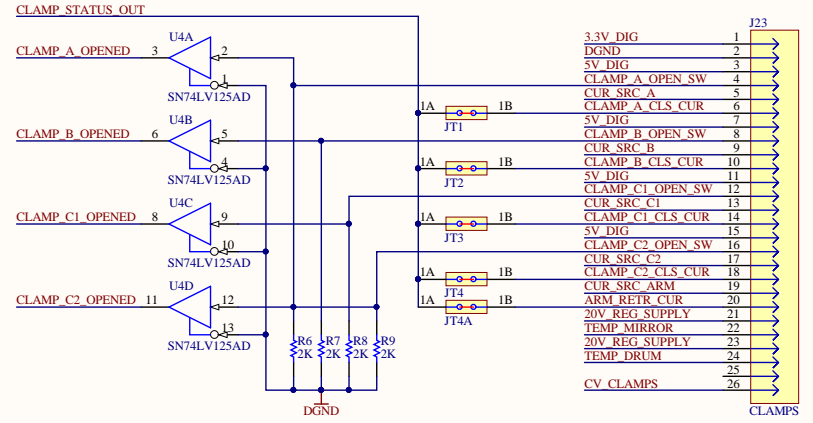
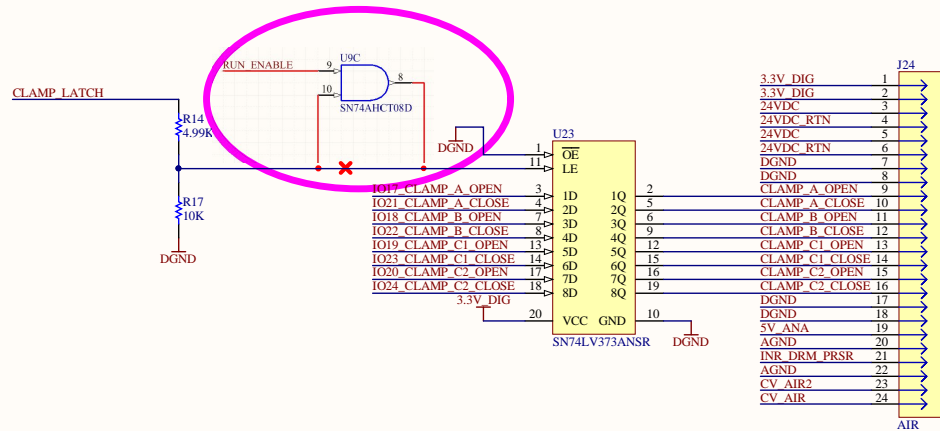
DeployFOB_r01 Eratta

- 1) Add logical AND of RUN_ENABLE and CLAMP_LATCH signal to prevent clamp changes when E-STOP is engaged
 - break signal between R14/R17 and U23-11
 - connect U9-8 to U23-11
 - break grounds to U9-9 and U9-10
 - connect U9-9 to RUN_ENABLE signal (U7-10)
 - connect U9-10 to R14/R17
- 2) Add pull down resistor to RIO_SAFE_COND to insure fault condition if cable disconnected
 - Add 10K resistor between U7-2 and DGND
- 3) Missing connection on U19-4
 - connect U19-4 to STATUS_PWR_IN (U20-4)
- 4) Add pullup resistors to MTR_A_OVRT and MTR_B_OVRT
 - add 1.6K resistor between MTR_A_OVRT (J9-4) and 5V_DIG
 - add 1.6K resistor between MTR_B_OVRT (J9-34) and 5V_DIG





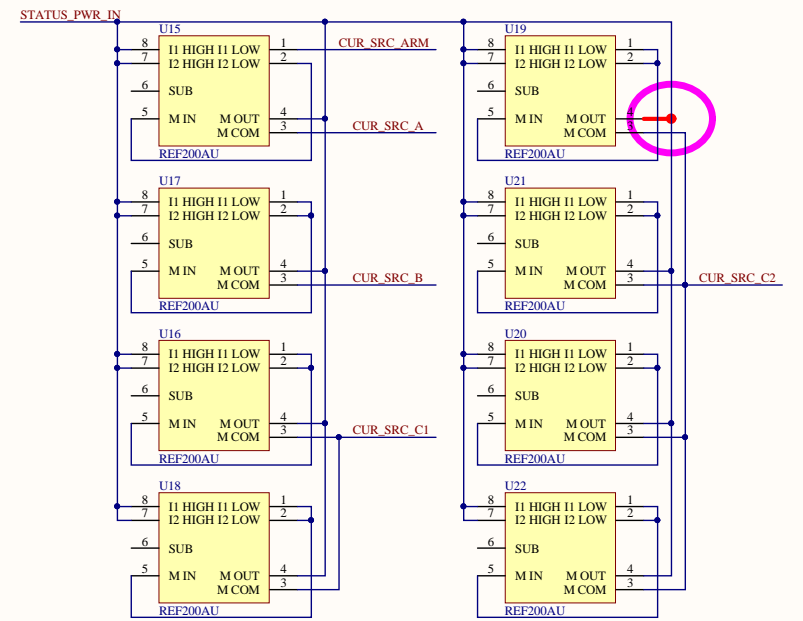
	UC OBSERVATORIES	K1DM3 KECK 1 DEPLOYABLE TERTIARY MIRROR * DeployFOB Encoders, limits, brakes 872-LE0420-2 REV 01	B 2/6
	DRAWN: SANDFORD		
	ENGR: SANDFORD		

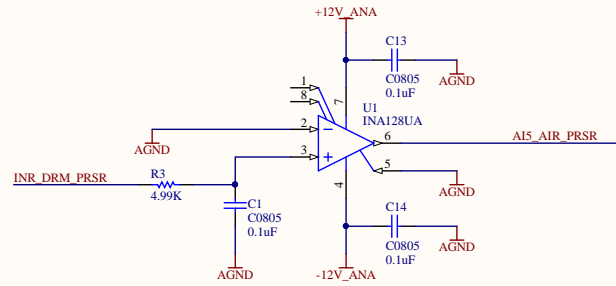
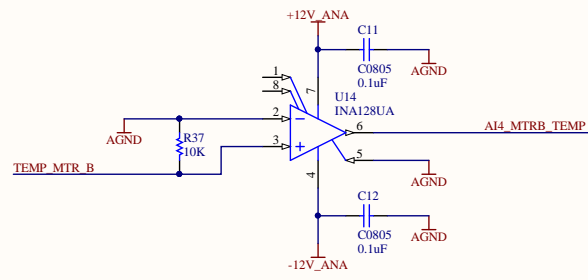
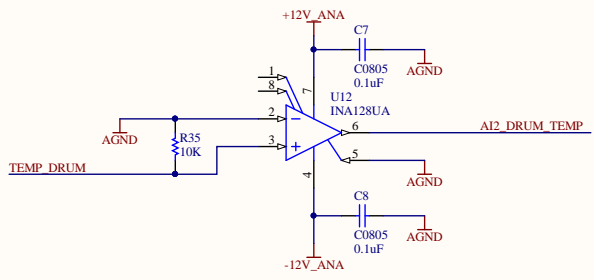
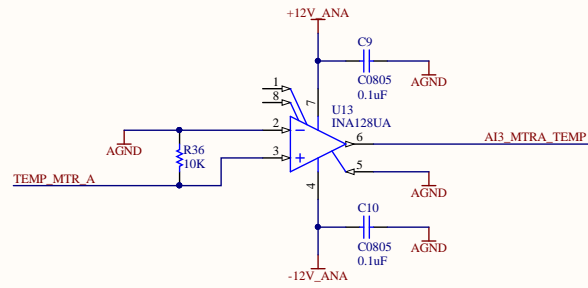
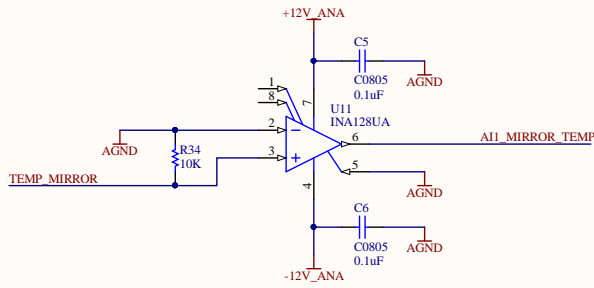


J5

CMB-41012 EXTENDED I/O	
IO18	IO18 CLAMP B OPEN
IO21	IO21 CLAMP A CLOSE
IO24	IO24 CLAMP C2 CLOSE
RIO OUT3 B1	
RIO OUT3 B4	
RIO HEARTBEAT OK	
CLAMP A OPENED	
CLAMP C2 OPENED	
CV OUTER DRUM	
N/C	
CV AIR2	
CV LIMITS A	
CV ENCODER B	
N/C	
RSRV / +5V	
IO17	IO17 CLAMP A OPEN
IO20	IO20 CLAMP C2 OPEN
IO23	IO23 CLAMP C1 CLOSE
RIO OUT3 B0	
RIO OUT3 B3	
SPARE IN1	
N/C	
CLAMP C1 OPENED	
CV SPARES	
N/C	
CV CLAMPS	
CV LIMITS B	
CV BRAKE A	
CV ENCODER A	
CV AIR	
CV BRAKE B	
DGND	
3.3V DIG	
IO19	IO19 CLAMP C1 OPEN
IO22	IO22 CLAMP B CLOSE
DGND	
RIO OUT3 B2	
RIO OUT3 B5	
DGND	
CLAMP B OPENED	
N/C	
DGND	
CV RIO	
CV AIR	
CV BRAKE B	
DGND	
N/C	

CMB41022 EXTENDED I/O

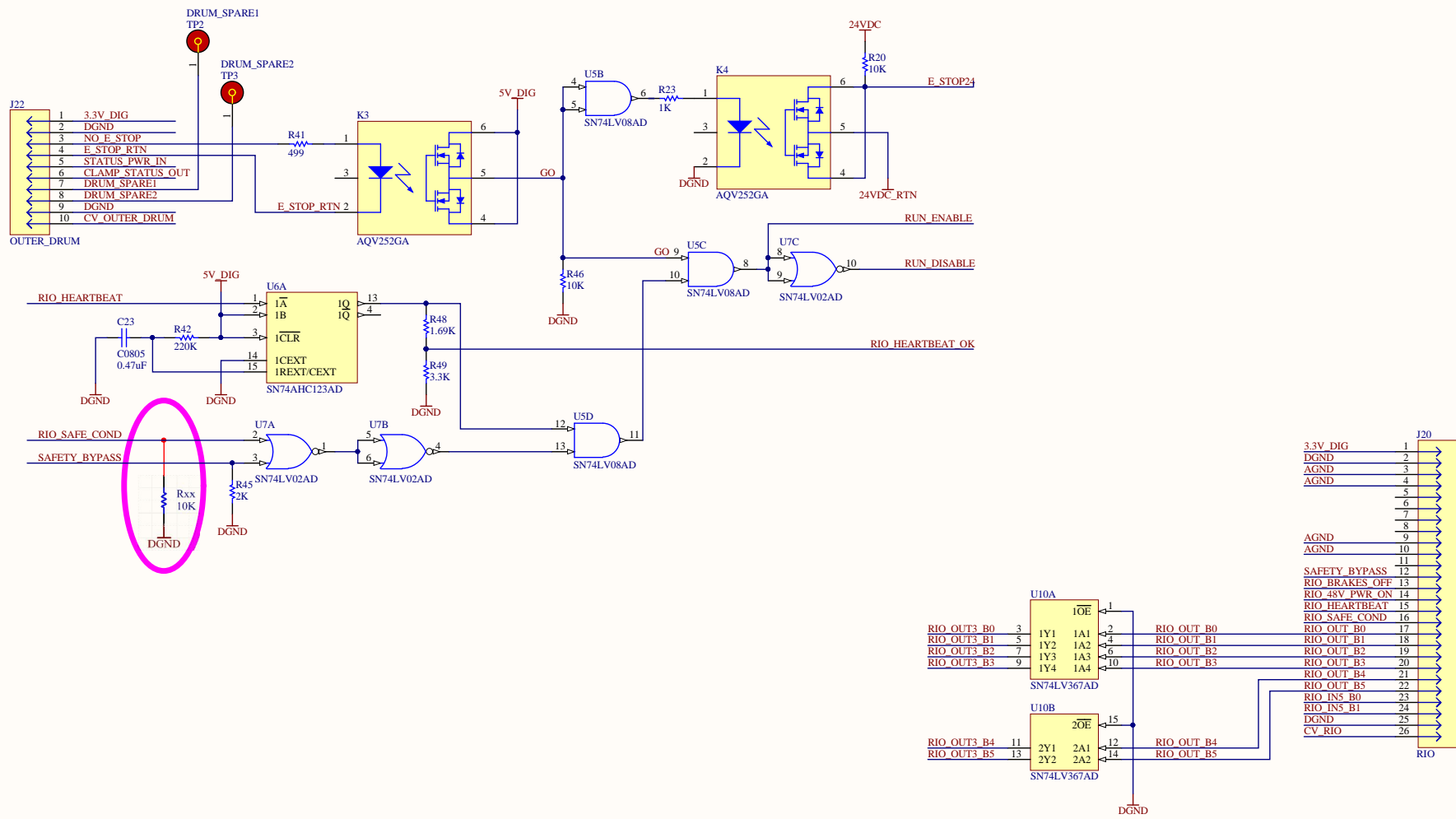





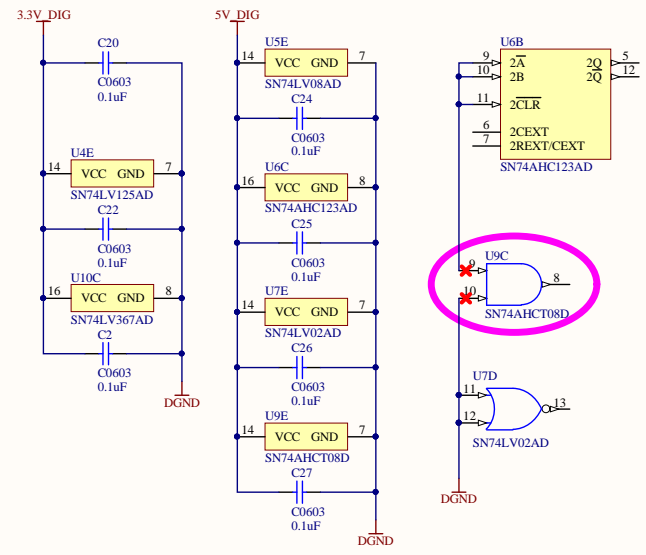
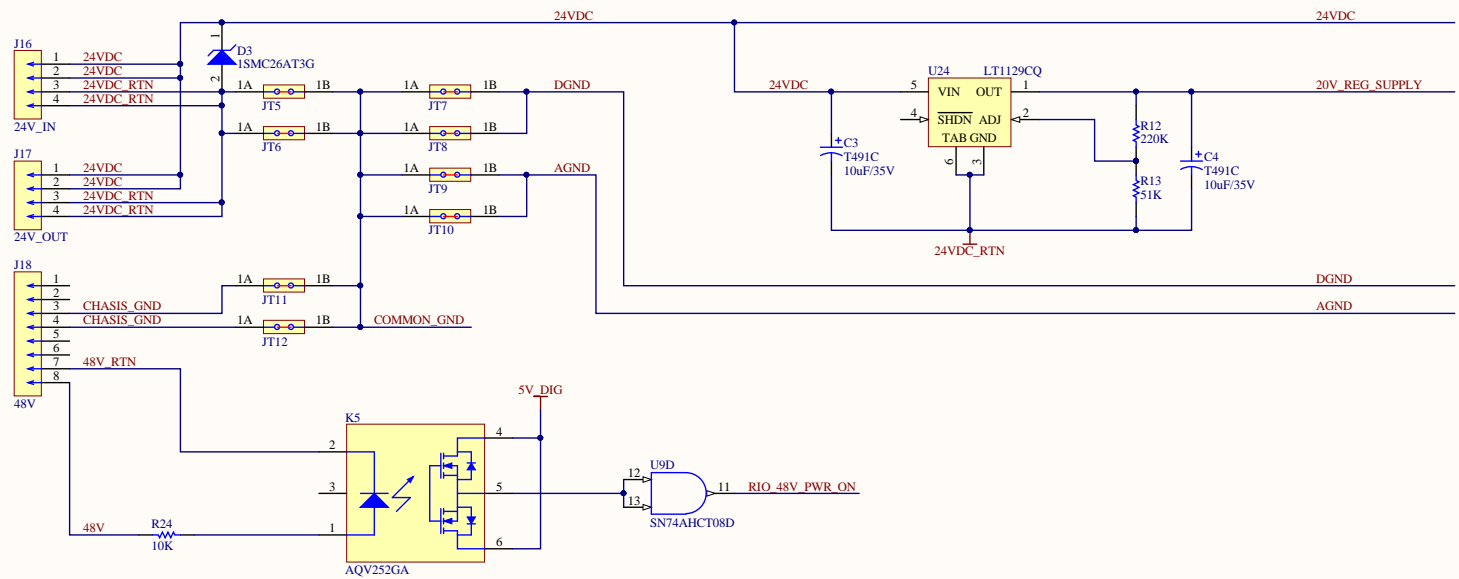
J10		ICM42000 ANALOG	
AGND	1	AGND	2
AI1 MIRROR_TEMP	2	AI1	3
AI3 MTRA_TEMP	3	AI3	4
AI5 AIR_PRSR	4	AI5	5
AI7 SPARE	5	AI7	6
AGND	6	AGND	7
-12V_ANA	7	-12V	8
5V_ANA	8	+5V	9
AGND	9	AGND	10
AI2 DRUM_TEMP	10	AI2	11
AI4 MTRB_TEMP	11	AI4	12
AI6 SPARE	12	AI6	13
AI8 SPARE	13	AI8	14
	14	N/C	15
+12V_ANA	15	+12V	

ICM42000 ANALOG

	UC OBSERVATORIES	K1DM3	KECK 1 DEPLOYABLE TERTIARY MIRROR
	DRAWN: SANDFORD		LE0400 Inner Drum
	ENGR: SANDFORD		DeployFOB analog signals
	872-LE0420-DeployFOB_r01.PrjPcb		872-LE0420-4
	872-LE0420-4-DeployFOB_Analog_SchDoc	REV 01	B 4/6



	LIC OBSERVATORIES DRAWN: SANDFORD ENGR: SANDFORD 872-LE0420-DeployFOB_r01.PrjPcb 872-LE0420-5-DeployFOB_SafetyRIO_SchDoc	K1DM3	KECK 1 DEPLOYABLE TERTIARY MIRROR LE0400 Inner Drum DeployFOB Safety RIO 872-LE0420-5	REV 01	B 5/6
---	---	--------------	--	--------	-------



	UC OBSERVATORIES	K1DM3	KECK 1 DEPLOYABLE TERTIARY MIRROR
	DRAWN: SANDFORD		LE0400 Inner Drum
	ENGR: SANDFORD		DeployFOB power & unused gates
	872-LE0420-DeployFOB_r01.Prj Pcb		872-LE0420-6
	872-LE0420-6-DeployFOB_power_SchDoc		