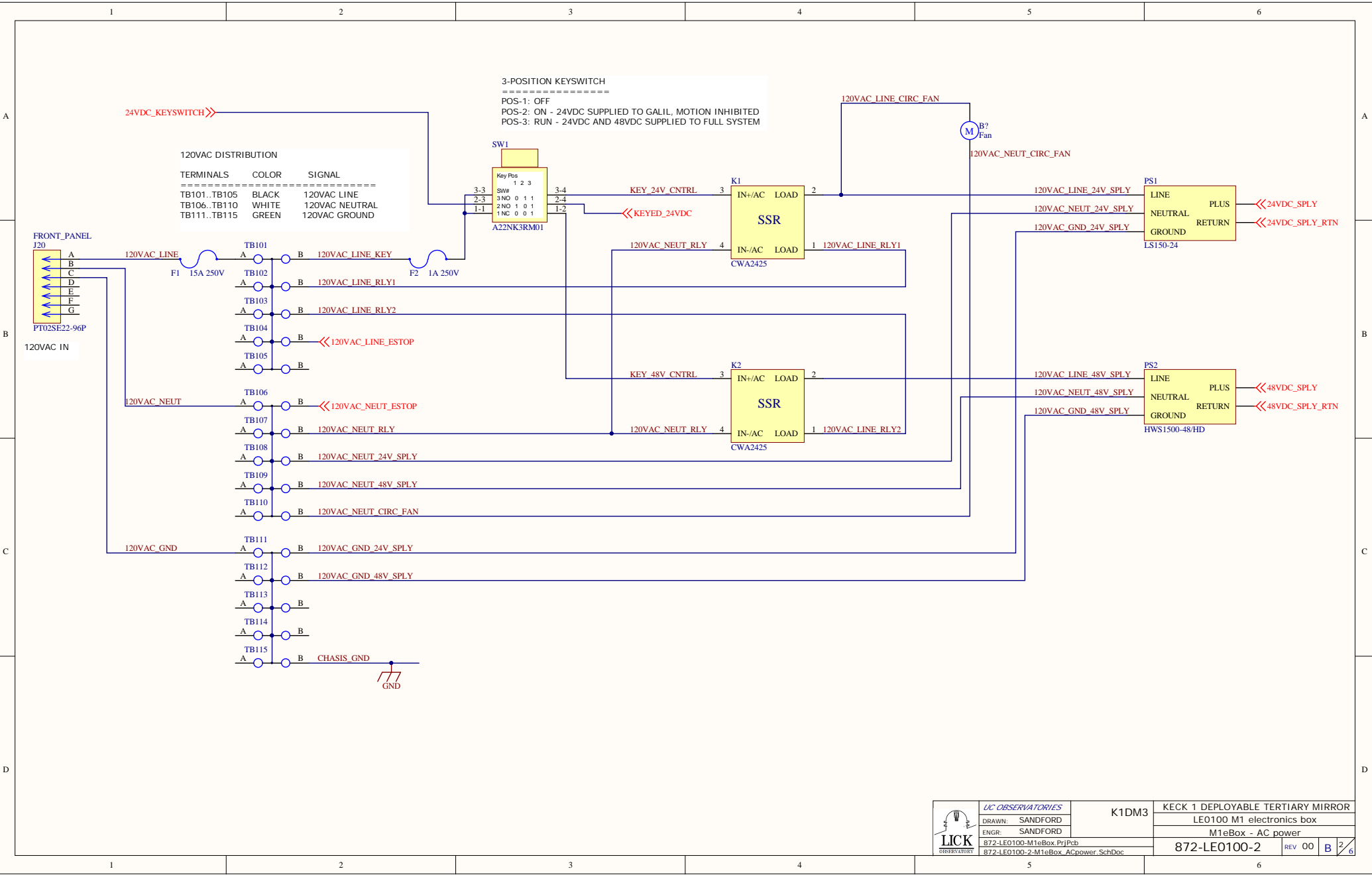
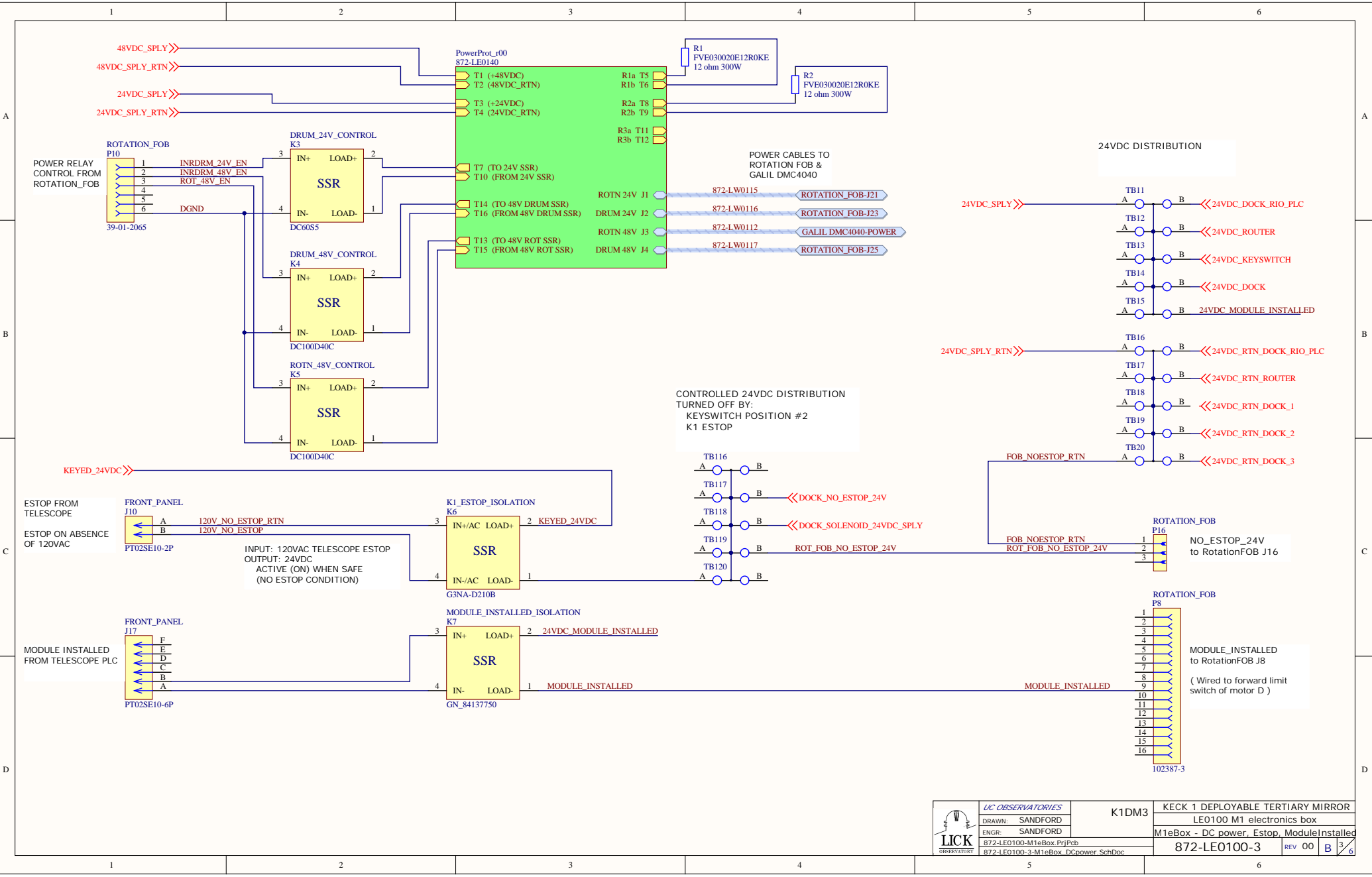


UC OBSERVATORIES
 DRAWN: SANDFORD
 ENGR: SANDFORD
 872-LE0100-M1eBox_PrtPcb
 872-LE0100-1-M1eBox_main_SchDoc

| | | |
|-------------------|-----------------------------------|-------|
| K1DM3 | KECK 1 DEPLOYABLE TERTIARY MIRROR | |
| | LE0100 M1 electronics box | |
| M1eBox - overview | | |
| 872-LE0100-1 | REV 00 | B 1/6 |



| | | | |
|-----------------------------|--|--|-----------------|
| <small>LEONARDO</small> | <i>UC OBSERVATORIES</i> | K1DM3 KECK 1 DEPLOYABLE TERTIARY MIRROR LE0100 M1 electronics box M1eBox - AC power 872-LE0100-2 | REV 00 B 2/6 |
| | DRAWN: SANDFORD | | |
| | ENGR: SANDFORD | | |
| | 872-LE0100-M1eBox.PrjPcb 872-LE0100-2-M1eBox.ACpower.SchDoc | | |



| | | | |
|------------------------------------|------------------|--------------|---|
| | UC OBSERVATORIES | K1DM3 | KECK 1 DEPLOYABLE TERTIARY MIRROR |
| | DRAWN: SANDFORD | | LEO100 M1 electronics box |
| | ENGR: SANDFORD | | M1eBox - DC power, Estop, ModuleInstalled |
| 872-LEO100-M1eBox.PrjPcb | | 872-LEO100-3 | REV 00 |
| 872-LEO100-3-M1eBox_DCpower_SchDoc | | | B 3/6 |

1 2 3 4 5 6

A

B

C

D

A

B

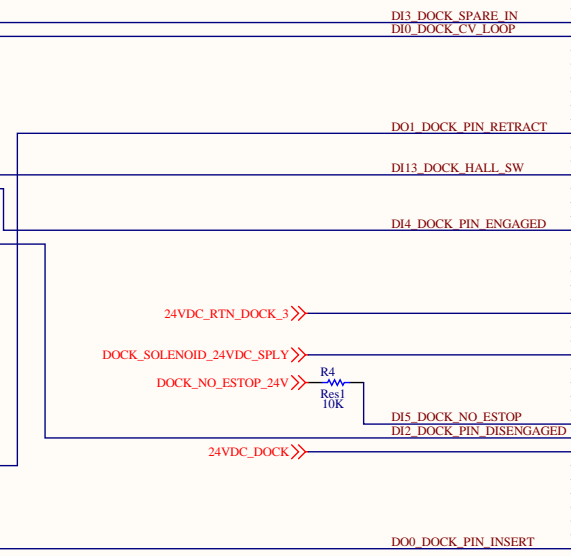
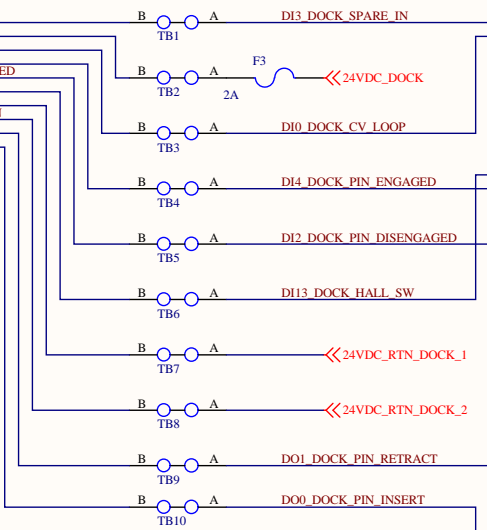
C

D

TO DOCK SOLENOID
AND SWITCHES AT
END OF M3 TOWER

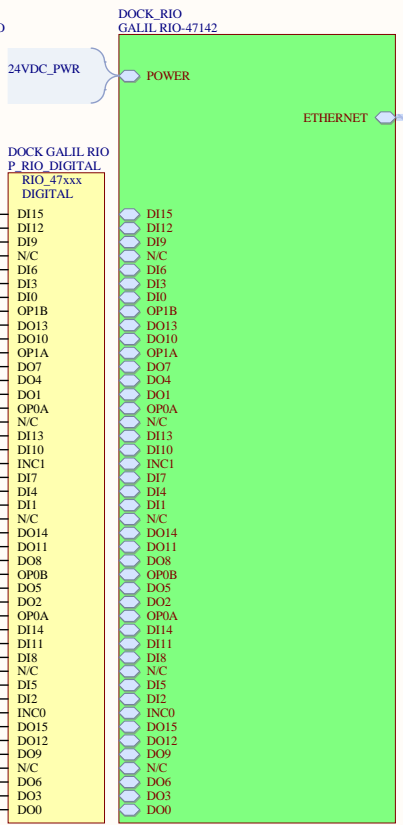
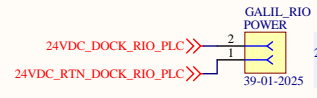
FRONT PANEL
J3

- A DOCK SPARE IN
- B DOCK LGC PWR
- C DOCK CV LOOP
- D DOCK PIN ENGAGED
- E DOCK PIN DISENGAGED
- F DOCK HALL
- G DOCK LGC GND
- H DOCK SOLENOID RTN
- J DOCK PIN RETRACT
- K DOCK PIN INSERT



- DOCK GALIL RIO
P RIO DIGITAL
RIO 47xxx
DIGITAL
- 1 DI15
 - 2 DI12
 - 3 DI9
 - 4 N/C
 - 5 DI6
 - 6 DI3
 - 7 DI0
 - 8 OP1B
 - 9 OP13
 - 10 DO10
 - 11 OP1A
 - 12 DO7
 - 13 DO4
 - 14 DO1
 - 15 OP0A
 - 16 N/C
 - 17 DI13
 - 18 DI10
 - 19 INC1
 - 20 DI7
 - 21 DI4
 - 22 DI1
 - 23 N/C
 - 24 DO14
 - 25 DO11
 - 26 DO8
 - 27 OP0B
 - 28 DO5
 - 29 DO2
 - 30 OP0A
 - 31 DI14
 - 32 DI11
 - 33 DI8
 - 34 N/C
 - 35 DI5
 - 36 DI2
 - 37 INC0
 - 38 DO15
 - 39 DO12
 - 40 DO9
 - 41 N/C
 - 42 DO6
 - 43 DO3
 - 44 DO0

180-044-113R001



UC OBSERVATORIES
DRAWN: SANDFORD
ENGR: SANDFORD
872-LE0100-M1eBox.PrjPcb
872-LE0100-4-M1eBox_DockClamp_SchDoc

K1DM3 KECK 1 DEPLOYABLE TERTIARY MIRROR
LE0100 M1 electronics box
M1eBox - Docking system
872-LE0100-4 REV 00 B 4/6

1 2 3 4 5 6

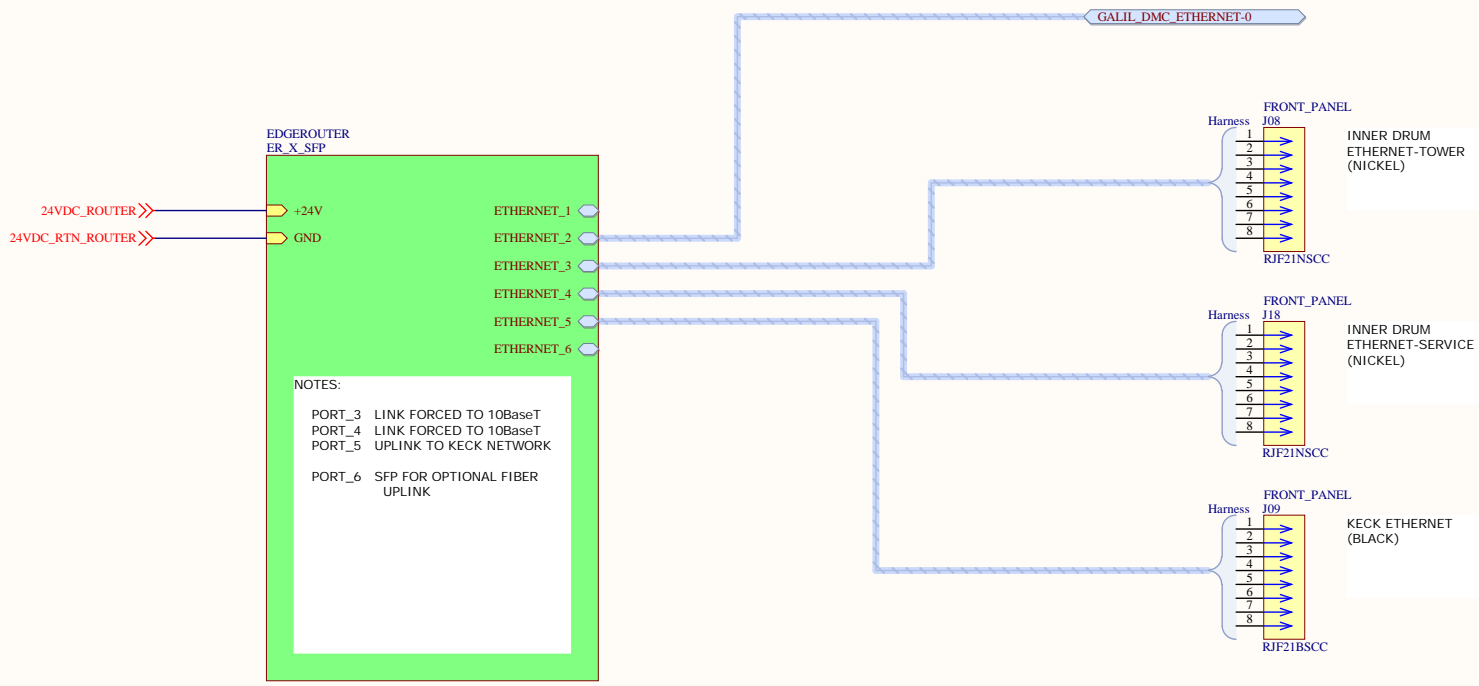
1 2 3 4 5 6

A

B

C

D



EDGEROUTER
ER_X_SFP

+24V
GND

ETHERNET_1
ETHERNET_2
ETHERNET_3
ETHERNET_4
ETHERNET_5
ETHERNET_6

NOTES:
 PORT_3 LINK FORCED TO 10BaseT
 PORT_4 LINK FORCED TO 10BaseT
 PORT_5 UPLINK TO KECK NETWORK
 PORT_6 SFP FOR OPTIONAL FIBER UPLINK

| | | | |
|--|------------------------------------|-------|-----------------------------------|
| | UC OBSERVATORIES | K1DM3 | KECK 1 DEPLOYABLE TERTIARY MIRROR |
| | DRAWN: SANDFORD | | LE0100 M1 electronics box |
| | ENGR: SANDFORD | | M1eBox - Networking |
| | 872-LE0100-M1eBox_PrtPcb | | 872-LE0100-5 |
| | 872-LE0100-5-M1eBox_Network_SchDoc | | REV 00 |
| | | | B 5/6 |

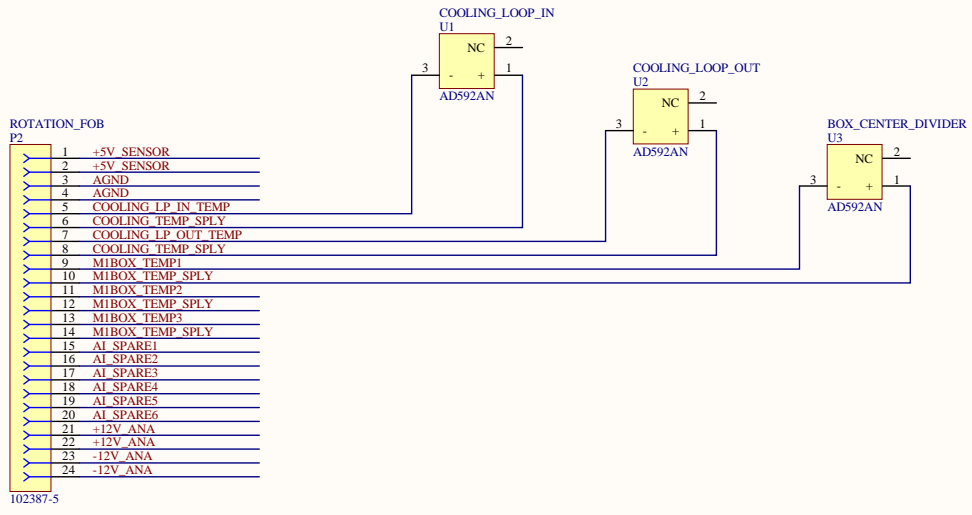
1 2 3 4 5 6

1 2 3 4 5 6

A

A

TEMPERATURE SENSORS



TO ROTATION FOB J2
(SPARES AND INTERNAL)

B

B


C

C

D

D

1 2 3 4 5 6

| | | | | |
|---|---|------------------------------------|-----------------------------------|---|
|  | UC OBSERVATORIES | K1DM3 | KECK 1 DEPLOYABLE TERTIARY MIRROR | |
| | DRAWN: SANDFORD | | LE0100 M1 electronics box | |
| | ENGR: SANDFORD | M1eBox - Internal sensors & spares | | |
| | 872-LE0100-M1eBox_PtrPcb 872-LE0100-6-M1eBox_Internal_SchDoc | 872-LE0100-6 | REV 00 | B |