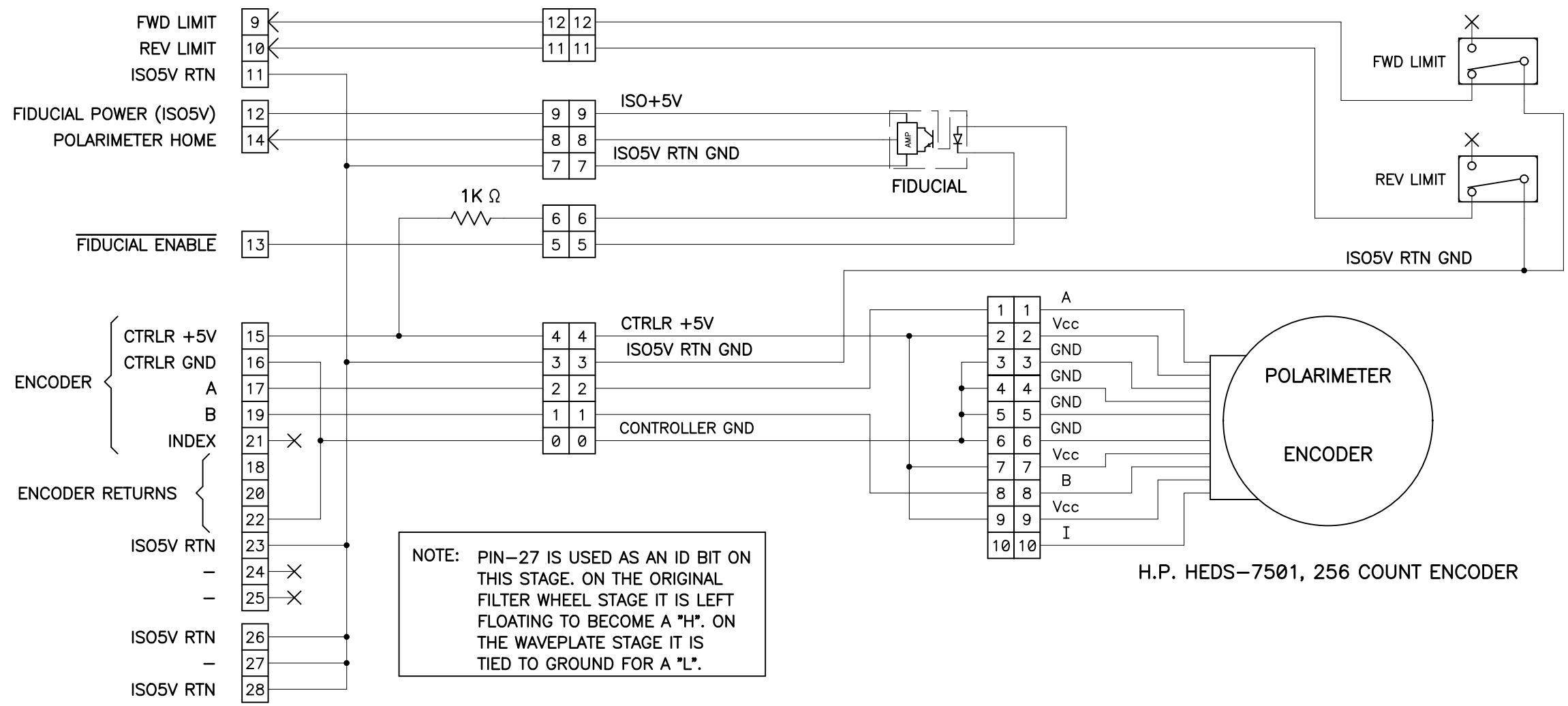


6V, 0.88A
GEAR REDUCTION = 80:1

AXIS - 1H

POLARIMETER: FOR USER FILTER SEE PREVIOUS SHEET



AMP CPC 17-28

NOTE: ENCODER SIGNALS AND FIDUCIAL ENABLE SIGNALS ARE REFERENCED TO GALIL CONTROLLER POWER SUPPLY

UNIVERSITY OF CALIFORNIA LICK OBSERVATORY		USER FILTER / POLARIMETER KAST SPECTROGRAPH	
DES'N BY: T. Ricketts, B. Alcott	ORIGIN DATE: 06-07-06	DWG. NO. EL-3718	NUM. 3 OF 3
Last SN	MODIFY DATE: 02-18-09	REV. B	
PRINT TIME: 13:15:50	PRINT DATE: Wed Feb 18, 2009		
PATH: KAST\		Kast_User_Filter_Polarimeter.sch	

REVISIONS http://loel.ucolick.org/manual/KAST/schematics/KAST_User_Filter_Polarimeter_sh_3.pdf

06-27-06	REV. B - TRANSLATED INTO PCAD, UPGRADE TO GALIL CONTROLLER
01-24-08	UPDATED TO GALIL DMC-4000 CONTROLLER
04-21-08	ADDED TWISTED PAIRS
05-02-08	MOVED HOME SENSOR LED POWER TO GALIL POWER SUPPLY FOR PROPER REFERENCE
01-23-09	UPDATED TERMINAL STRIPS, WIRING & LIMIT FOR PROPER REFERENCE
02-05-09	CORRECTED LIMIT SWITCH LABELS
02-13-09	ADDED I.D. BIT LABEL TO WAVEPLATE STAGE BY GROUNDING PIN 27.
02-18-09	ADDED ENCODER INFORMATION