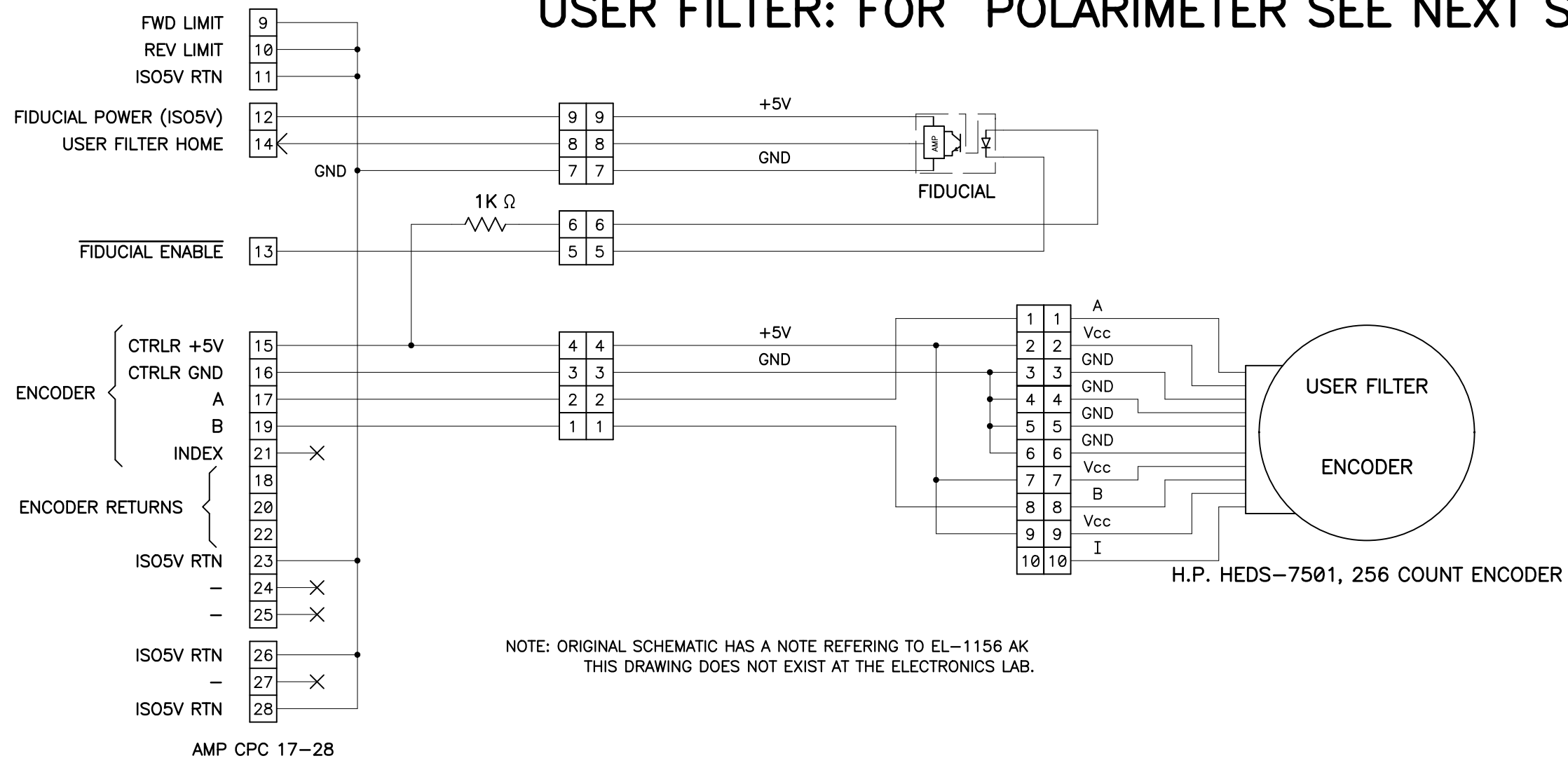


**AXIS - 1H**

**USER FILTER: FOR POLARIMETER SEE NEXT SHEET**



NOTE: ORIGINAL SCHEMATIC HAS A NOTE REFERING TO EL-1156 AK  
THIS DRAWING DOES NOT EXIST AT THE ELECTRONICS LAB.

NOTE: ENCODER SIGNALS AND FIDUCIAL ENABLE SIGNALS ARE REFERENCED TO GALIL CONTROLLER POWER SUPPLY

REVISIONS	<a href="http://loel.ucolick.org/manual/KAST/schematics/KAST_User_Filter_Polarimeter_sh_2.pdf">http://loel.ucolick.org/manual/KAST/schematics/KAST_User_Filter_Polarimeter_sh_2.pdf</a>
06-27-06	REV. B - TRANSALTED INTO PCAD, UPGRADE TO GALIL CONTROLLER
01-24-08	UPDATED TO GALIL DMC-4000 CONTROLLER
04-21-08	ADDED TWISTED PAIRS
05-02-08	MOVED HOME SENSOR LED POWER TO GALIL POWER SUPPLY FOR PROPER REFERENCE
02-18-09	GROUNDING BOTH CW & CCW LIMITS TO ISO-GND AT PINS 9 & 10 OF J8. ADDED ENCODER INFO.

UNIVERSITY OF CALIFORNIA LICK OBSERVATORY		USER FILTER / POLARIMETER KAST SPECTROGRAPH	
DES'N BY: T. Ricketts, B. Alcott	ORIGIN DATE: 06-07-06	DWG. NO.	NUM. 2 OF 3
Last SN	MODIFY DATE: 02-18-09	EL-3718	REV. B
PRINT TIME: 13:15:21	PRINT DATE: Wed Feb 18, 2009		
PATH: KAST\		Kast_User_Filter_Polarimeter.sch	