

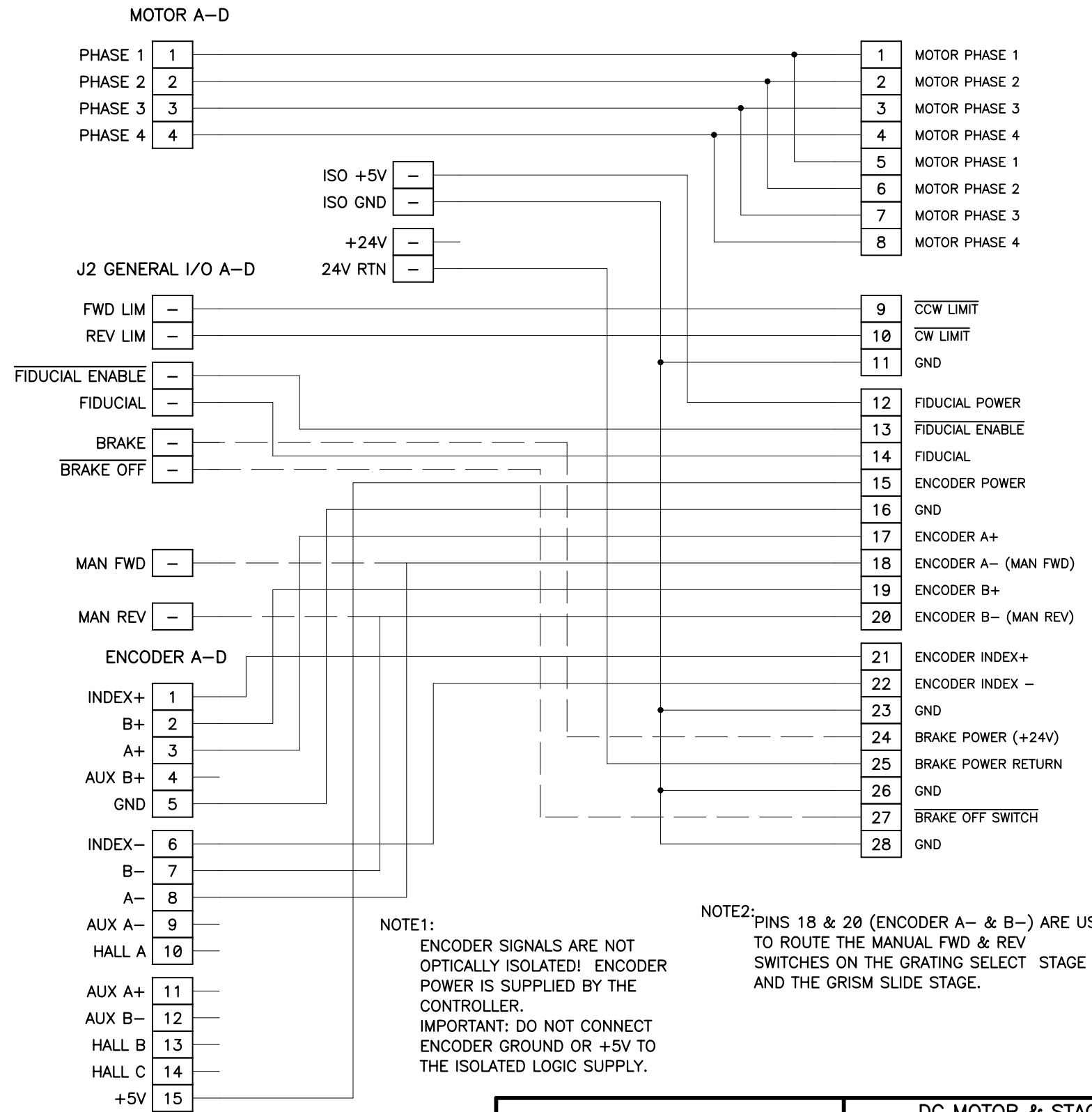
CONTROLLER #2, AXIS A - D
STAGE DEPENDANT PIN ASSIGNMENTS

J2 GENERAL I/O								EXT. I/O
AXIS	STAGE CONN	FWD LIM	REV LIM	(HOME) FIDUCIAL	MAN FWD	MAN REV	BRAKE/SWITCH	FIDUCIAL ENABLE
A	J9	36	22	7	X	X	X/X	16
B	J10	37	23	8	X	X	X/X	1
C	J11	38	24	9	X	X	X/X	31
D	J12	39	25	10	X	X	X/X	17

CONTROLLER 2

AXIS

- A LOWER FILTER
- B UPPER FILTER
- C SLIT
- D DECKER



UNIVERSITY OF CALIFORNIA LICK OBSERVATORY		DC MOTOR & STAGE CABLE PIN ASSIGNMENTS KAST SPECTROGRAPH	
DES'N BY: B. Alcott	ORIGIN DATE: 06-08-06	DWG. NO.	NUM. 4 OF 5
Last SN	MODIFY DATE:	EL-3709	REV. B
PRINT TIME: 08:23:59	PRINT DATE: Fri Jan 09, 2009		
PATH: KAST\		Kast_Stage_Cable.sch	

REVISIONS

--	--	--	--