

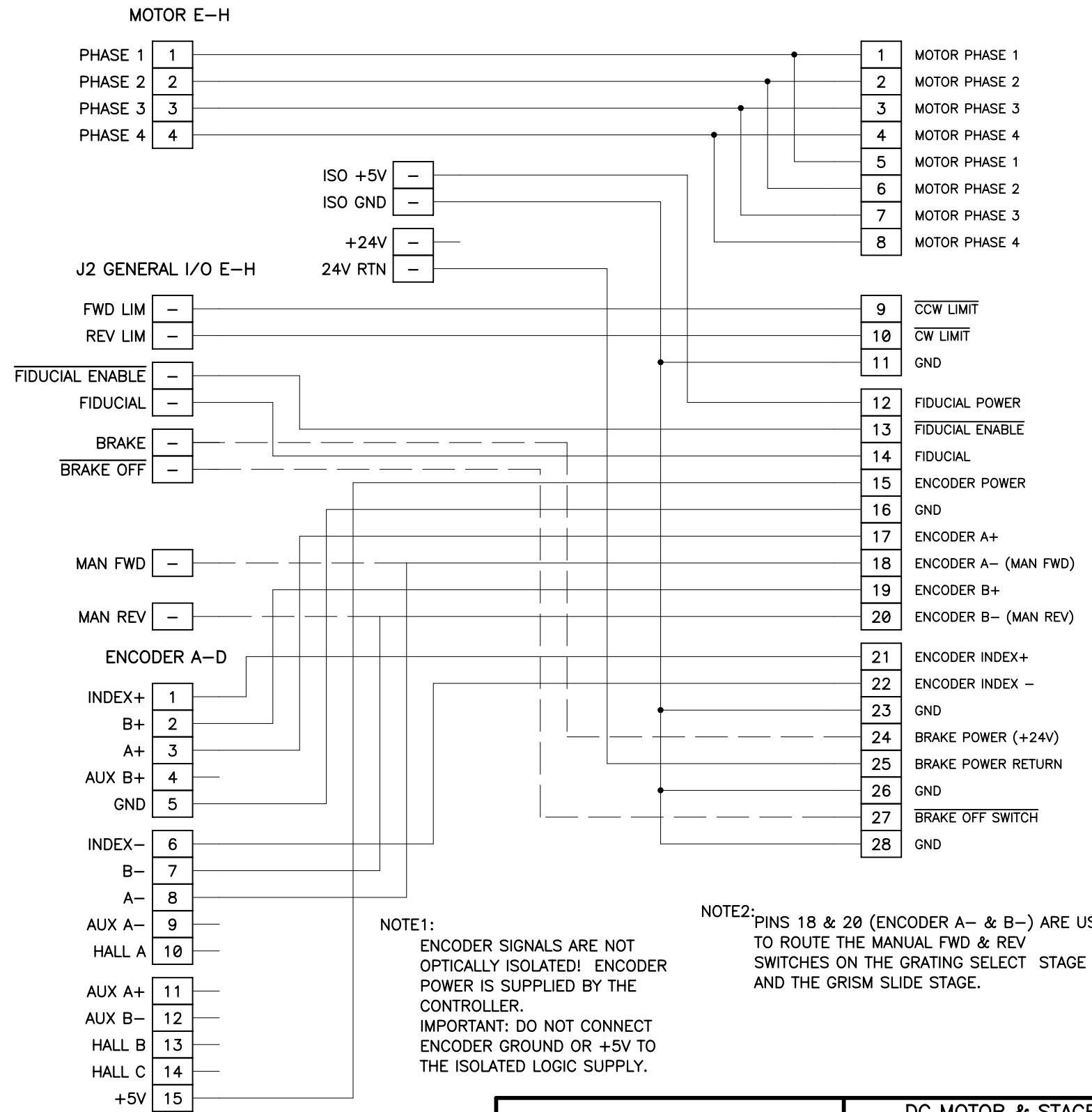
CONTROLLER #1, AXIS E-H
STAGE DEPENDANT PIN ASSIGNMENTS

J2 GENERAL I/O								EXT. I/O
AXIS	STAGE CONN	FWD LIM	REV LIM	(HOME) FIDUCIAL	MAN FWD	MAN REV	BRAKE/SWITCH	FIDUCIAL ENABLE
E	J5	36	22	7	X	X	X/X	2
F	J6	37	23	8	X	X	X/X	32
G	J7	38	24	9	X	X	X/X	18
H	J8	39	25	10	X	X	X/X	3

CONTROLLER 1

AXIS

- E (NOT ASSIGNED)
- F BLUE COLLIMATOR FOCUS
- G RED COLLIMATOR FOCUS
- H FILTER #3 / POLARIMETER



UNIVERSITY OF CALIFORNIA LICK OBSERVATORY		DC MOTOR & STAGE CABLE PIN ASSIGNMENTS KAST SPECTROGRAPH	
DES'N BY: B. Alcott	ORIGIN DATE: 06-08-06	DWG. NO.	NUM. 3 OF 5
Last SN	MODIFY DATE:	EL-3709	REV. B
PRINT TIME: 08:23:51	PRINT DATE: Fri Jan 09, 2009		
PATH: KAST\		Kast_Stage_Cable.sch	

REVISIONS

--	--	--	--