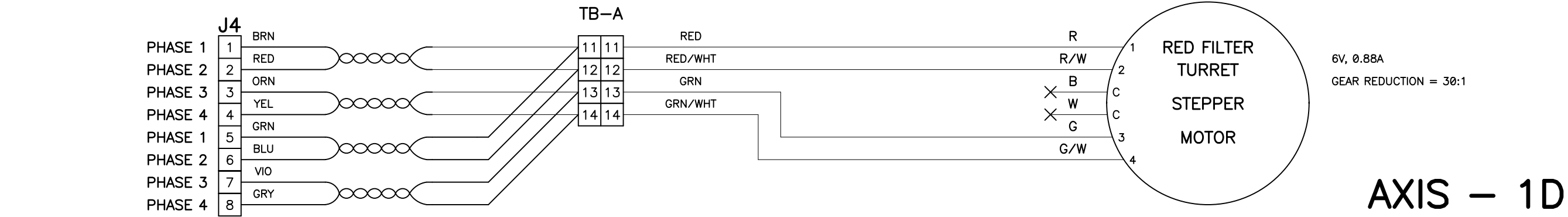
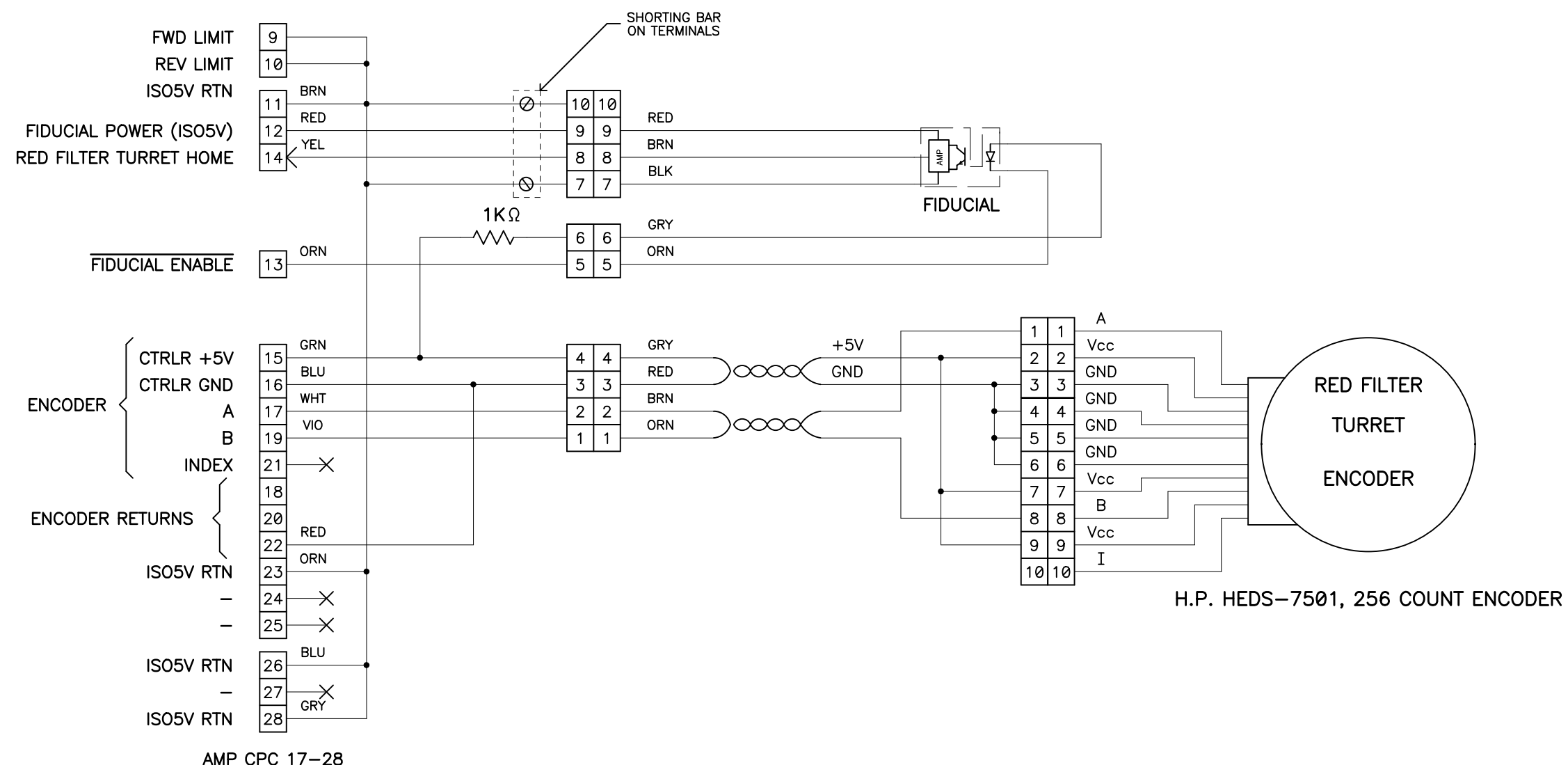


**MOTOR WIRE REMOVED FROM STAGE CABLES**



6V, 0.88A  
GEAR REDUCTION = 30:1

**AXIS - 1D**



H.P. HEDS-7501, 256 COUNT ENCODER

AMP CPC 17-28

**NOTE: ENCODER SIGNALS AND FIDUCIAL ENABLE SIGNALS ARE REFERENCED TO GALIL CONTROLLER POWER SUPPLY**

| REVISIONS | <a href="http://loel.ucolick.org/manual/KAST/schematics/KAST_Red_Filter_Turret_sh_2.sch.pdf">http://loel.ucolick.org/manual/KAST/schematics/KAST_Red_Filter_Turret_sh_2.sch.pdf</a> |
|-----------|---|
| 06-27-06  | REV. B - TRANSALTED INTO PCAD, UPGRADE TO GALIL CONTROLLER  |
| 01-24-08  | UPDATED TO GALIL DMC-4000 CONTROLLER  |
| 04-21-08  | ADDED TWISTED PAIRS   |
| 05-02-08  | MOVED HOME SENSOR LED POWER TO GALIL POWER SUPPLY FOR PROPER REFERENCE  |
| 01-09-09  | ADDED TB-1 TERMINAL 10 FOR GROUNDS. OLD TERMINALS 10 - 13 ARE NOW 11 - 14   |
| 02-17-09  | GROUNDED BOTH CW & CCW LIMITS TO ISO-GND AT PINS 9 & 10 OF J4. ADDED ENCODER INFO.  |

|  |                              |  |             |
|--|------------------------------|--|-------------|
| UNIVERSITY OF CALIFORNIA<br>LICK OBSERVATORY |                              | RED FILTER TURRET<br>KAST SPECTROGRAPH |             |
| DES'N BY: T. Ricketts, B. Alcott             | ORIGIN DATE: 06-07-06        | DWG. NO.                               | NUM. 2 OF 2 |
| Last SN                                      | MODIFY DATE: 02-17-09        | EL-3714                                | REV.<br>B   |
| PRINT TIME: 13:07:31                         | PRINT DATE: Wed Feb 18, 2009 |  |             |
| PATH: KAST\                                  |                              | Kast_Red_Filter_Turret.sch             |             |