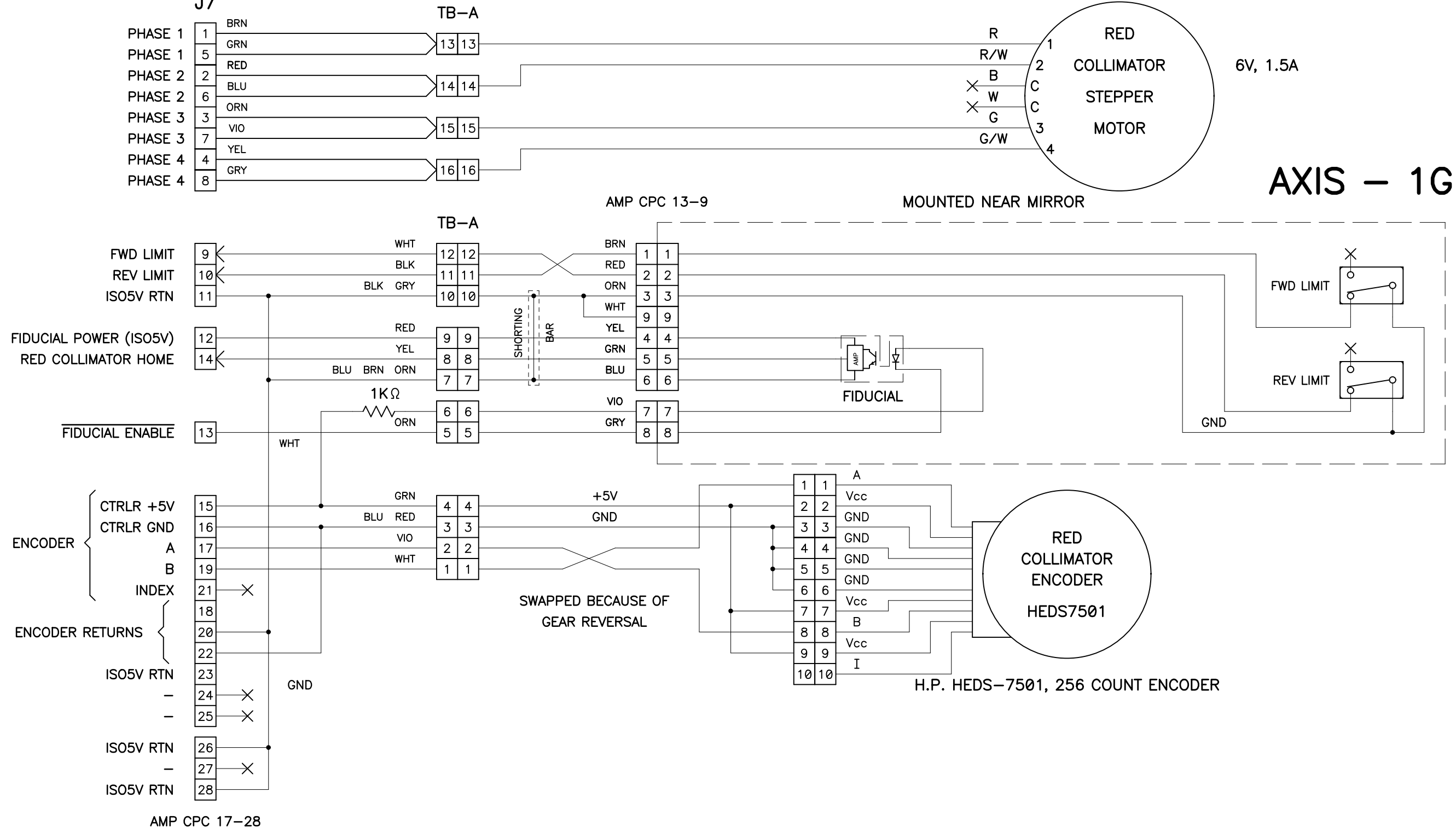


MOTOR WIRE REMOVED FROM STAGE CABLES



AXIS - 1G

NOTE: ENCODER SIGNALS AND FIDUCIAL ENABLE SIGNALS ARE REFERENCED TO GALIL CONTROLLER POWER SUPPLY

UNIVERSITY OF CALIFORNIA LICK OBSERVATORY		RED COLLIMATOR STAGE KAST SPECTROGRAPH	
DES'N BY: T. Ricketts, B. Alcott	ORIGIN DATE: 06-07-06	DWG. NO.	NUM. 2 OF 2
Last SN	MODIFY DATE: 02-18-09	EL-3717	REV. B
PRINT TIME: 13:11:56	PRINT DATE: Wed Feb 18, 2009		
PATH: KAST\		Kast_Red_Collimator_Focus.sch	

REVISIONS http://loel.ucolick.org/manual/KAST/schematics/KAST_Red_Collimator_sh_2.pdf

06-27-06	REV. B - TRANSALTED INTO PCAD, UPGRADE TO GALIL CONTROLLER
01-24-08	UPDATED TO GALIL DMC-4000 CONTROLLER
03-20-08	VERIFIED AND CORRECTED WIRING OF OLD SYSTEM
04-21-08	ADDED TWISTED PAIRS
05-02-08	MOVED HOME SENSOR LED POWER TO GALIL POWER SUPPLY FOR PROPER REFERENCE
02-05-09	CORRECTED LIMIT SWITCH LABELS
02-18-09	ADDED ENCODER INFORMATION.MOVED BOTH LIMITS TO THE NC POSITION.