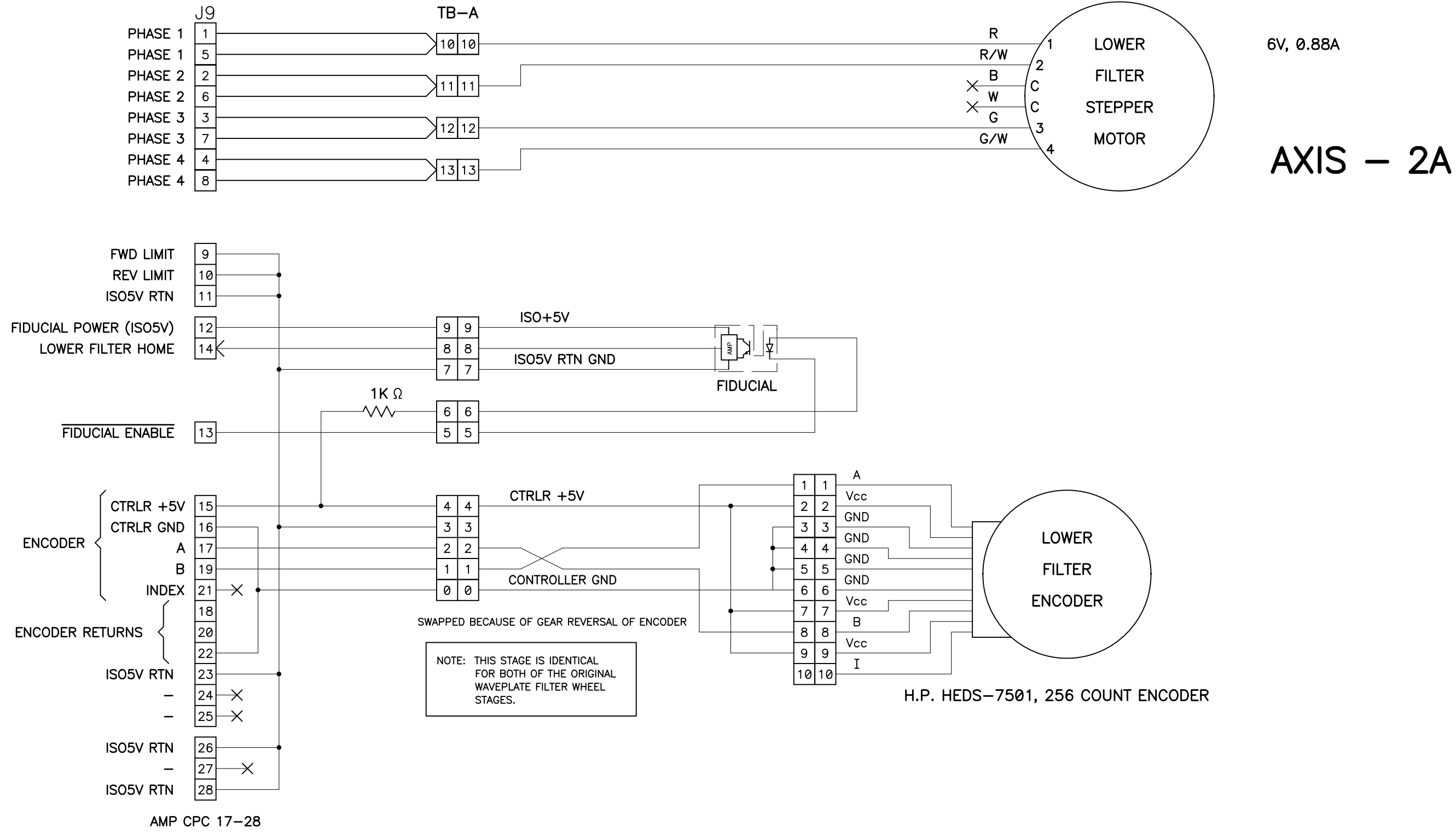


MOTOR WIRE REMOVED FROM STAGE CABLES



NUM. 2 OF 2

LOWER FILTER STAGE KAST SPECTROGRAPH

EL-3719

NOTE: ENCODER SIGNALS AND FIDUCIAL ENABLE SIGNALS ARE REFERENCED TO GALIL CONTROLLER POWER SUPPLY

REVISIONS	http://loel.ucolick.org/manual/KAST/schematics/KAST_Lower_Filter_sh_2.pdf
06-27-06	REV. B - TRANSALTED INTO PCAD, UPGRADE TO GALIL CONTROLLER
01-24-08	UPDATED TO GALIL DMC-4000 CONTROLLER
04-22-08	ADDED TWISTED PAIRS
05-02-08	MOVED HOME SENSOR LED POWER TO GALIL POWER SUPPLY FOR PROPER REFERENCE
01-23-09	UPDATED TERMINAL STRIPS, WIRING & LIMIT FOR PROPER REFERENCE
02-18-09	GROUNDING BOTH CW & CCW LIMITS TO ISO-GND AT PINS 9 & 10 OF J9. ADDED ENCODER INFO.

UNIVERSITY OF CALIFORNIA LICK OBSERVATORY		LOWER FILTER STAGE KAST SPECTROGRAPH	
DES'N BY: T. Ricketts, B. Alcott	ORIGIN DATE: 06-07-06	DWG. NO.	NUM. 2 OF 2
Last SN	MODIFY DATE: 02-18-09	EL-3719	REV. B
PRINT TIME: 13:17:52	PRINT DATE: Wed Feb 18, 2009		
PATH: KAST\		Kast_Lower_Filter.sch	