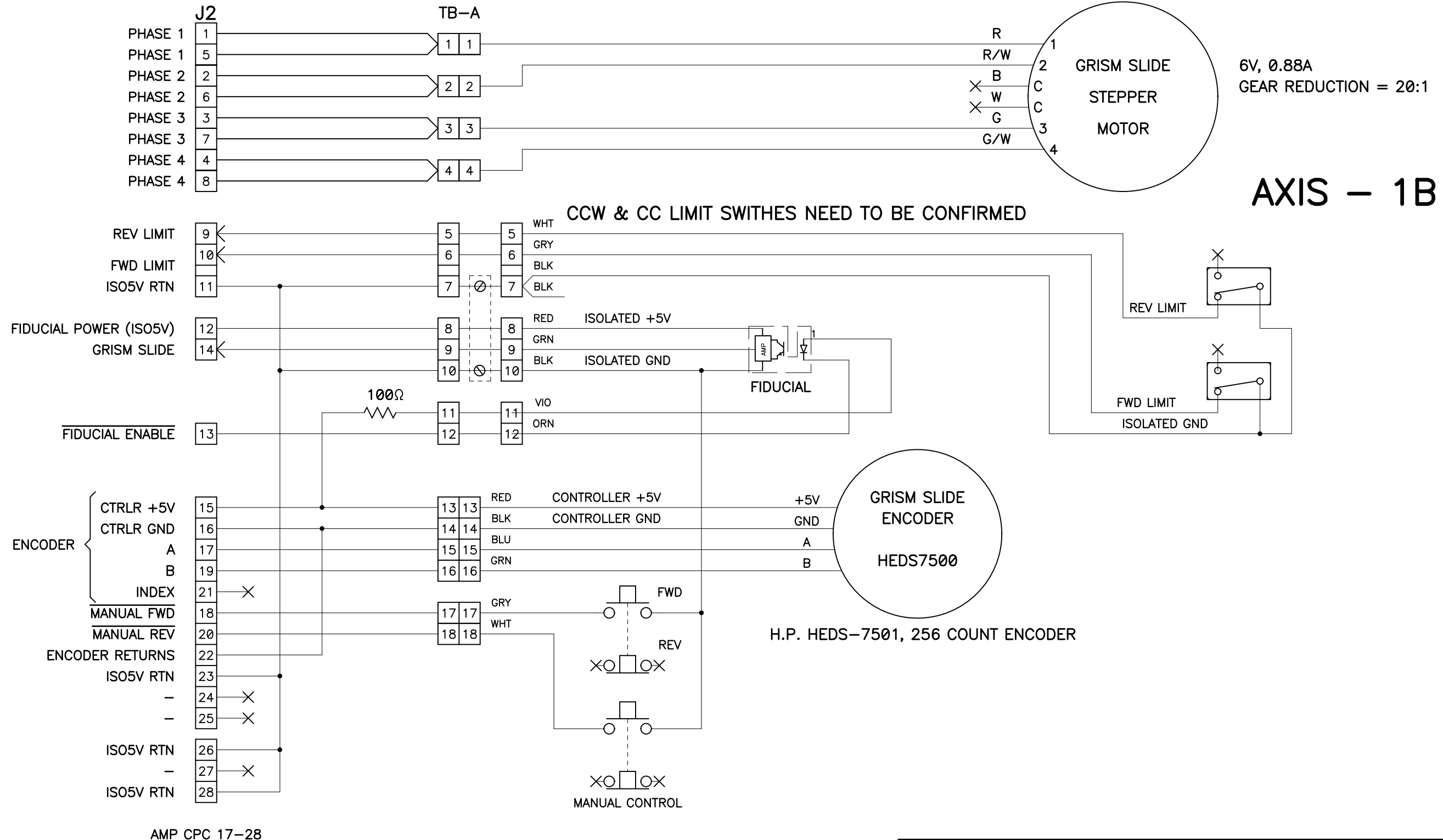


MOTOR WIRE REMOVED FROM STAGE CABLES



NOTE: ENCODER SIGNALS AND FIDUCIAL ENABLE SIGNALS ARE REFERENCED TO GALIL CONTROLLER POWER SUPPLY

REVISIONS	http://loel.ucolick.org/manual/KAST/schematics/KAST_Grism_Slide_sh_2.pdf
06-27-06 REV. B - TRANSALTED INTO PCAD, UPGRADE TO GALIL CONTROLLER	
012-24-08 UPDATED TO DMC-4000 CONTROLLER	
04-17-08 ADDED TWISTED PAIR DESIGNATIONS	
05-02-08 MOVED HOME SENSOR LED POWER TO GALIL POWER SUPPLY FOR PROPER REFERENCE	
01-27-09 UPDATED TERMINAL STRIPS, WIRING & LIMIT FOR PROPER REFERENCE	
02-17-09 ADDED ENOCODER INFORMATION	

UNIVERSITY OF CALIFORNIA LICK OBSERVATORY		GRISM SLIDE KAST SPECTROGRAPH	
DES'N BY: T. Ricketts, B. Alcott	ORIGIN DATE: 06-05-06	DWG. NO.	NUM. 2 OF 2
Last SN	MODIFY DATE: 02-17-09	EL-3712	REV. B
PRINT TIME: 13:04:21	PRINT DATE: Wed Feb 18, 2009		
PATH: KAST\		Kast_Grism_Slide.sch	