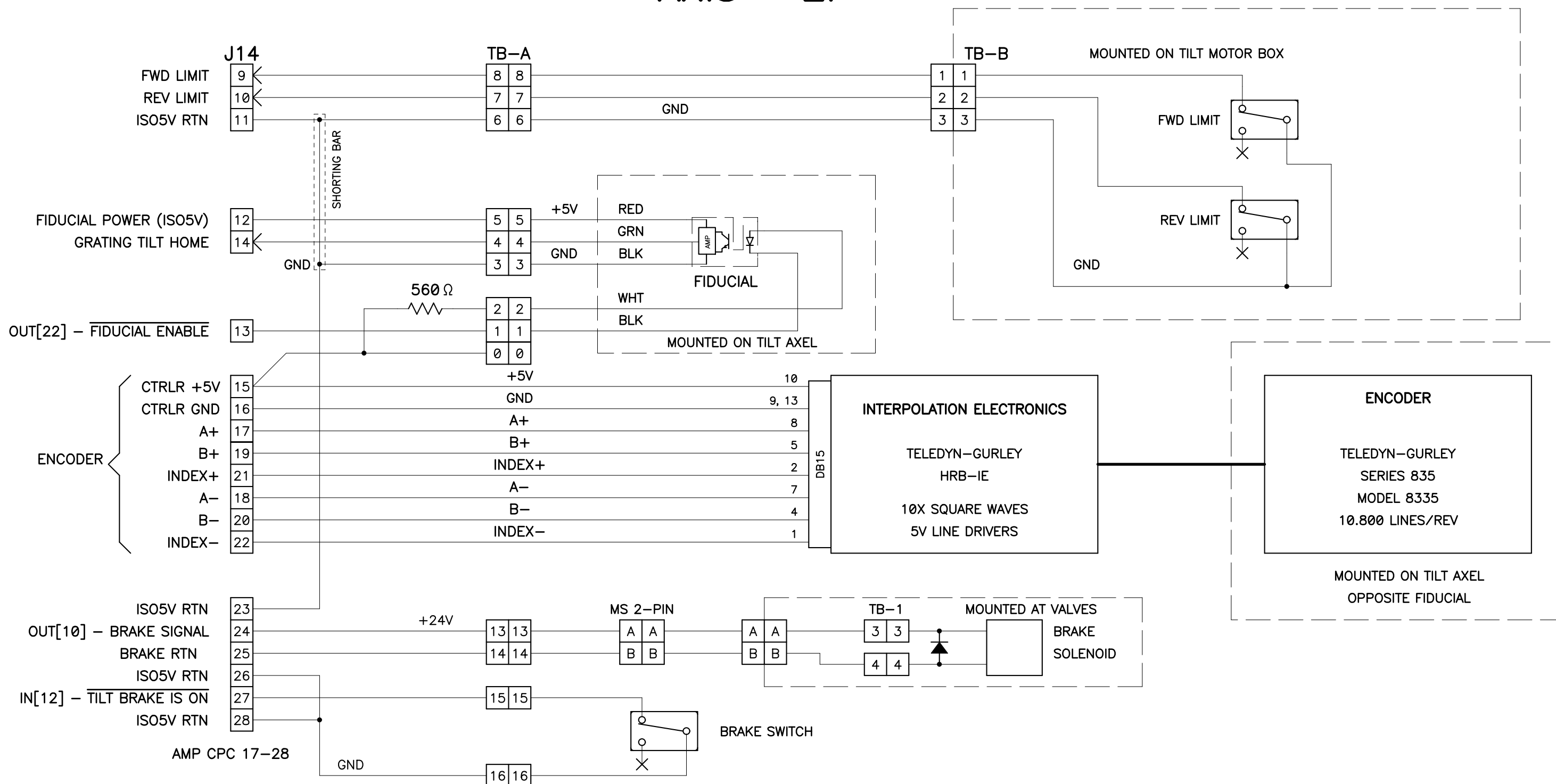


# AXIS - 2F

(SEE SHEET 3 FOR MOTOR WIRING)



NOTE: ENCODER SIGNALS AND FIDUCIAL ENABLE SIGNALS ARE REFERENCED TO GALIL CONTROLLER POWER SUPPLY

[http://loel.ucolick.org/manual/KAST/schematics/KAST\\_Grating\\_Tilt\\_sh\\_2.pdf](http://loel.ucolick.org/manual/KAST/schematics/KAST_Grating_Tilt_sh_2.pdf)

UNIVERSITY OF CALIFORNIA LICK OBSERVATORY		GRATING TILT STAGE KAST SPECTROGRAPH	
DES'N BY: T. Ricketts, B. Alcott	ORIGIN DATE: 06-09-06	DWG. NO. <b>EL-3726</b>	NUM. 2 OF 3
Last SN	MODIFY DATE: 011-04-09		REV. <b>B</b>
PRINT TIME: 12:44:08	PRINT DATE: Wed Nov 04, 2009		
PATH: KAST\		Kast_Grating_Tilt.sch	

REVISIONS	
01-24-08	UPGRADED TO DMC-4000 CONTROLLER
03-20-08	VERIFIED AND CORRECTED WIRING OF OLD SYSTEM
04-22-08	ADDED TWISTED PAIRS
05-02-08	MOVED HOME SENSOR LED POWER TO GALIL POWER SUPPLY FOR PROPER REFERENCE
01-28-09	ADD TB-1 AND SNUBBING DIODE AT BRAKE SOLENOID, CHANGE BRAKE LIMIT AND STAGE LIMITS TO NORMALLY CLOSED
02-05-09	CORRECTED LIMIT SWITCH LABELS
02-18-09	ADDED TO TB-A, BLOCK *0*, FOR CONTROLLER +5V FOR THE FIDUCIAL SENSOR LED POWER
04-27-09	ADDED FIDUCIAL ENABLE I/O BIT TO LABEL
04-29-09	MOVED MOTOR WIRING TO J25 TO ELIMINATE MOTOR NOISE ON INDEX PULSE LINE, SEE SHEET 3