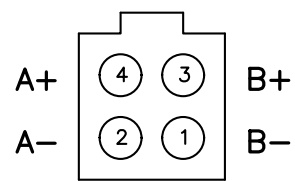
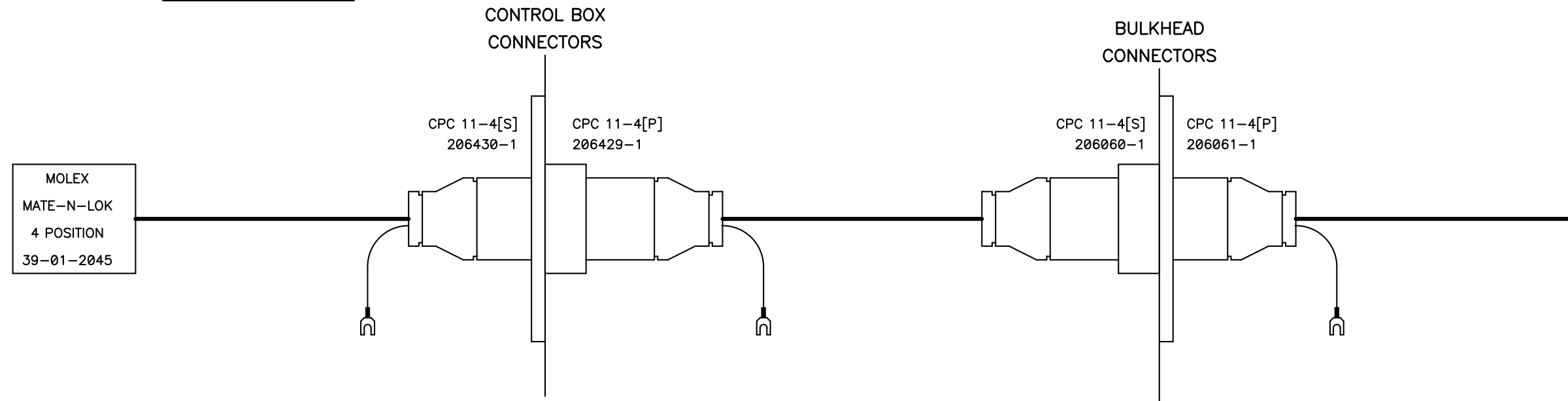
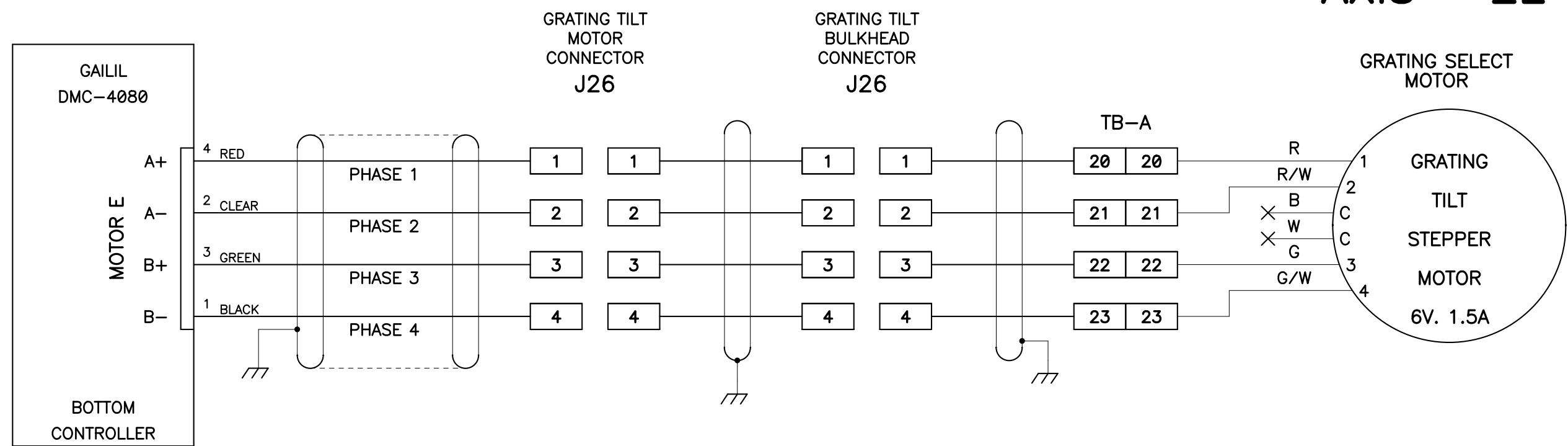


DMC-4080 MOTOR CONNECTOR



CONNECTOR: 4-PIN MOLEX P/N 39-01-2045  
 TERMINAL PINS, MOLEX P/N 44476-3112

AXIS - 2E



UNIVERSITY OF CALIFORNIA LICK OBSERVATORY  
 GRATING SELECT STAGE KAST SPECTROGRAPH

REVISIONS

- 06-27-06 REV. B - TRANSALTED INTO PCAD, UPGRADE TO GALIL CONTROLLER
- 01-24-08 REDAWN FOR DMC-4080 CONTROLLER
- 04-22-08 ADDED TWISTED PAIRS
- 05-02-08 MOVED HOME SENSOR LED POWER TO GALIL POWER SUPPLY FOR PROPER REFERENCE
- 01-28-09 ADDED TB-1 FOR BRAKE SOLENOID, REWIRED BRAKE LIMITS FOR NORMALLY CLOSED, AND REWIRED STAGE LIMITS FOR NORMALLY CLOSED
- 02-05-09 CORRECTED LIMIT SWITCH LABELS
- 02-18-09 ADDED ENCODER INFRMATION, REMOVED CAPS FROM FWD& REV SWITCHES.
- 03-17-09 RELABELED BRAKE SWITCH SIGNAL

DES'N BY: T. Ricketts, B. Alcott	ORIGIN DATE: 06-07-06	DWG. NO.	NUM. 3 OF 3
Last SN	MODIFY DATE: 11-04-09	EL-3725	REV. B
PRINT TIME: 12:38:05	PRINT DATE: Wed Nov 04, 2009		Kast_Grating_Select.sch
PATH: KAST\			