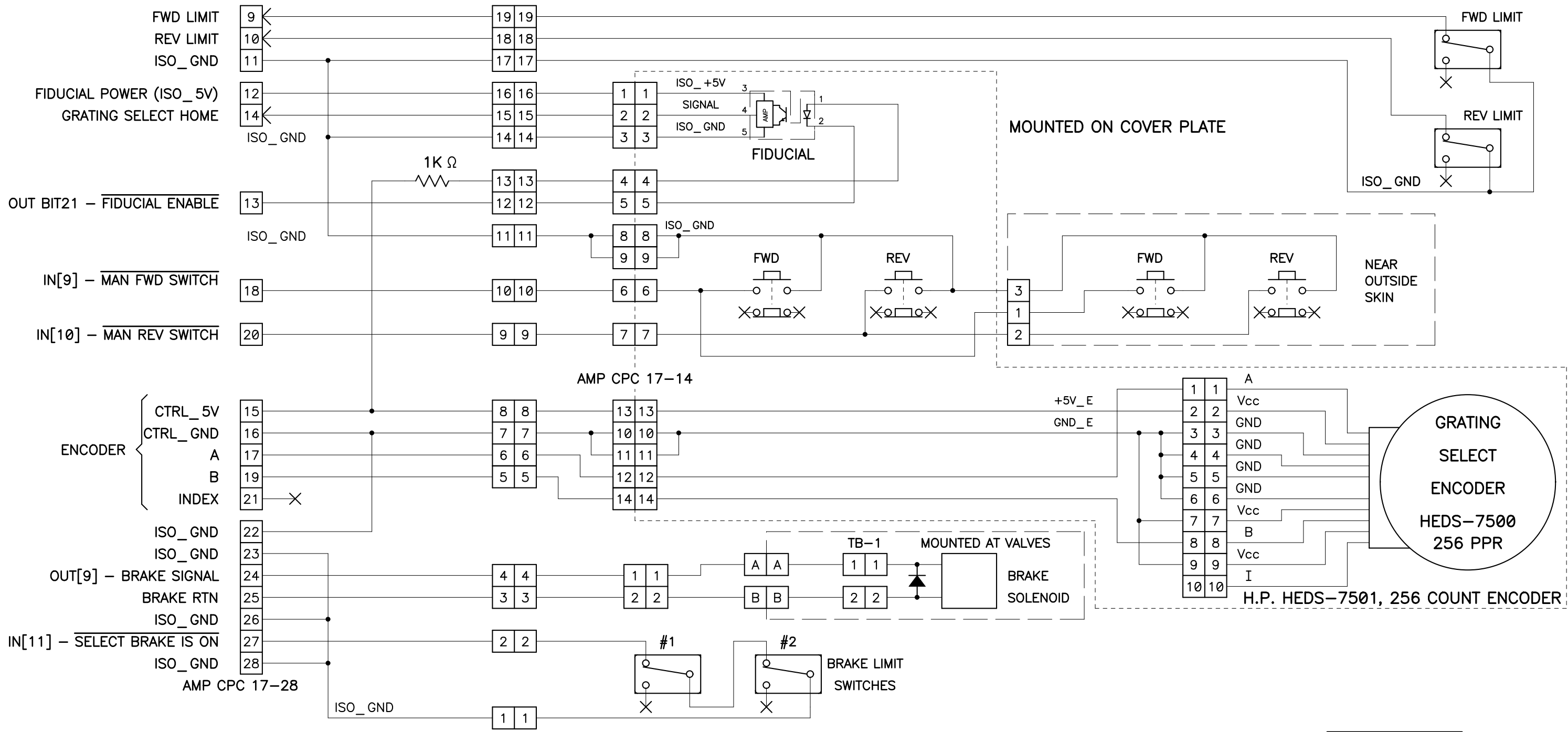


AXIS - 2E



NOTE: ENCODER SIGNALS AND FIDUCIAL ENABLE SIGNALS ARE REFERENCED TO GALIL CONTROLLER POWER SUPPLY

UNIVERSITY OF CALIFORNIA LICK OBSERVATORY		GRATING SELECT STAGE KAST SPECTROGRAPH	
DES'N BY: T. Ricketts, B. Alcott	ORIGIN DATE: 06-07-06	DWG. NO. EL-3725	NUM. 2 OF 3
Last SN	MODIFY DATE: 11-04-09	REV. B	
PRINT TIME: 12:37:43	PRINT DATE: Wed Nov 04, 2009		
PATH: KAST\		Kast_Grating_Select.sch	

REVISIONS http://loel.liclick.org/manual/KAST/schematics/KAST_Grating_Select_sh_2.pdf

06-27-06	REV. B - TRANSALTED INTO PCAD, UPGRADE TO GALIL CONTROLLER
01-24-08	REDAWN FOR DMC-4080 CONTROLLER
04-22-08	ADDED TWISTED PAIRS
05-02-08	MOVED HOME SENSOR LED POWER TO GALIL POWER SUPPLY FOR PROPER REFERENCE
01-28-09	ADDED TB-1 FOR BRAKE SOLENOID, REWIRED BRALE LIMITS FOR NORMALLY CLOSED, AND REWIRED STAGE LIMITS FOR NORMALLY CLOSED
02-05-09	CORRECTED LIMIT SWITCH LABELS
02-18-09	ADDED ENCODER INFRMATION, REMOVED CAPS FROM FWD& REV SWITCHES.
03-17-09	RELABELLED BRAKE SWITCH SIGNAL