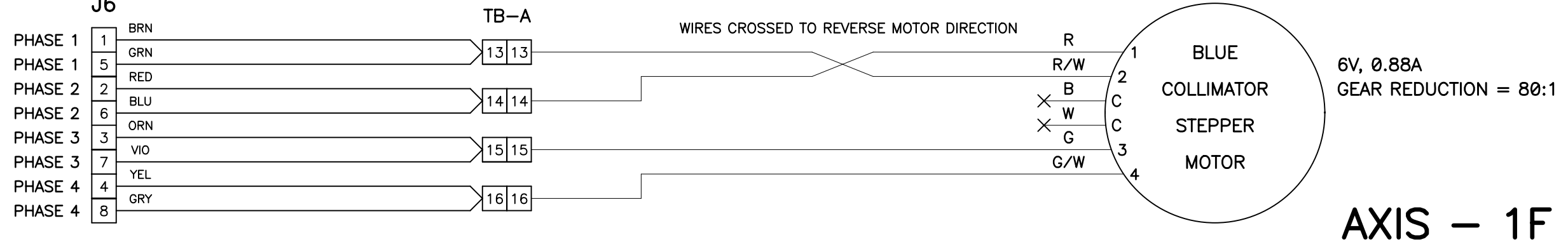
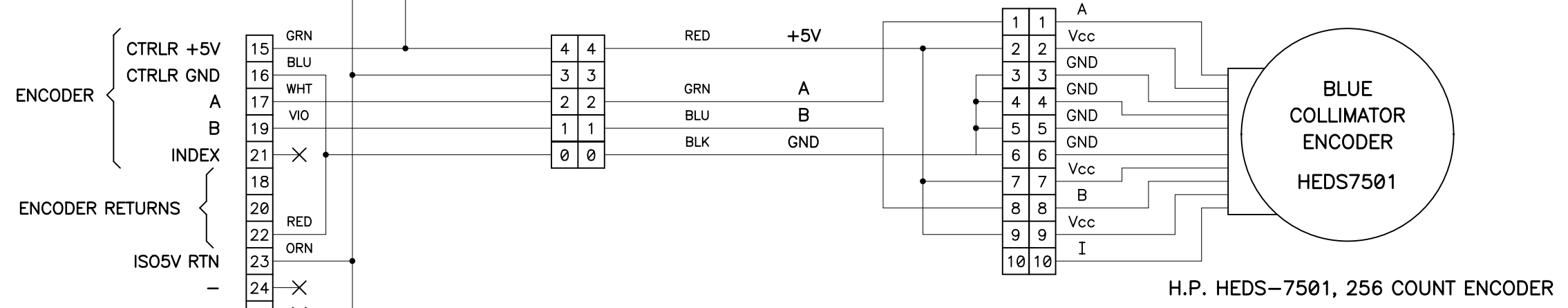
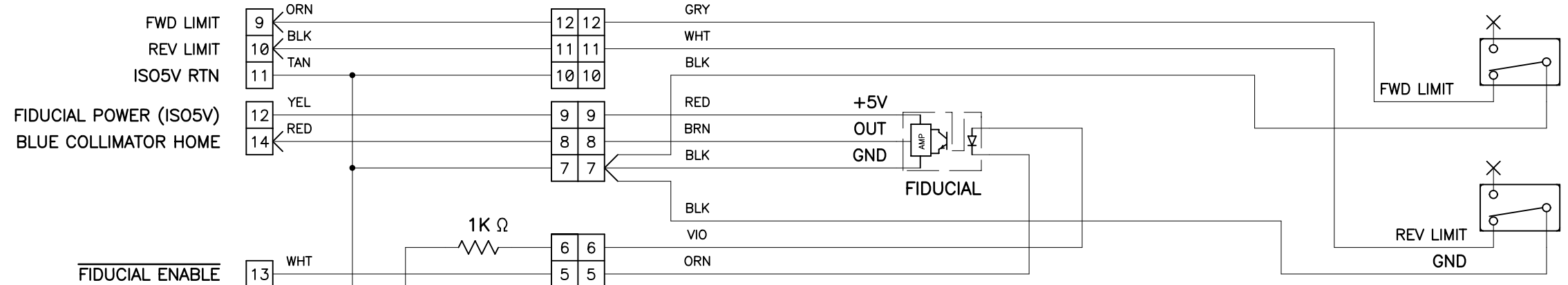


MOTOR WIRE REMOVED FROM STAGE CABLES



NOTE: SWAPPING MOTOR REVERSES SENSE OF LIMITS.



NOTE: ENCODER SIGNALS AND FIDUCIAL ENABLE SIGNALS ARE REFERENCED TO GALIL CONTROLLER POWER SUPPLY

REVISIONS	http://loel.ucolick.org/manual/KAST/schematics/KAST Blue Collimator Focus sh 2.pdf
06-27-06	REV. B - TRANSALTED INTO PCAD, UPGRADE TO GALIL CONTROLLER
01-23-08	UPDATED TO GALIL DMC-4000 CONTROLLER
04-21-08	ADDED TWISTED PAIRS
05-02-08	MOVED HOME SENSOR LED POWER TO GALIL POWER SUPPLY FOR PROPER REFERENCE
01-26-09	UPDATED TERMINAL STRIPS, WIRING & LIMIT FOR PROPER REFERENCE
02-05-09	CORRECTED LIMIT LABELS
02-18-09	ADDED ENCODER INFORMATION.
03-11-09	ADDED WIRE COLORS

UNIVERSITY OF CALIFORNIA LICK OBSERVATORY		BLUE COLLIMATOR FOCUS STAGE KAST SPECTROGRAPH	
DES'N BY: T. Ricketts, B. Alcott	ORIGIN DATE: 06-07-06	DWG. NO.	NUM. 2 OF 2
Last SN	MODIFY DATE: 03-11-09	EL-3716	REV. B
PRINT TIME: 12:11:26	PRINT DATE: Wed Mar 11, 2009		
PATH: KAST\		Kast_Blue_Collimator_Focus.sch	