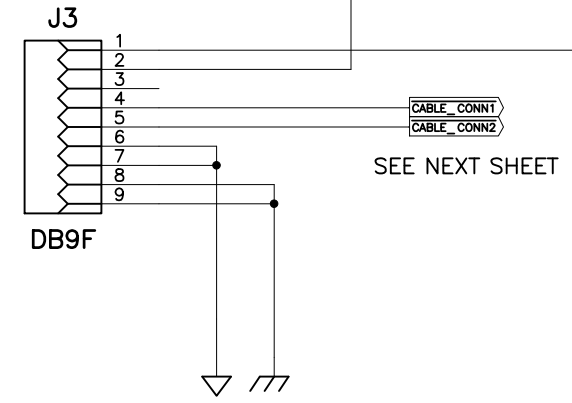


* THESE CAPS LOCATED AT POWER PINS OF U1

- DB9 SIGNAL ASSIGNMENTS
- 1 DIODE2
 - 8 AGND
 - 2 DIODE1
 - 9 AGND
 - 3 N/C
 - 6 DGND
 - 4 CABLE1_CONN
 - 7 DGND
 - 5 CABLE2_CONN



| | | | |
|--|------------------------------|--|-------------|
| UNIVERSITY OF CALIFORNIA LICK OBSERVATORY | | DEWAR MONITOR SYSTEM QUAD I SOURCE AND AMPLIFIER | |
| DES'N BY: M Wei | ORIGIN DATE: 03-22-11 | DWG. NO. | NUM. 1 OF 2 |
| Last SN | MODIFY DATE: 04-05-11 | EL-5010 | REV. A |
| PRINT TIME: 14:15:23 | PRINT DATE: Tue Aug 09, 2011 | | |
| PATH: DMS\boards\DMS_quad_I_source\ | | DMS_quad_I_source.SCH | |

REVISIONS http://loel.ucolick.org/manual/DMS/schematics/DMS_quad_I_source_sh_1.pdf
 04-05-11 ADDED CLAMPING DIODES TO PROTECT RIO'S ANALOG INPUTS