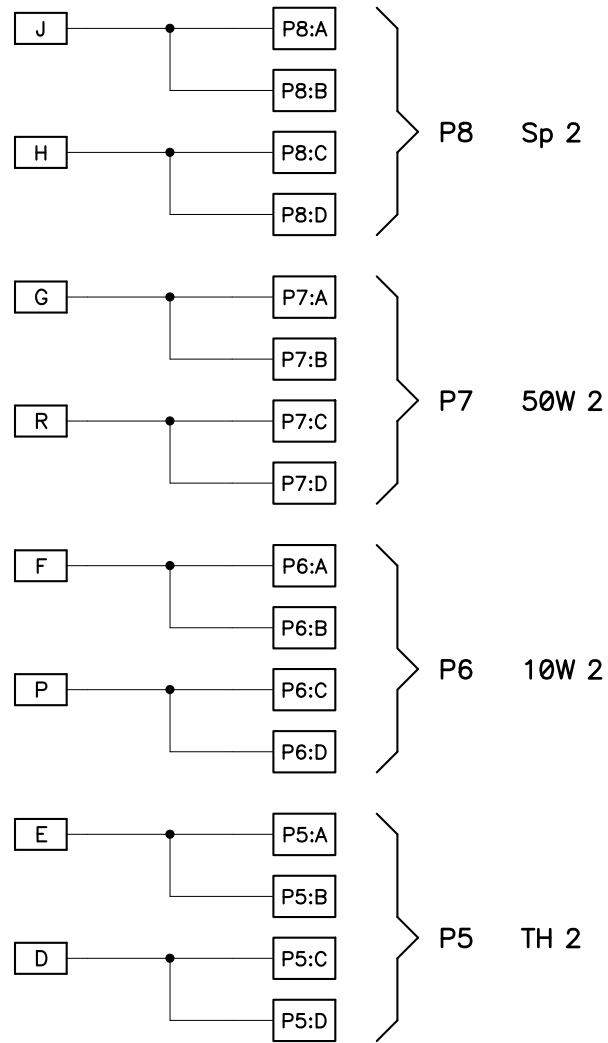
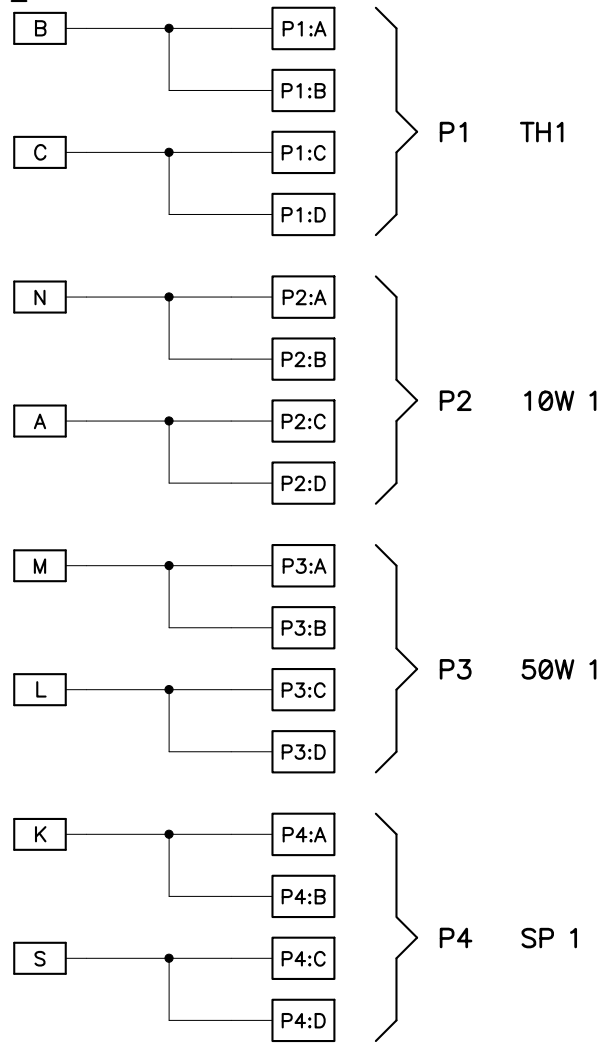


MS_20-16



THIS BOARD LIVES ON SPECTROGRAPH

UNIVERSITY OF CALIFORNIA
LICK OBSERVATORY

APF STAGE
BREAKOUT BOARD 3A

REVISION

DES'N BY: B. Alcott

ORIGIN DATE: 08-23-05

DWG. NO.

NUM. OF 1

Last SN

MODIFY DATE:

EL-1391

REV.
A

PRINT TIME: 09:07:12

PRINT DATE: Thu Jan 27, 2011

PATH: /APF/boards/Breakout_Board_3A

lamp_breakout_3A.SCH