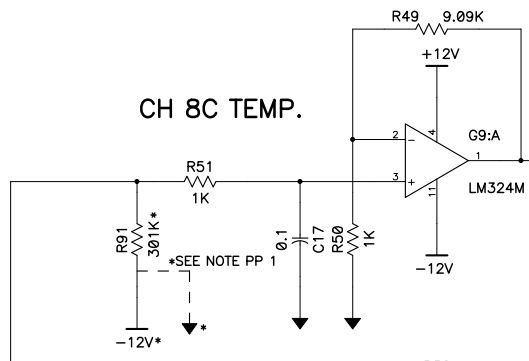
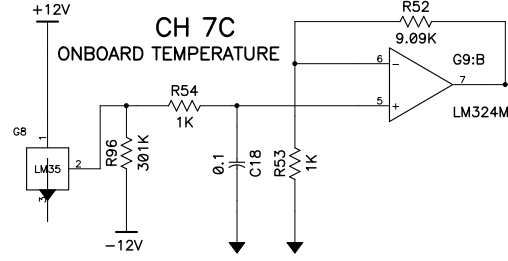


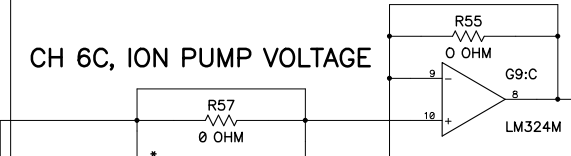
### CH 8C TEMP.



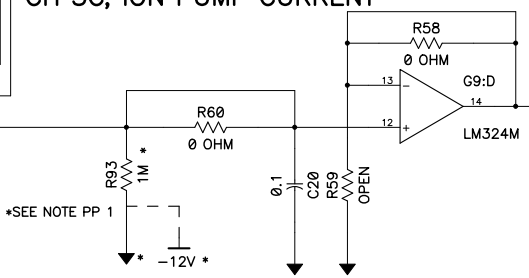
### CH 7C ONBOARD TEMPERATURE



### CH 6C, ION PUMP VOLTAGE

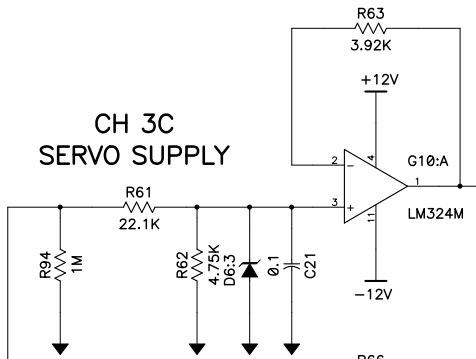


### CH 5C, ION PUMP CURRENT

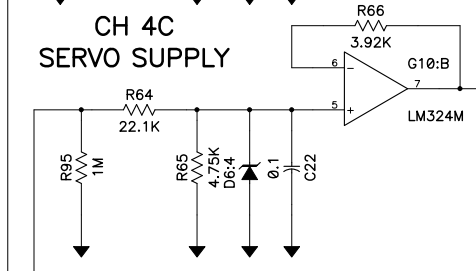


CONFIGURED FOR ANALOG INPUT BOARD #2 ON APF

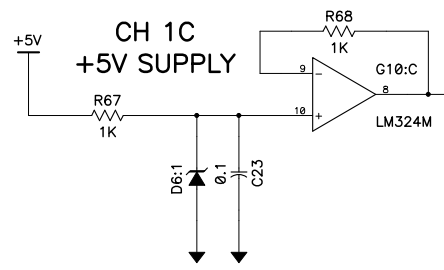
### CH 3C SERVO SUPPLY



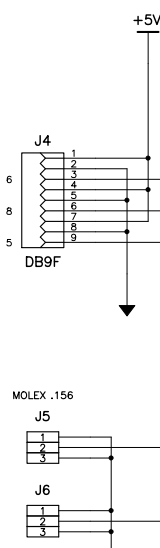
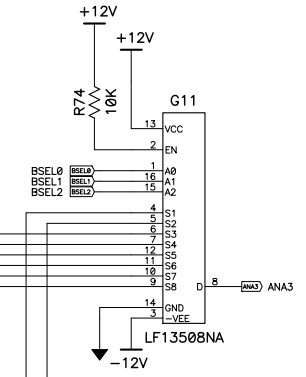
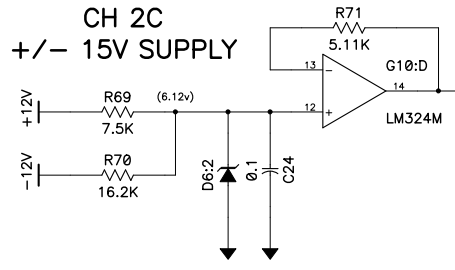
### CH 4C SERVO SUPPLY



### CH 1C +5V SUPPLY



### CH 2C +/- 15V SUPPLY



REVISION		Last Ser # Used: 30	
09-30-97	ADDED 1M PULL-DOWN RESISTORS TO INPUTS & CONNECTED J3-25 TO GROUND		
12-10-97	CHANGED ANA2 LABEL AND PORT TO ANA3		
07-26-99	REMOVED TRANSORBS		
04-12-01	CORRECTED SUPPLY VOLTAGES TO BE +/-12V INSTEAD OF +/-15V		
01-04-10	UPDATED CHANNEL 5 AND 6 FOR ION PUMP CONTROLLER ON APF		

UNIVERSITY OF CALIFORNIA LICK OBSERVATORY		24 ANALOG INPUT BOARD	
DES'N BY: B. Alcott	ORIGIN DATE: 05-23-97	DWG. NO.	NUM. 3 OF 3
DRAWN BY:	MODIFY DATE: 01-04-10	EL-1230-2S	
PATH: MULTIPURPOSE\EL-1230\ANALOG24		REVA	