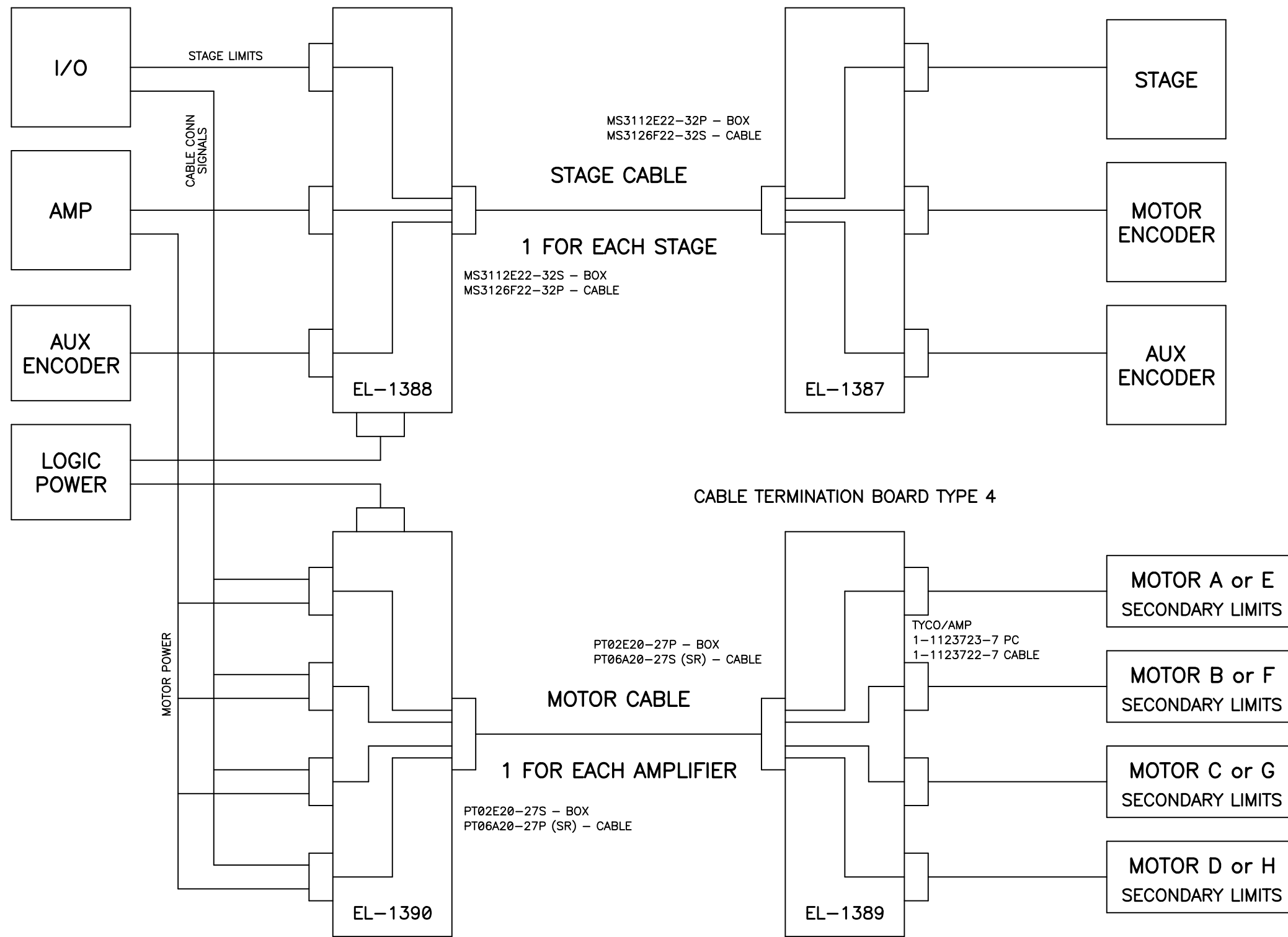


CABLE TERMINATION BOARD TYPE 1

CABLE TERMINATION BOARD TYPE 2

CABLE TERMINATION BOARD TYPE 4

CABLE TERMINATION BOARD TYPE 3



REVISIONS		http://loel.ucolick.org/manual/APF/schematics/APF_stage_cable_sh_7.pdf
08-12-05	UPDATED PIN NUMBERS FOR BETTER LAYOUT OF TERMINATION BOARDS	
08-12-05	ADDED THIS SHEET	
04-19-06	CORRECTED MOTOR CONNECTOR PART NUMBERS	
03-20-08	(NEW SHEET FROM #7 TO #8)	

UNIVERSITY OF CALIFORNIA LICK OBSERVATORY		APF STAGE CABLES A.C. WIRING GUIDE	
DES'N BY: B. Alcott	ORIGIN DATE: 04-01-05	DWG. NO. EL-3506	NUM. 7 OF 9
Last SN	MODIFY DATE: 04-22-10	REV. A	
PRINT TIME: 07:12:16	PRINT DATE: Thu May 06, 2010	APF_stage_cables.sch	
PATH: APF\			