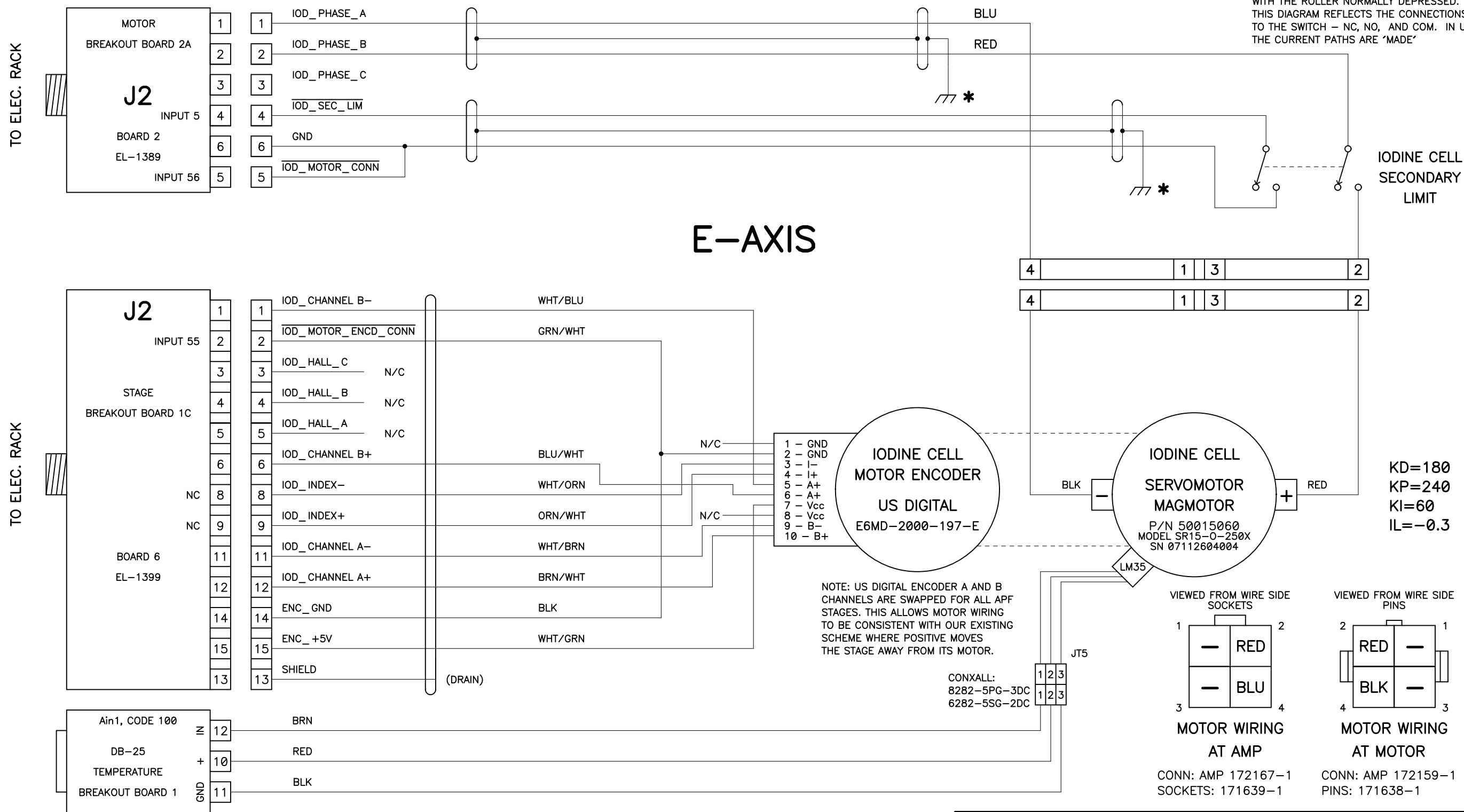


*NOTE: SECONDARY LIMIT SWITCHES ARE USED WITH THE ROLLER NORMALLY DEPRESSED. THIS DIAGRAM REFLECTS THE CONNECTIONS TO THE SWITCH - NC, NO, AND COM. IN USE, THE CURRENT PATHS ARE 'MADE'



* NOTE: MOTOR SIGNAL SHIELDS ARE TIED TO THE BREADBOARD ENTRY PANEL FLOATS.

REVISIONS	http://loel.ucolick.org/manual/Apf/schematics/APF_iodine_cell_sh_2 .pdf
03-01-07	SPLIT SHEET 2 INTO TWO SHEETS
03-02-07	ADDED MOTOR TEMPERATURE SENSOR WIRING SHEETS 1 AND 2
03-15-07	CHANGED SENSE OF 2ND LIMIT AND ADDED NOTE
01-31-08	ADDED SHIELDS TO MOTOR SIGNALS AND ADDED CONNECTOR PART NUMBERS FOR MOTOR CONNECTOR
02-13-08	ADDED TEMPERATURE SENSOR CONNECTOR
10-24-08	REMOVED UNUSED CONNECTOR BETWEEN STAGE BREAKOUT BOARD (EL1399) & THE U.S. DIGITAL ENCODER.
05-27-11	CORRECTED TEMPERATURE SENSOR WIRING AND ADDED COLORS
07-28-11	RE-TUNED STAGE. ADDED NEW PARAMETERS TO SCHEMATIC
11-28-11	ADDED INPUT BIT INFO

UNIVERSITY OF CALIFORNIA LICK OBSERVATORY		IODINE CELL STAGE STAGE WIRING APF SPECTROMETER	
DES'N BY: B. Alcott	ORIGIN DATE: 02-09-04	DWG. NO. EL-3515	NUM. 2 OF 4
Last SN	MODIFY DATE: 11-28-11	REV. A	
PRINT TIME: 11:14:46	PRINT DATE: Tue Nov 29, 2011		
PATH: APF\		APF_iodine_cell.sch	