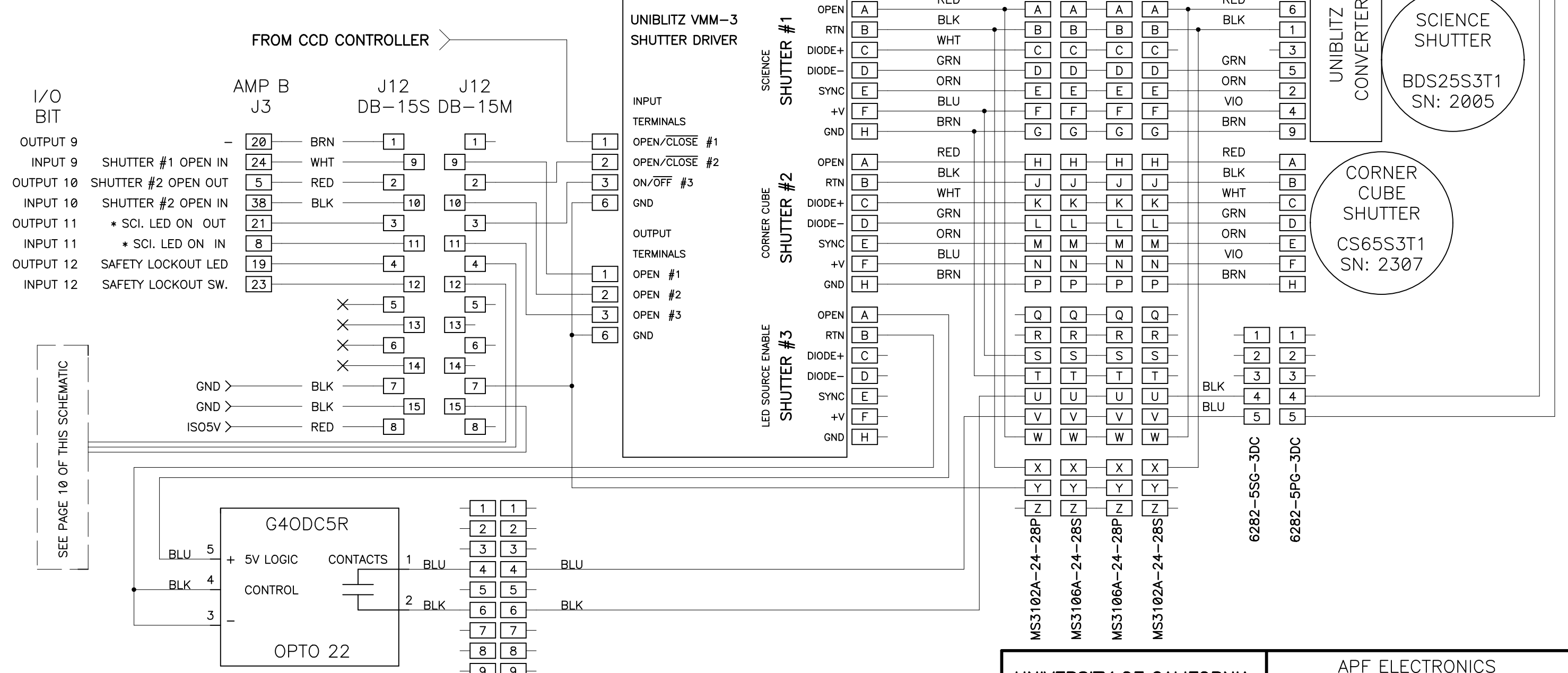


SCIENCE SHUTTER:
 SB11 = DISABLE IR EMITTER
 MG@IN[9] = 1 (ALWAYS 1 WHILE IR EMMITTER IS OFF)
 CB11 = ENABLES IR EMITTER
 MG@IN[9] = 1 (SHUTTER NOT OPEN)
 MG@IN[9] = 0 (SHUTTER IS OPEN)

CORNER CUBE SHUTTER:
 SB10 = CLOSE; MG@IN[10] = 1
 CB10 = OPEN; MG@IN[10] = 0

SHUTTERS



NOTE: * SCI. LED MUST BE TURNED OFF AFTER SENSING THE STATE OF THE SCIENCE SHUTTER.

AMP 206486-1 AMP 206485-1

REVISIONS http://loel.ucolick.org/manual/Apf/schematics/APF_interconnections_sh_6.pdf

- 02-15-06 ADDED THIS SHEET FOR SHUTTER CABLE INTERCONNECTS
- 06-08-06 Note: The Manufacturer of the 7-pin cable connector P2, has reversed the pin designations. Please ignore the pin labels on this connector.
- 05-03-07 CORRECTED SHUTTER SIGNAL WIRING - ONLY 2 CHANNELS USED
- 02-11-08 ADDED SHUTTER DETAILS ON SPECTROGRAPH
- 04-15-08 ADDED SCIENCE SHUTTER LED LIGHT SOURCE RELAY SWITCH. DOUBLED UP WIRES ON POWER & GROUND FOR SCIENCE SHUTTER # 1.
- 04-02-10 REMOVED OUTPUT 9 CONTROL OF SCIENCE SHUTTER. SCI. SHUTTER CONTROLLED VIA CCD CONTROLLER.
- 04-20-10 REMOVED REFERENCES TO I/O BITS 13 AND 14 - NOW USED FOR KEPCO 48V SUPPLY. ADDED SHUTTER SIGNAL NAMES.
- 09-13-10 ADDED SHEET 10 TO THIS SCHEMATIC AND ADDED REFERENCE TO PAGE 10 FROM J12 ON THIS PAGE.
- 01-27-11 REMOVED BIT 9 CONNECTION AND MOVED UNIBLITZ CHANNEL 1 INPUT TO CCD CONTROLLER

UNIVERSITY OF CALIFORNIA LICK OBSERVATORY		APF ELECTRONICS INTERCONNECTIONS SHUTTERS WIRING	
DES'N BY: B. Alcott	ORIGIN DATE: 09-08-05	DWG. NO.	NUM. 6 OF 10
Last SN	MODIFY DATE: 01-27-11	EL-3508	REV. C
PRINT TIME: 13:06:07	PRINT DATE: Thu Jan 27, 2011		
PATH: APF/		APF_interconnections.sch	