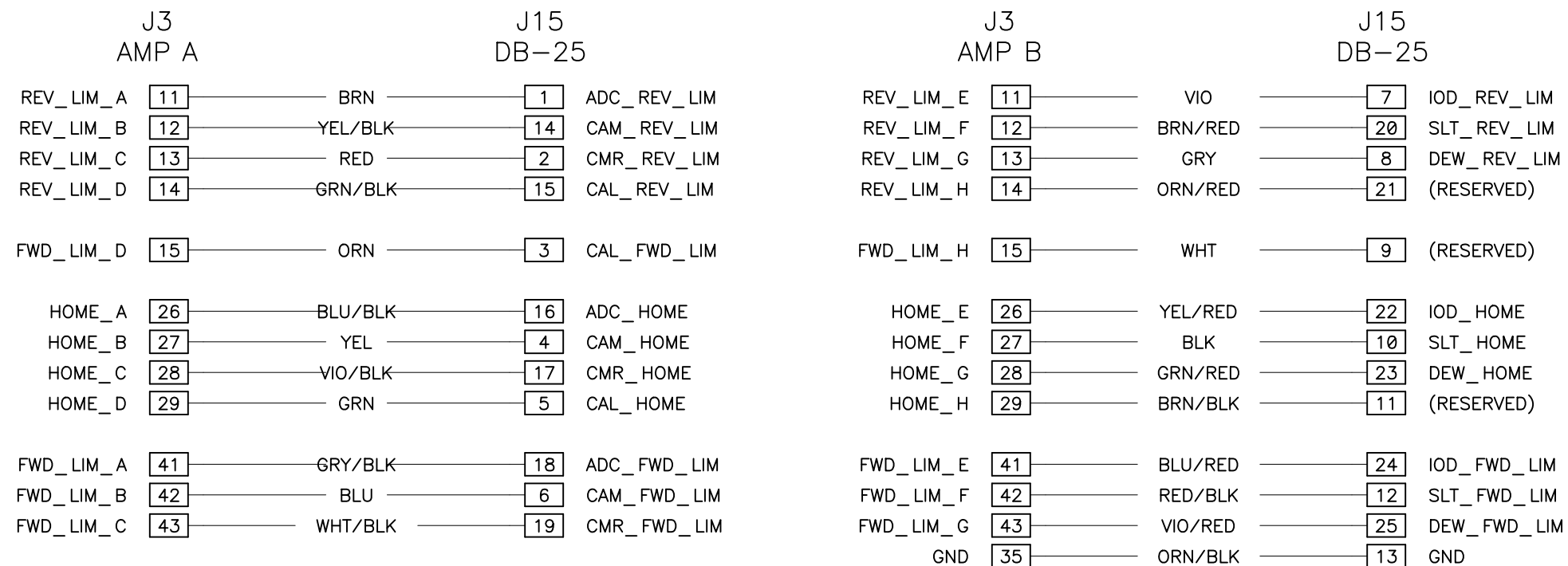
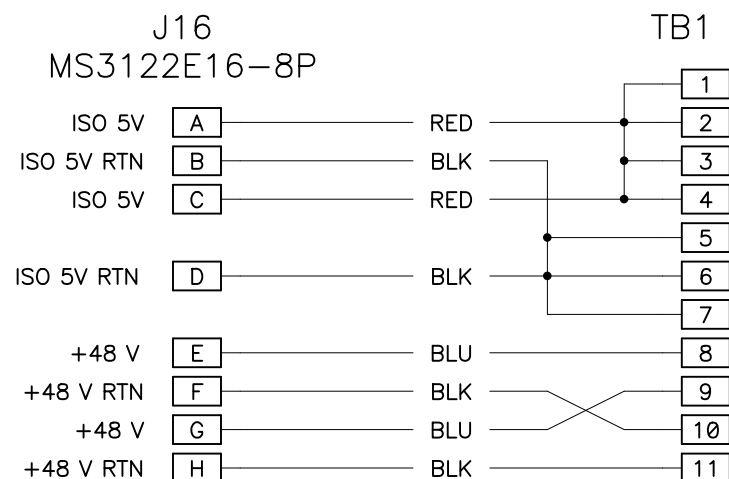


HOME SIGNAL AND PRIMARY LIMITS



DC POWER IN



REVISIONS http://loel.ucolick.org/manual/Apf/schematics/APF_interconnections_sh_5.pdf

10-12-05 ADDED DC POWER IN CONNECTOR J16

UNIVERSITY OF CALIFORNIA LICK OBSERVATORY		APF ELECTRONICS INTERCONNECTIONS HOME, PRIMARY LIM DC POWER	
DES'N BY: B. Alcott	ORIGIN DATE: 09-08-05	DWG. NO.	NUM. 5 OF 9
Last SN	MODIFY DATE: 10-12-05	EL-3508	REV. C
PRINT TIME: 11:00:37	PRINT DATE: Mon May 17, 2010		
PATH: APF/		APF_interconnections.sch	