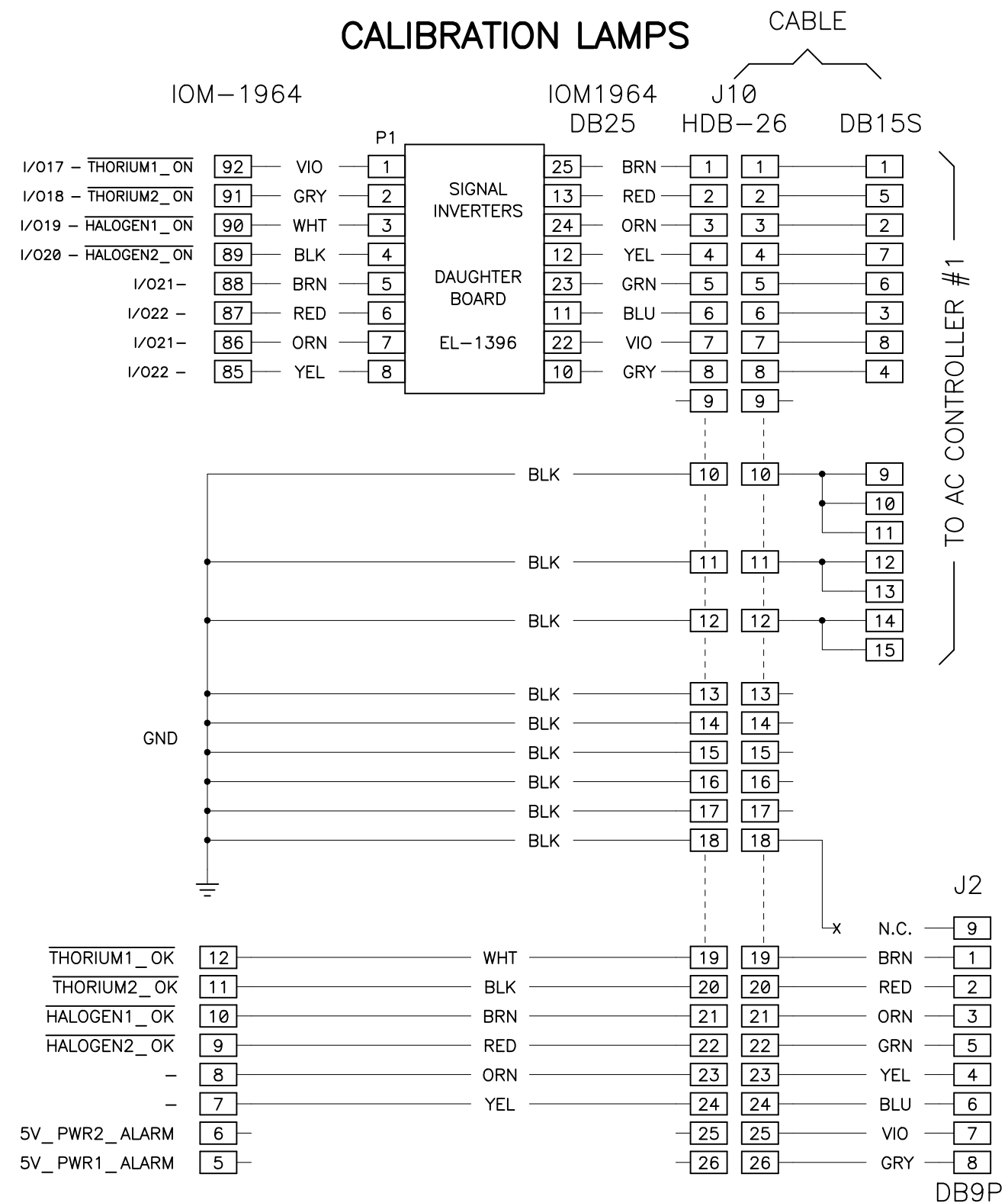
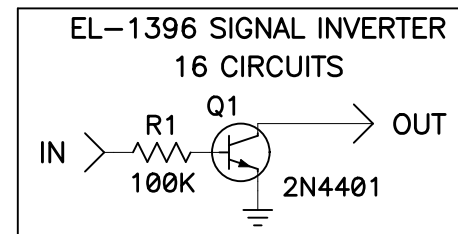
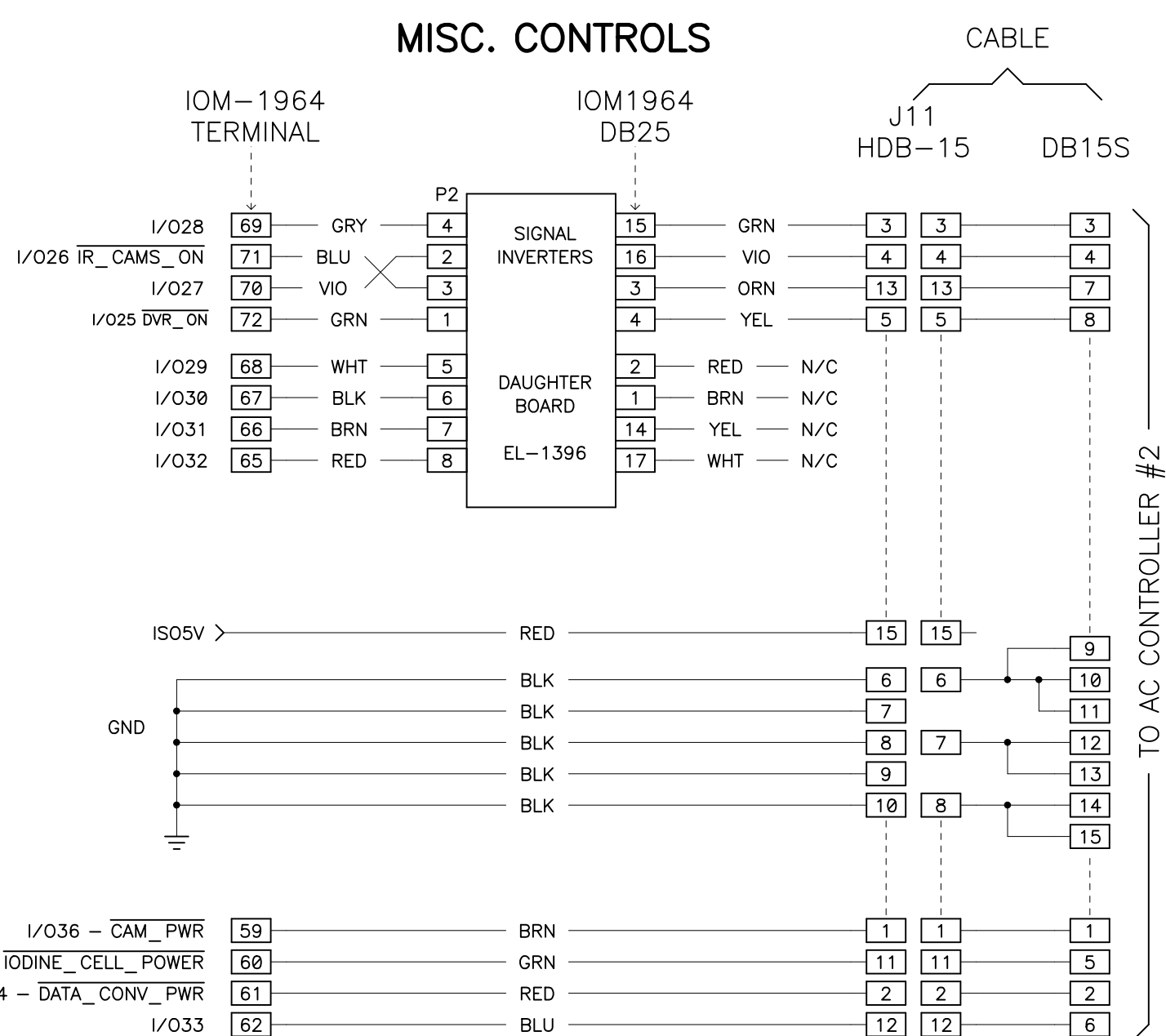


CALIBRATION LAMPS



MISC. CONTROLS



UNIVERSITY OF CALIFORNIA
LICK OBSERVATORY

APF ELECTRONICS
INTERCONNECTIONS
LAMPS AND COOLING

REVISIONS

http://loel.ucolick.org/manual/Apf/schematics/APF_interconnections_sh_3.pdf

12-08-05	CORRECTED WIRE COLORS AT TERMINALS 8 & 9 (WAS ORN, RED. NOW RED, ORN)
02-09-06	CORRECTED PIN NUMBERS ON OUTPUT CORRESPONDING TO P2 INPUTS. ALSO SWAPPED P2 INPUT PINS 2 AND 3 TO MATCH BUFFER BOARD ARTWORK.
02-21-06	ADDED CONNECTION TO J2 OF EL-3514
02-27-06	REV B: CUT GND CONNECTION P2:9 (DB-9P)
05-02-07	REALLOCATED SPARE LAMP INPUT SIGNALS TO POWER SUPPLY INPUTS - SEE SHEET 7
04-21-10	ADDED GUIDE CAMERA AC POWER SIGNAL AND UPDATED OTHER, MOSTLY UNUSED, SIGNAL NAMES
05-06-10	RENAMED VARIOUS SIGNALS FOR UNIFORMITY ON ALL SCHEMATICS
02-23-11	CHANGED HALOGEN LAMP SIGNAL FOR NEW DESIGN FOR INTEGRATING SPHERE
06-02-11	ADDED DRV, IR CAM, AND IODINE POWER SIGNALS

DES'N BY: B. Alcott	ORIGIN DATE: 09-08-05	DWG. NO.	NUM. 3 OF 10
Last SN	MODIFY DATE: 06-02-11	EL-3508	REV. C
PRINT TIME: 10:47:59	PRINT DATE: Thu Jun 02, 2011		
PATH: APF/		APF_interconnections.sch	