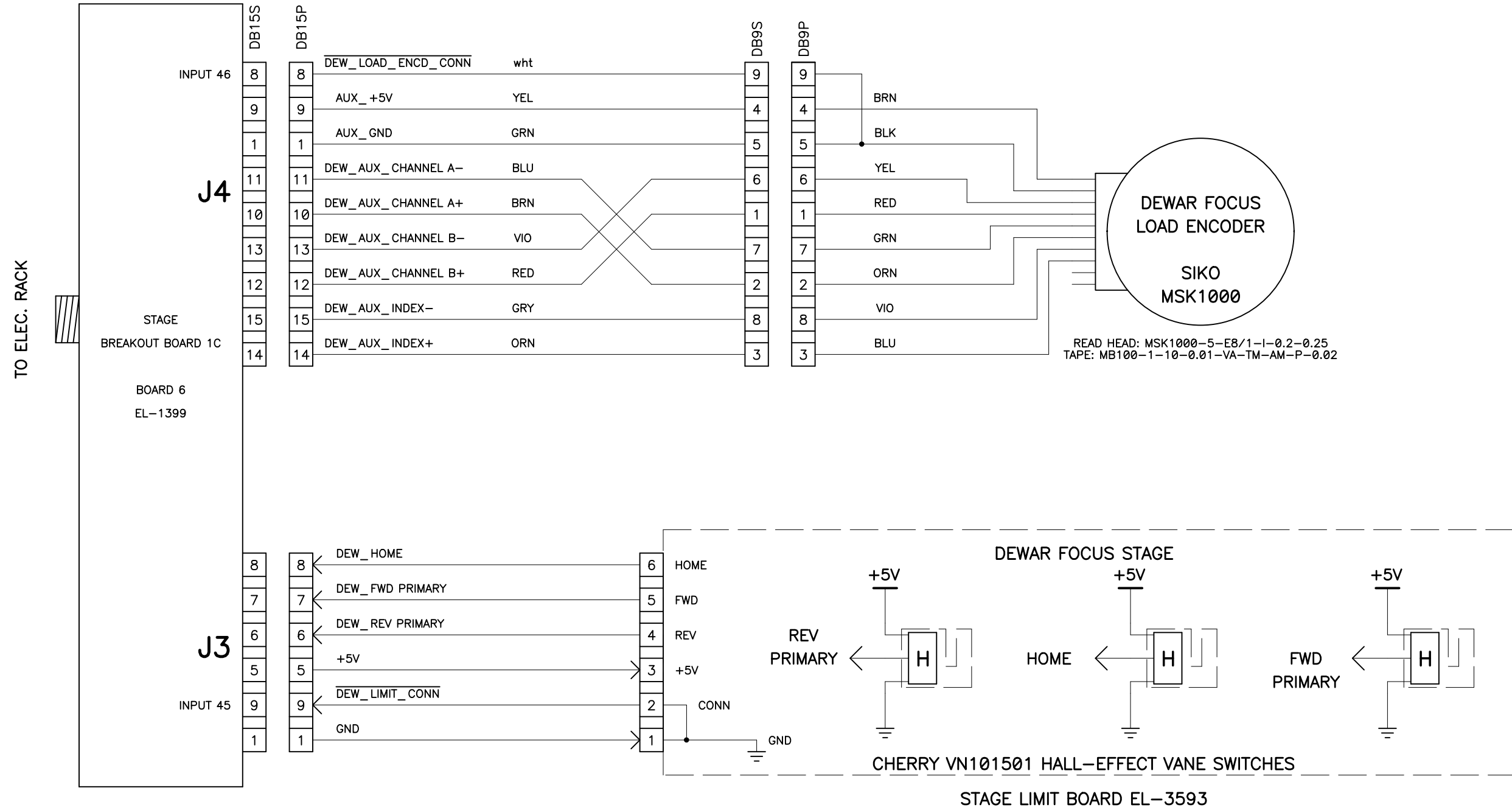


# G-AXIS



B

## REVISIONS

03-01-07 SPLIT SHEET 2 INTO TWO SHEETS  
07-31-07 MOVED CABLE CONNECTED JUMPER INTO SIKO DB9 AND SWAPPED CHANNEL A AND B  
11-28-11 ADDED INPUT BIT INFO

[http://loel.ucolick.org/manual/Apf/schematics/APF\\_dewar\\_focus\\_sh\\_3.pdf](http://loel.ucolick.org/manual/Apf/schematics/APF_dewar_focus_sh_3.pdf)

UNIVERSITY OF CALIFORNIA  
LICK OBSERVATORY

DEWAR FOCUS STAGE  
APF SPECTROMETER

DES'N BY: B. Alcott

ORIGIN DATE: 02-09-04

DWG. NO.

NUM. 3 OF 4

Last SN

MODIFY DATE: 07-31-07

EL-3517

REV.  
A

PRINT TIME: 09:29:45

PRINT DATE: Wed Nov 14, 2012

PATH:  
APF\

APF\_dewar\_focus.sch