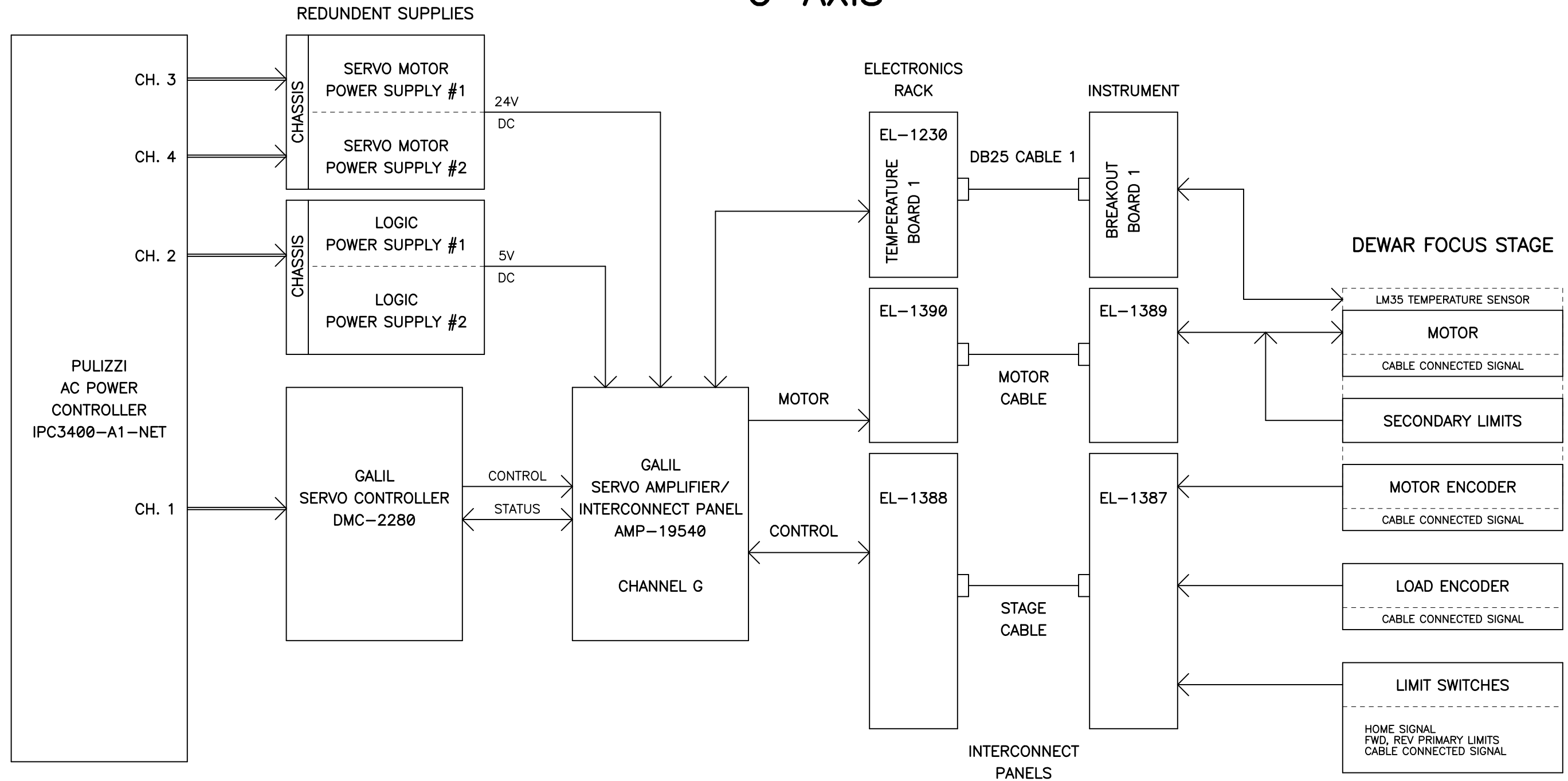


G-AXIS



NOTE: THIS STAGE HANGS FROM THE BOTTOM OF THE OPTICAL BENCH

REVISIONS		http://loel.ucolick.org/manual/Apf/schematics/APF_dewar_focus_sh_1.pdf
08-12-05	UPDATED FOR BRUSHLESS MOTORS	
08-12-05	ADDED CABLE INTERCONNECT CABLES	
11-09-05	UPDATED STAGE WIRING FOR SINGLE SECONDARY LIMIT (SHEET 2)	
04-11-06	ADDED BREAKOUT BOARDS FOR CABLING BETWIT THE ELECTRONICS RACK AND SPECTROGRAPH (SHEET 2)	
03-02-07	ADDED MOTOR TEMPERATURE SENSOR WIRING SHEETS 1 AND 2	
03-15-07	CHANGED SENSE OF 2ND LIMIT AND ADDED NOTE (SHEET 2)	
01-31-08	ADDED SHIELDS TO MOTOR SIGNALS AND ADDED CONNECTOR PART NUMBERS FOR MOTOR CONNECTOR (SHEET 2)	
02-07-08	ADDED REDUNDANT POWER SUPPLY DETAILS	

UNIVERSITY OF CALIFORNIA LICK OBSERVATORY		DEWAR FOCUS STAGE APF SPECTROMETER	
DES'N BY: B. Alcott	ORIGIN DATE: 02-09-04	DWG. NO.	NUM. 1 OF 4
Last SN	MODIFY DATE: 02-07-08	EL-3517	REV. A
PRINT TIME: 09:29:16	PRINT DATE: Wed Nov 14, 2012		
PATH: APF\		APF_dewar_focus.sch	