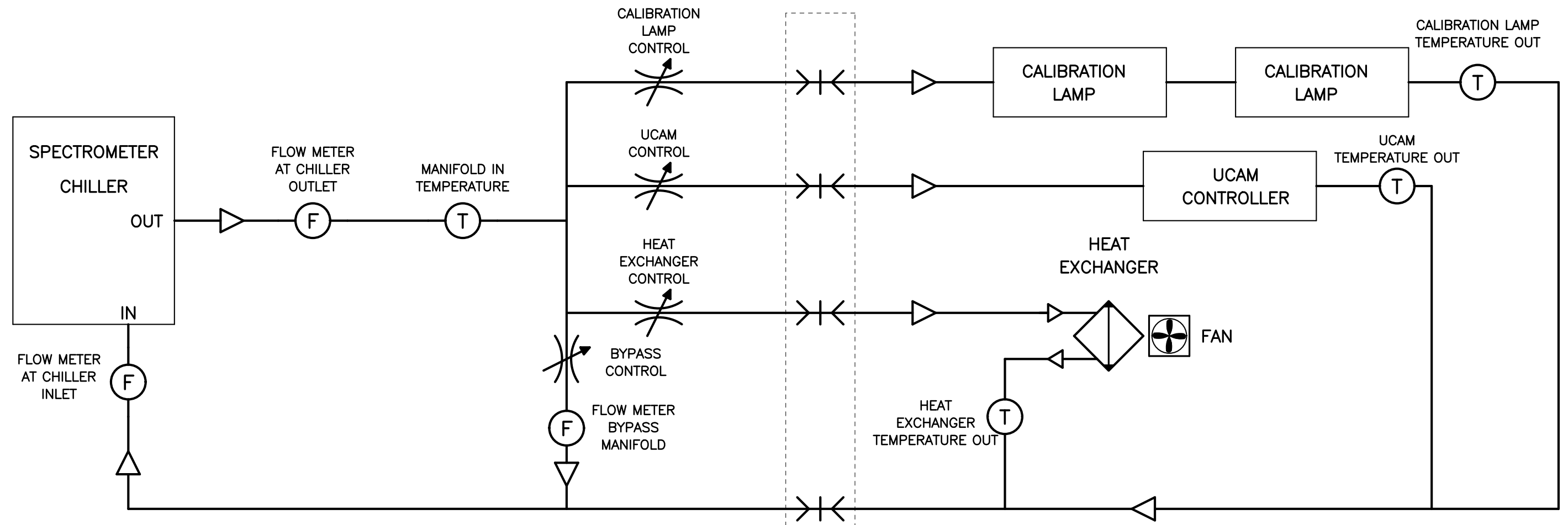
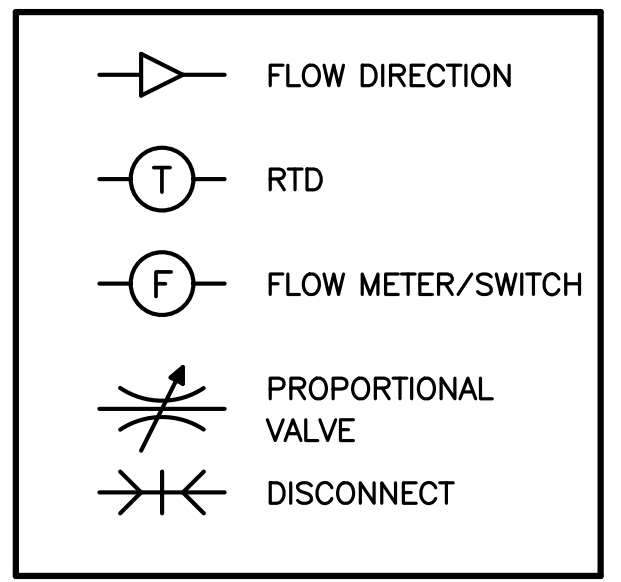
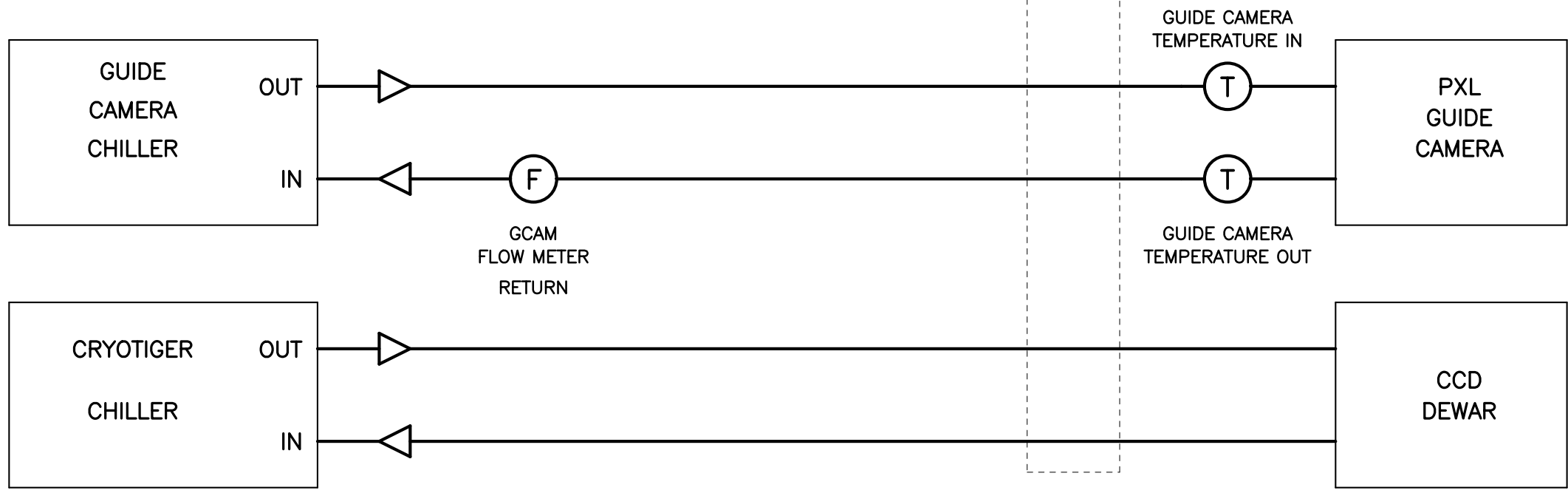


INTERCONNECT PANEL



INTERCONNECT PANEL



REVISIONS

| | |
|----------|---------------------------------------------------------------|
| 04-30-10 | GENERATED THIS SHEET |
| 07-28-10 | ADDED RETURN FLOW METERS TO CHILLER AND GUIDE CAMERA CIRCUITS |
| 06-17-11 | REMOVED GUIDE CAMERA "IN" FLOW SWITCH |
| 03-27-13 | ADDED BYPASS MANIFOLD FLOW SWITCH |

http://loel.ucolick.org/manual/APF/schematics/APF_cooling_sh_5.pdf

| | | | |
|----------------------------------------------|------------------------------|-------------------------------------------------|-----------------|
| UNIVERSITY OF CALIFORNIA LICK OBSERVATORY | | COOLING SYSTEM SCHEMATIC APF SPECTROMETER | |
| DES'N BY: B. Alcott | ORIGIN DATE: 01-07-05 | DWG. NO. EL-3505 | NUM. 5 OF 7 |
| Last SN | MODIFY DATE: 03-27-13 | REV. A | |
| PRINT TIME: 11:45:48 | PRINT DATE: Wed Mar 27, 2013 | | |
| PATH: APF\ | | | APF_cooling.sch |