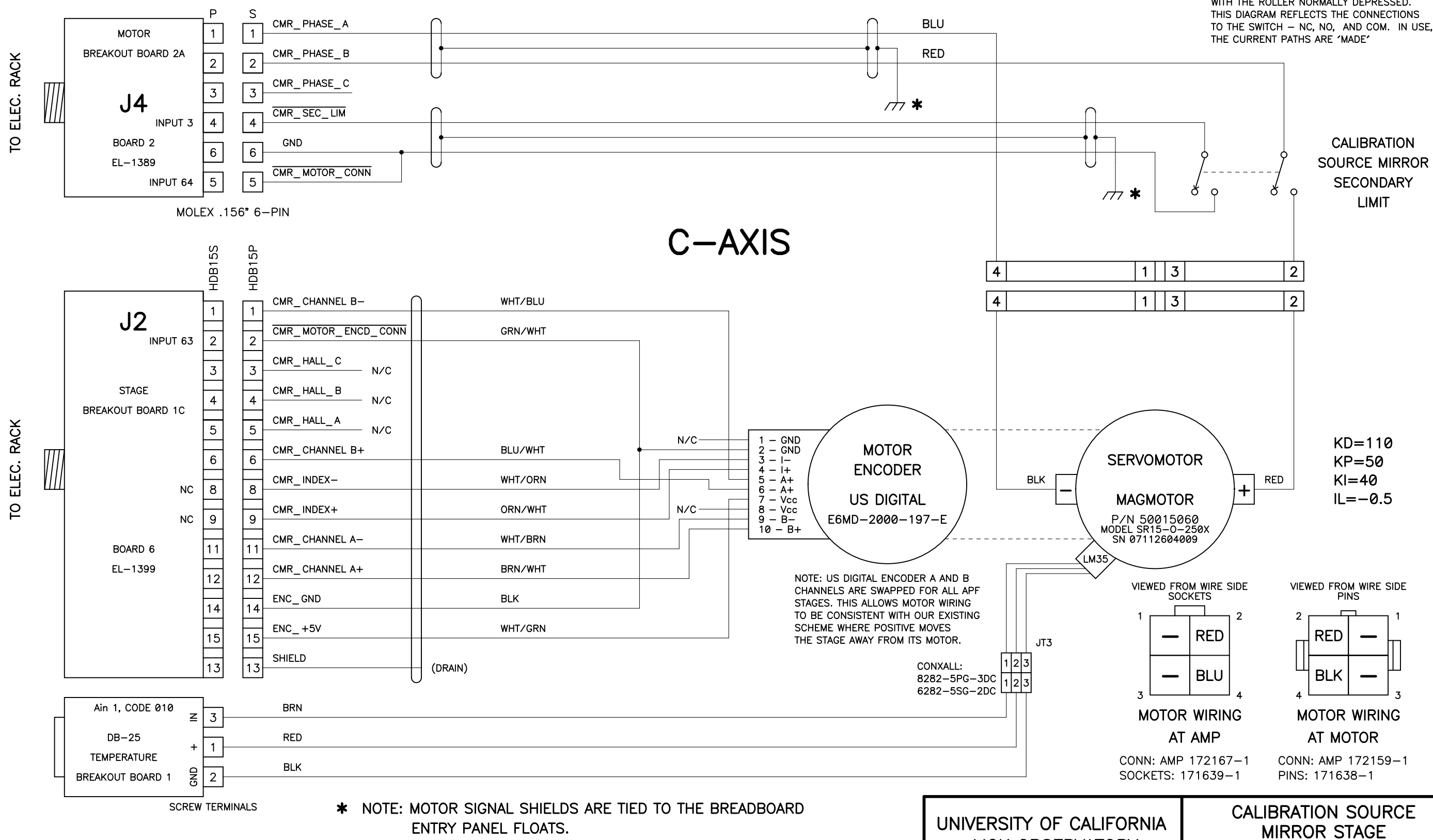


\*NOTE: SECONDARY LIMIT SWITCHES ARE USED WITH THE ROLLER NORMALLY DEPRESSED. THIS DIAGRAM REFLECTS THE CONNECTIONS TO THE SWITCH - NC, NO, AND COM. IN USE, THE CURRENT PATHS ARE 'MADE'



REVISIONS	URL
03-01-07 SPLIT SHEET 2 INTO TWO SHEETS	<a href="http://loel.ucolick.org/manual/Apf/schematics/APF_calib_source_mirror_sh_2.pdf">http://loel.ucolick.org/manual/Apf/schematics/APF_calib_source_mirror_sh_2.pdf</a>
03-02-07 ADDED MOTOR TEMPERATURE SENSOR WIRING SHEETS 1 AND 2	
03-15-07 CHANGED SENSE OF 2ND LIMIT AND ADDED NOTE	
04-16-07 ADDED CONNECTOR LABELS	
01-30-08 ADDED SHIELDS TO MOTOR SIGNALS AND ADDED CONNECTOR PART NUMBERS FOR MOTOR CONNECTOR	
02-13-08 ADDED TEMPERATURE SENSOR CONNECTOR	
10-24-08 REMOVED UNUSED CONNECTOR BETWEEN STAGE BREAKOUT BOARD (EL1399) & THE U.S. DIGITAL ENCODER.	
05-27-11 CORRECTED TEMPERATURE SENSOR WIRING AND ADDED COLORS	
11-28-11 ADDED INPUT BIT INFO	

UNIVERSITY OF CALIFORNIA LICK OBSERVATORY		CALIBRATION SOURCE MIRROR STAGE APF SPECTROMETER	
DES'N BY: B. Alcott	ORIGIN DATE: 02-09-04	DWG. NO. EL-3513	NUM. 2 OF 3
Last SN	MODIFY DATE: 11-28-11	REV. A	
PRINT TIME: 11:24:22	PRINT DATE: Tue Nov 29, 2011		
PATH: APF\		APF_calib_source_mirror.sch	