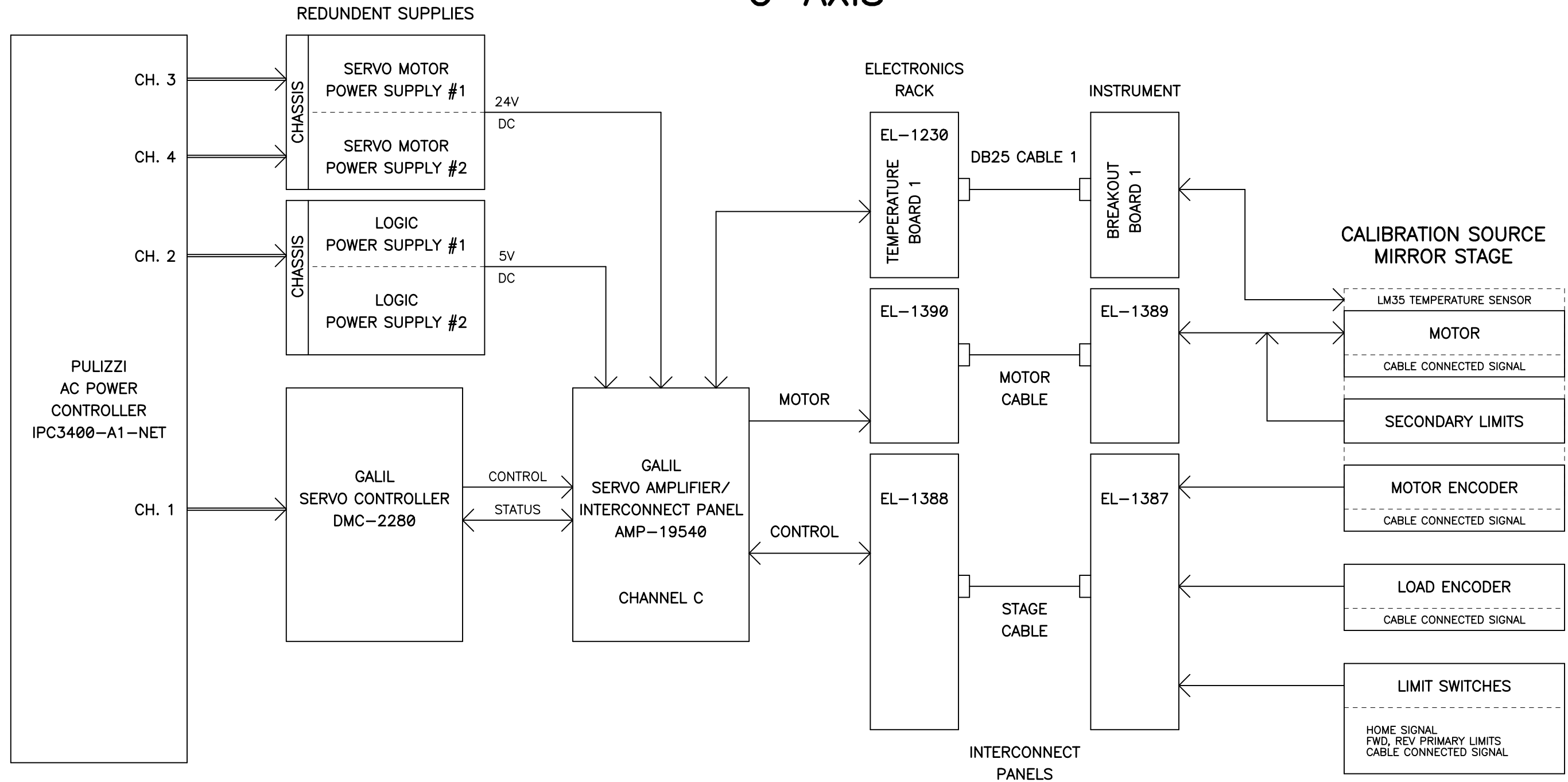


C-AXIS



NOTE: THIS STAGE IS MOUNTED TO THE BOTTOM OF THE OPTICAL BENCH

REVISIONS	http://loel.ucolick.org/manual/Apf/schematics/APF_calib_source_mirror_sh_1.pdf
08-12-05	UPDATED FOR BRUSHLESS MOTORS
08-12-05	ADDED CABLE INTERCONNECT CABLES
11-09-05	UPDATED STAGE WIRING FOR SINGLE SECONDARY LIMIT (SHEET 2)
04-11-06	ADDED BREAKOUT BOARDS FOR CABLING BETWIT THE ELECTRONICS RACK AND SPECTROGRAPH (SHEET 2)
03-01-07	SPLIT SHEET 2 INTO TWO SHEETS
03-02-07	ADDED MOTOR TEMPERATURE SENSOR WIRING SHEETS 1 AND 2
03-15-07	CHANGED SENSE OF 2ND LIMIT AND ADDED NOTE (SHEET 2)
01-30-08	ADDED SHIELDS TO MOTOR SIGNALS AND ADDED CONNECTOR PART NUMBERS FOR MOTOR CONNECTOR
02-07-08	ADDED REDUNDANT POWER SUPPLY DETAILS

UNIVERSITY OF CALIFORNIA LICK OBSERVATORY		CALIBRATION SOURCE MIRROR STAGE APF SPECTROMETER	
DES'N BY: B. Alcott	ORIGIN DATE: 02-09-04	DWG. NO.	NUM. 1 OF 3
Last SN	MODIFY DATE: 02-07-08	EL-3513	REV. A
PRINT TIME: 08:35:06	PRINT DATE: Wed Feb 13, 2008		
PATH: APF\		APF_calib_source_mirror.sch	