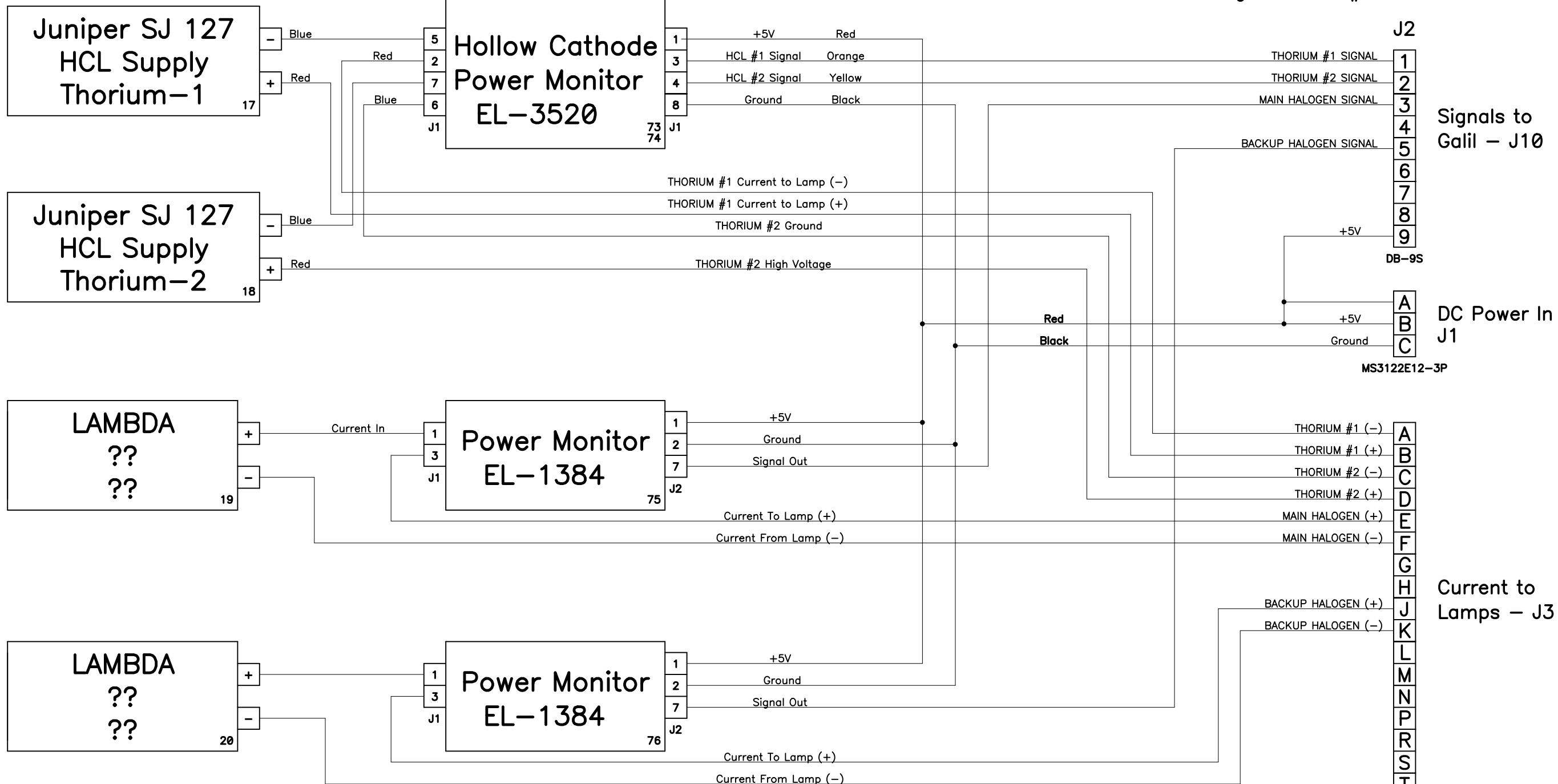


Power Supplies

This box interfaces to J10 of EL-3508. See drawing EL-3508 #3



MS3102A-20-29P
CABLE: NAT'L NX1922

UNIVERSITY OF CALIFORNIA LICK OBSERVATORY		CALIBRATION LAMP STAGE APF SPECTROMETER	
DES'N BY: B. Alcott	ORIGIN DATE: 02-09-04	DWG. NO.	NUM. 4 OF 5
Last SN	MODIFY DATE: 02-23-11	EL-3514	REV. C
PRINT TIME: 06:37:30	PRINT DATE: Wed Feb 23, 2011		
PATH: APF\		APF_calib_lamp.sch	

REVISIONS [http://loel.ucolick.org/manual/Apf/schematics/APF_calib_lamp_sh_4 .pdf](http://loel.ucolick.org/manual/Apf/schematics/APF_calib_lamp_sh_4.pdf)

02-14-06 ADDED THIS SHEET
 02-24-06 REV C: CHANGED J2:9 FROM GND TO +5V
 04-20-10 CORRECTED CONNECTOR DESIGNATIONS AND ADDED CABLE P/N
 02-23-11 REMOVED *2nd* HALOGEN LAMPS. NEW INTEGRATING SPHERE DESIGN REQUIRES A SINGLE (PLUS A LIVE SPARE) LAMP.