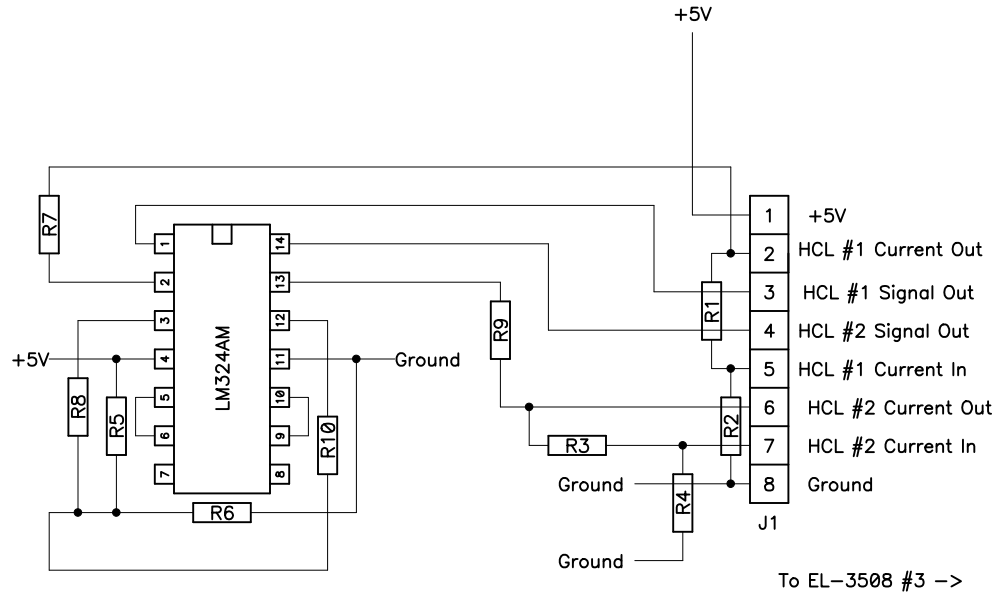


R1	47
R2	1K
R3	47
R4	1K
R5	220K
R6	1K
R7	1K
R8	1K
R9	1K
R10	1K



UNIVERSITY OF CALIFORNIA
LICK OBSERVATORY

EL-3520 Board Layout

REVISION

DES'N BY: Ken Dietsch

ORIGIN DATE: January 27, 2006

DWG. NO.

NUM. 2 OF 2

Last SN

MODIFY DATE:

EL-3520

REV.
B

PRINT TIME: 10:42:21

PRINT DATE: Wed Apr 21, 2010

PATH: APF/

APF_HCL_Lamp_Monitor.sch