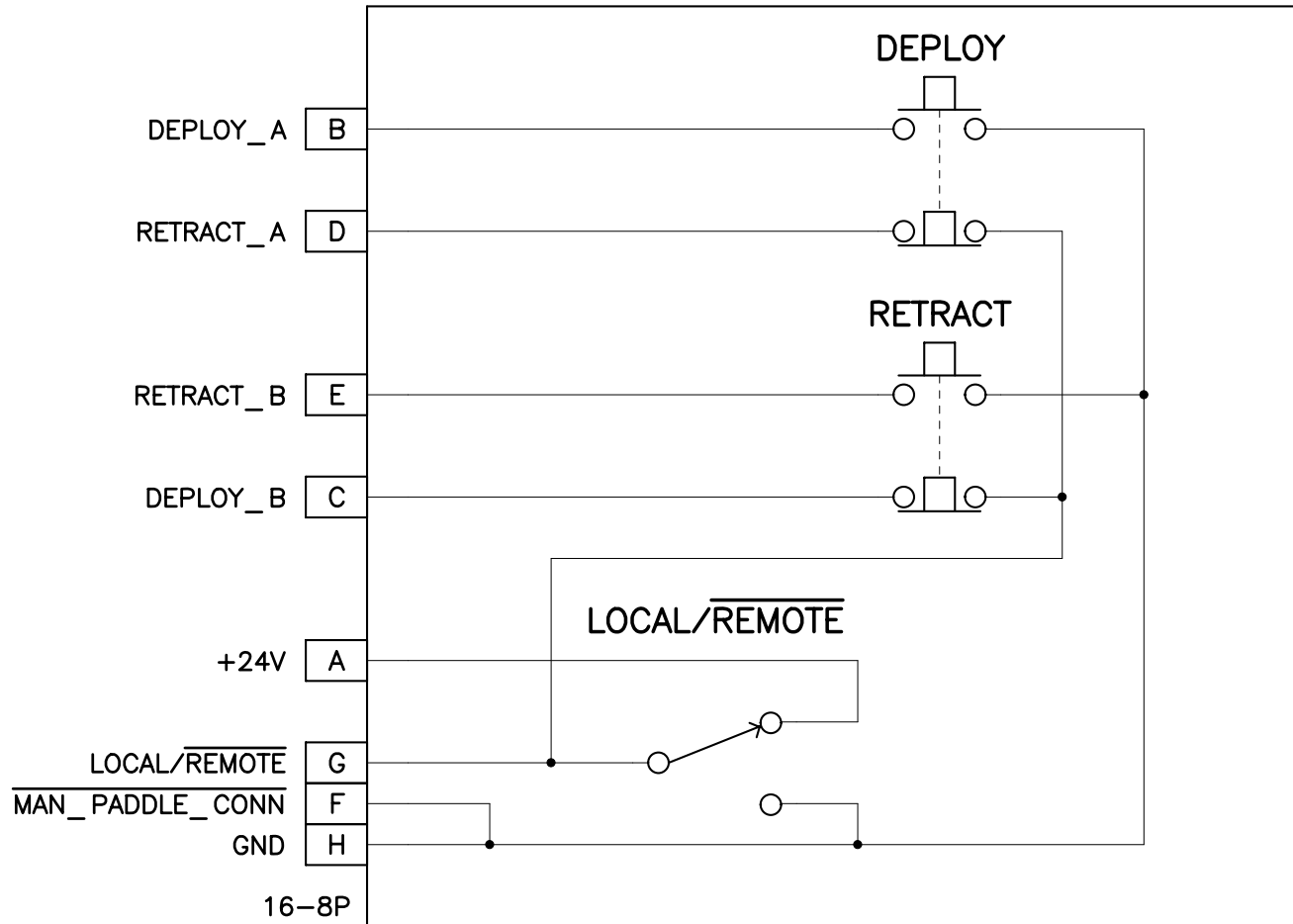


J202 OR J606

MANUAL PADDLE



[http://loel.ucolick.org/manual/ADC/schematics/ADC\\_power\\_sh\\_6.sch.pdf](http://loel.ucolick.org/manual/ADC/schematics/ADC_power_sh_6.sch.pdf)

UNIVERSITY OF CALIFORNIA  
LICK OBSERVATORY

ADC STAGE  
KECK ADC

REVISION

03-23-04 ADDED THIS SHEET  
04-20-04 RENUMBERED ALL CONNECTORS  
06-09-04 REDREW AS MANUAL CONTROL PADDLE  
10-25-04 ADDED SWITCH LABELS  
02-09-05 UPDATED PADDLE WIRING  
03-12-07 CORRECTED LOCAL/REMOTE LABEL

DES'N BY: B. Alcott

ORIGIN DATE: 09-16-03

DWG. NO.

NUM. 6 OF 6

Last SN

MODIFY DATE: 03-12-07

PRINT TIME: 14:15:32

PRINT DATE: Mon Mar 12, 2007

EL-3610

REV.

A

PATH: ADC\

ADC\_stage.sch