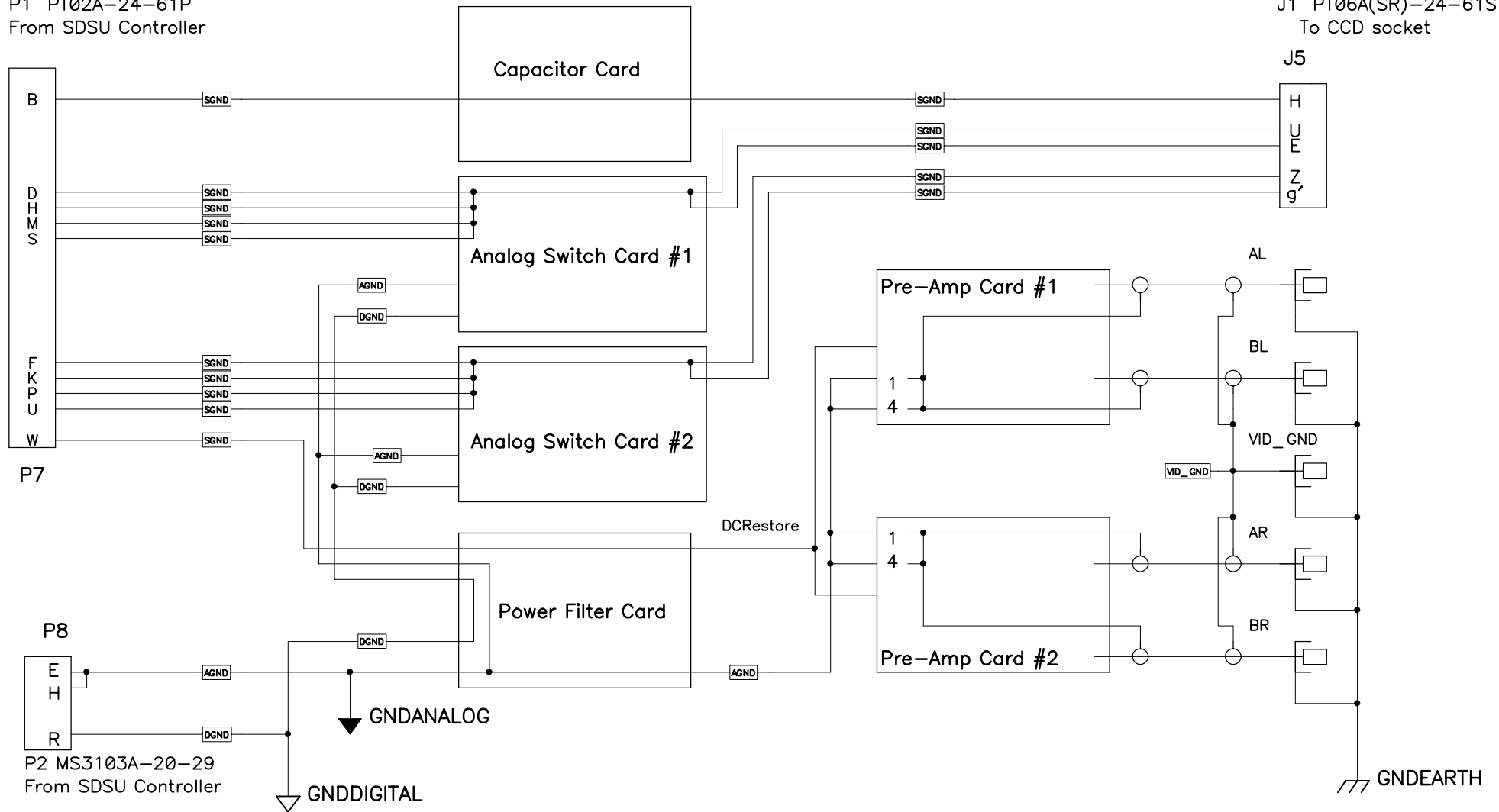


P1 PT02A-24-61P
From SDSU Controller

J1 PT06A(SR)-24-61S
To CCD socket



UNIVERSITY OF CALIFORNIA
LICK OBSERVATORY

ELECTRONICS BOX GROUNDING
PRIME FOCUS CAMERA

REVISION

08-26-97: Added additional ground connections and connector numbers
01-30-98: Added more detailed SGND lines. LB

DES'N BY: L. Bresee

ORIGIN DATE: 03-31-97

DWG. NO.

NUM. 1 OF 1

DRAWN BY:

MODIFY DATE: 01-30-98

PATH: PFCAM\DEWAR\GND

REV. C

EL-3292