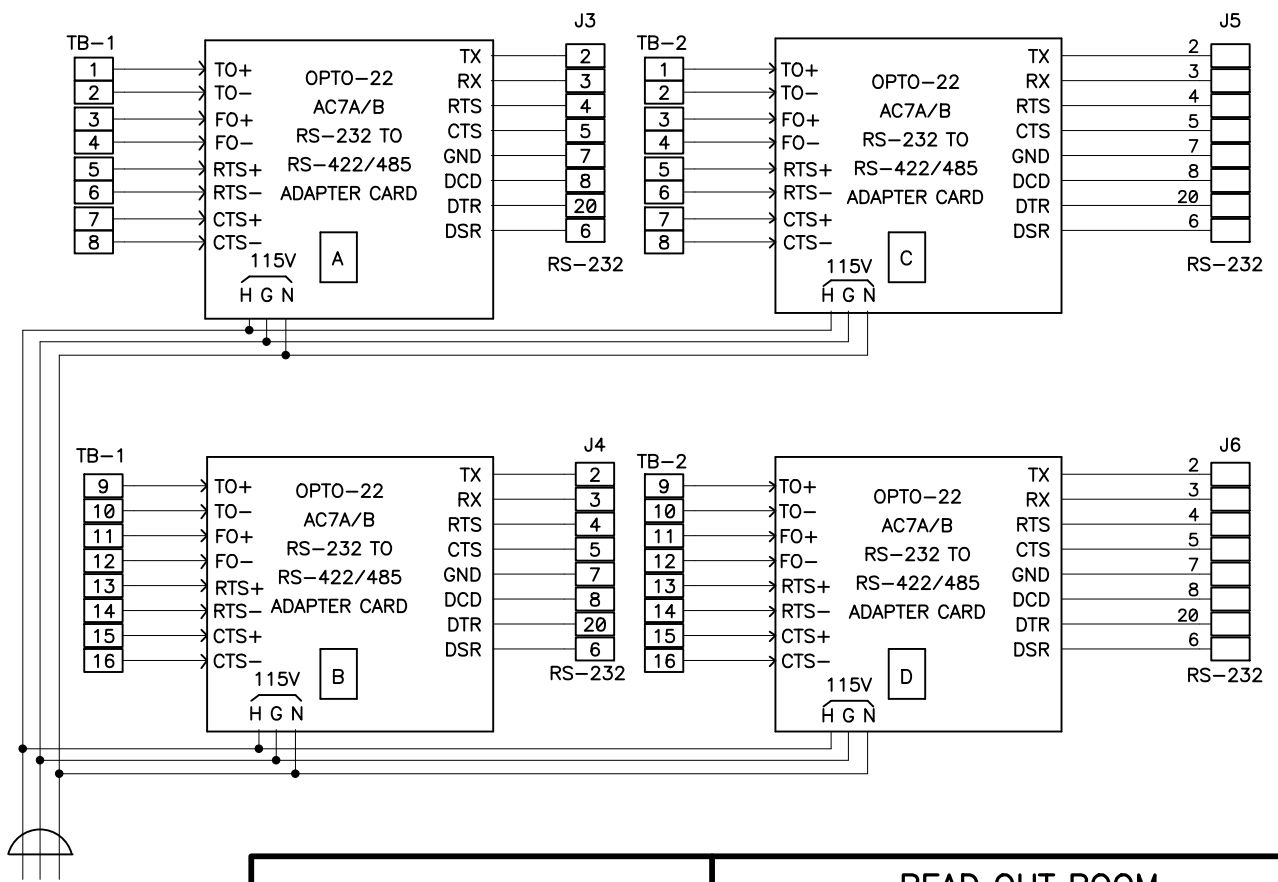
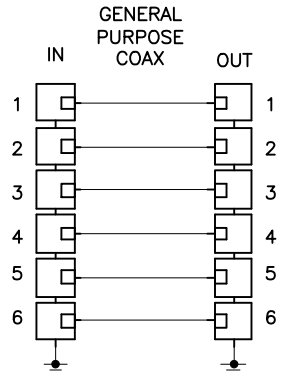
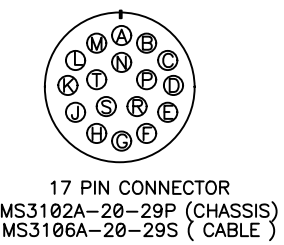


J1            TB-1            J2            TB-2

PIN	FUNCTION	PIN	PIN	FUNCTION	PIN
A	A TO+	1	A	C TO+	1
B	A TO-	2	B	C TO-	2
C	A FO+	3	C	C FO+	3
D	A FO-	4	D	C FO-	4
E	A RTS+	5	E	C RTS+	5
F	A RTS-	6	F	C RTS-	6
G	A CTS+	7	G	C CTS+	7
H	A CTS-	8	H	C CTS-	8
J	B TO+	9	J	D TO+	9
K	B TO-	10	K	D TO-	10
L	B FO+	11	L	D FO+	11
M	B FO-	12	M	D FO-	12
N	B RTS+	13	N	D RTS+	13
P	B RTS-	14	P	D RTS-	14
R	B CTS+	15	R	D CTS+	15
S	B CTS-	16	S	D CTS-	16
T	GROUND	17	T	GROUND	17



UNIVERSITY OF CALIFORNIA LICK OBSERVATORY		READ OUT ROOM JUNCTION BOX WIRING PRIME FOCUS CAMERA	
		DES'N BY: B. Alcott	ORIGIN DATE: 04-22-94
Last SN:		MODIFY DATE: 09-07-10	DWG. NO. NUM. 1 OF 1
PATH: PFCAM\RORJBOX		REV. B	EL-1169-1L - M

REVISION

02-18-99 CONVERTED TO ACCEL EDA (V14)  
09-07-10 MOVED TO PFCAM