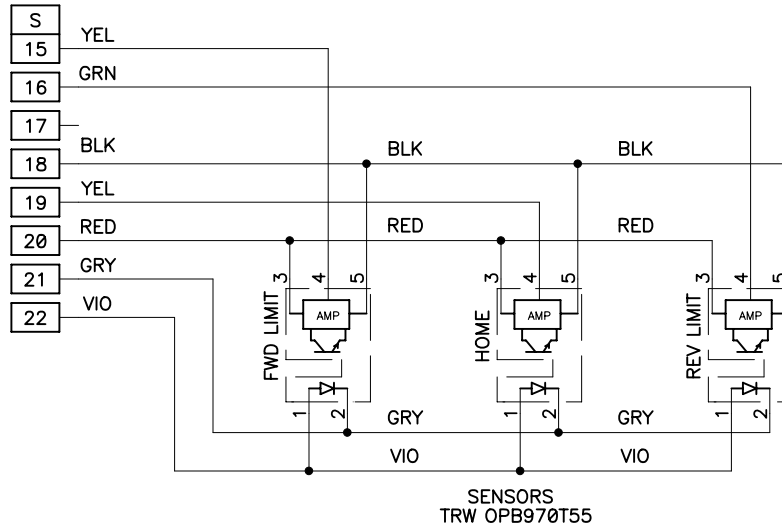
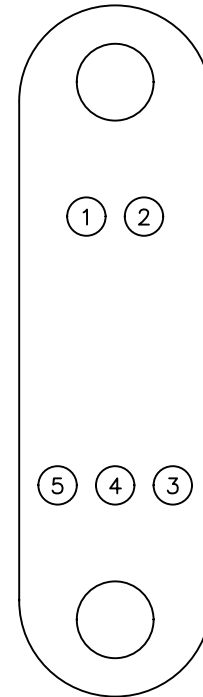


UNIVERSITY OF CALIFORNIA LICK OBSERVATORY		GUIDE CAMERA TRANSLATION STAGE WIRING PRIME FOCUS CAMERA	
REVISION		DES'N BY: B. Alcott	ORIGIN DATE: 1/19/96
09-17-97 REMOVED TERMINALS 13 & 14 FROM TB1 01-23-98 ADDED SECOND SHEET FOR LIMIT SWITCHES 04-23-09 ADDED WIRE COLORS		DRAWN BY:	MODIFY DATE: 04-23-09
PATH: PFCAM\TVTRANS		REV. A	DWG. NO. EL-3250-1L
		NUM. 1 OF 2	

LIMITS LOCATED ON STAGE



BOTTOM VIEW



1 = ANODE
2 = CATHODE

3 = Vcc
4 = OUT
5 = GND

UNIVERSITY OF CALIFORNIA
LICK OBSERVATORY

GUIDE CAMERA TRANSLATION
STAGE WIRING
PRIME FOCUS CAMERA

REVISION

04-23-09 CORRECTED SENSOR WIRING AND ADDED WIRE COLORS

DES'N BY: B. Alcott

ORIGIN DATE: 1/19/96

DWG. NO. NUM. 2 OF 2

DRAWN BY:

MODIFY DATE: 04-23-09

PATH: PFCAM\TVTRANSL

REV. A

EL-3250-1L