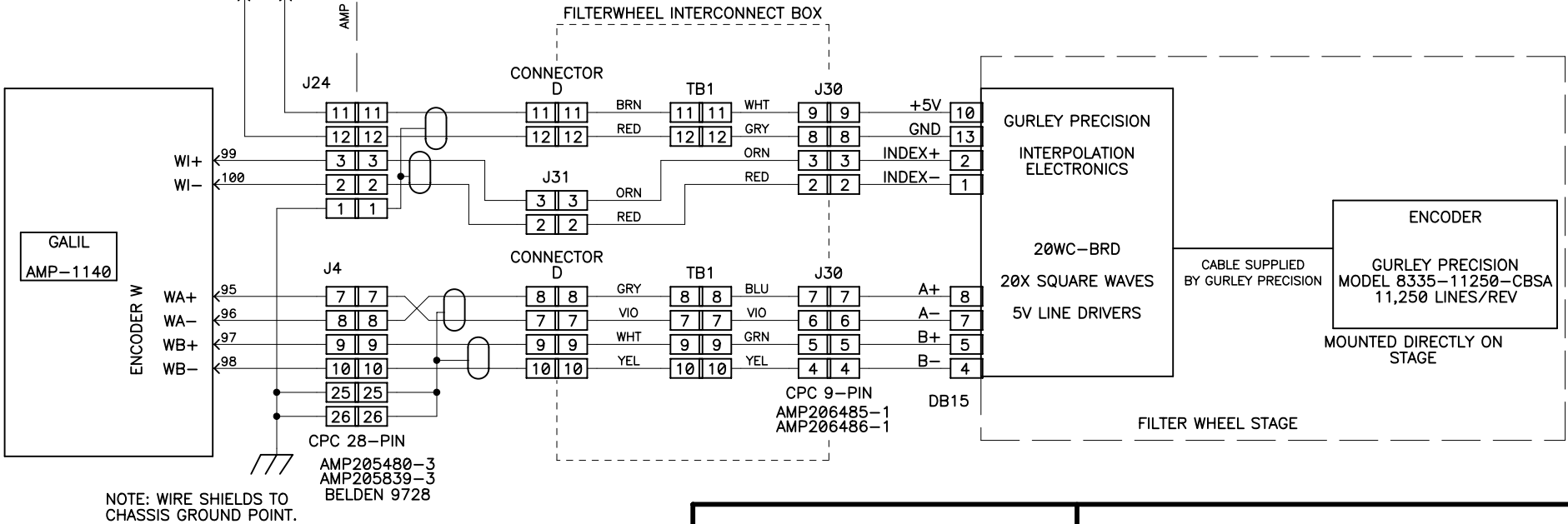
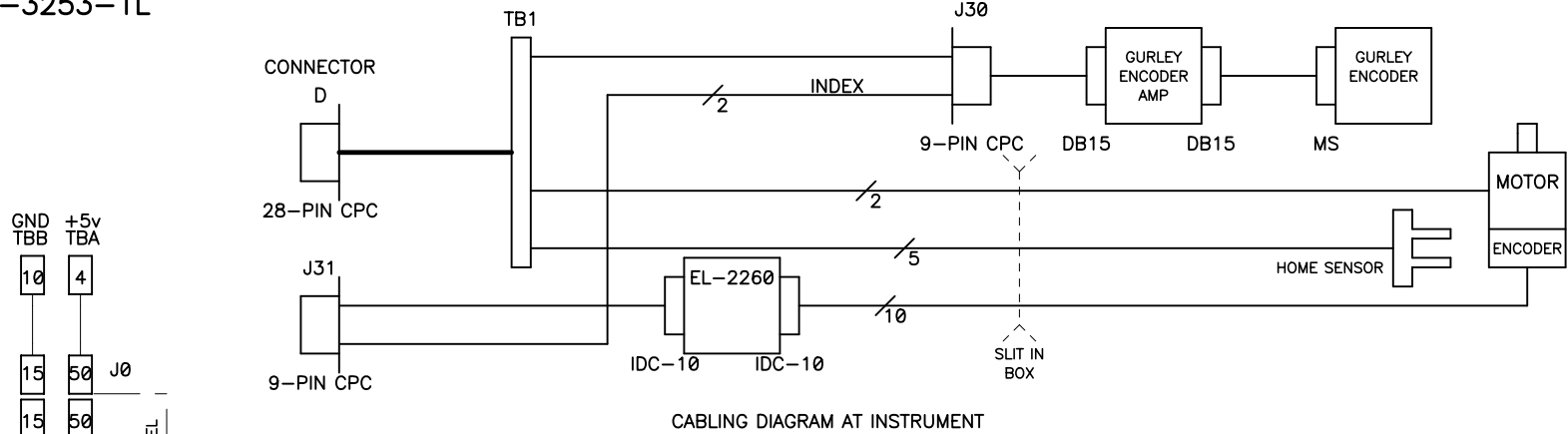


ALSO SEE EL-3253-1L



UNIVERSITY OF CALIFORNIA  
LICK OBSERVATORY

FILTER WHEEL ENCODER WIRING  
PRIME FOCUS CAMERA

09-17-97 SWAPPED ENCODER INPUT WITH MOTOR ENCODER (ALSO SEE EL-3253-1L)  
04-17-09 ADDED J30 PER ACTUAL WIRING AND CABLING DIAGRAM

DES'N BY: B. Alcott	ORIGIN DATE: 1/19/96
DRAWN BY:	MODIFY DATE: 04-17-09
PATH: PFCAM\FILENCOD	REV. A

DWG. NO. NUM. 1 OF 1

EL-3254-1L