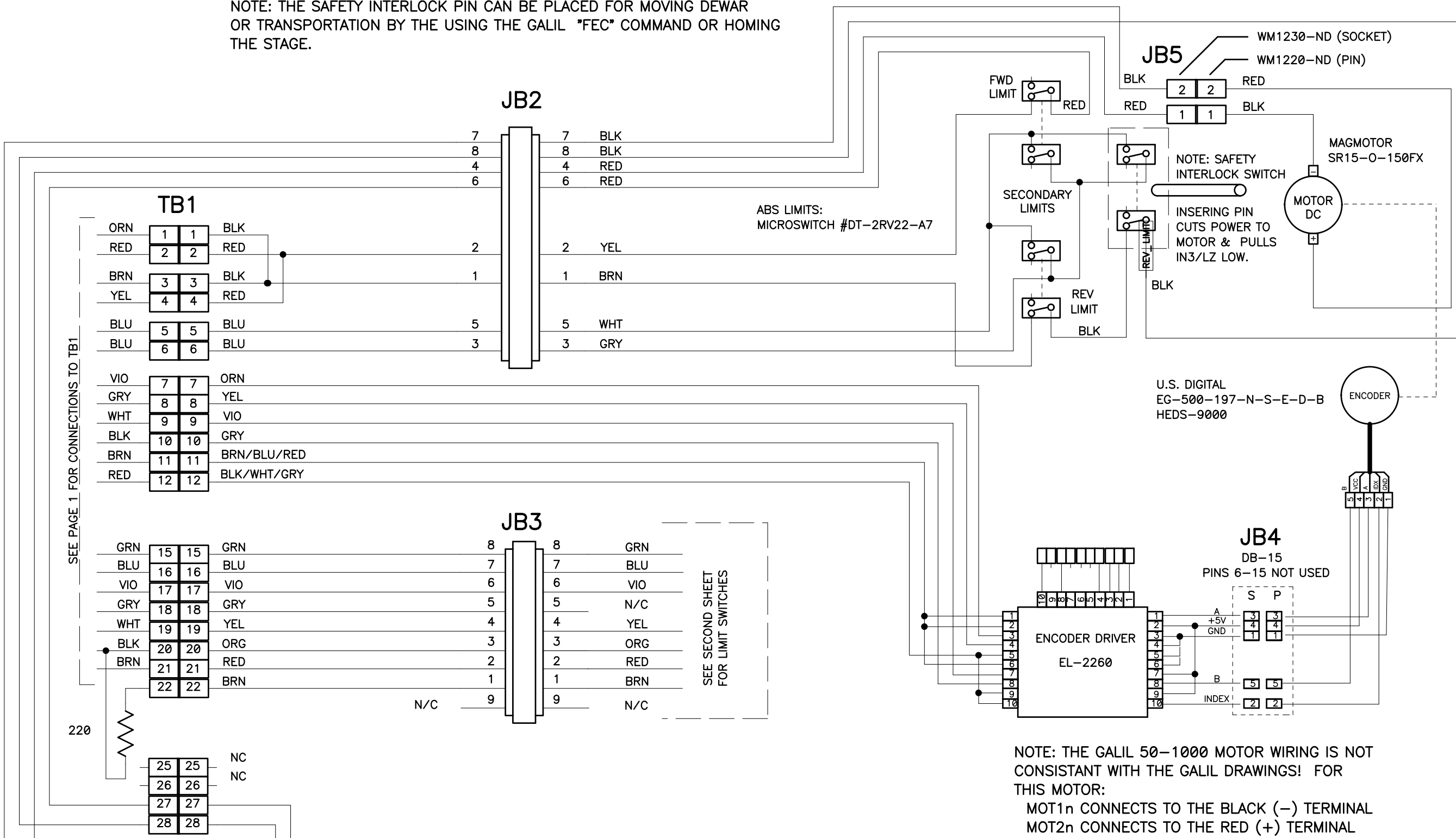


NOTE: THE SAFETY INTERLOCK PIN CAN BE PLACED FOR MOVING DEWAR OR TRANSPORTATION BY THE USING THE GALIL *FEC* COMMAND OR HOMING THE STAGE.



SEE PAGE 1 FOR CONNECTIONS TO TB1

SEE SECOND SHEET FOR LIMIT SWITCHES

REVISION

UNIVERSITY OF CALIFORNIA LICK OBSERVATORY		CCD FOCUS STAGE WIRING PRIME FOCUS CAMERA	
DES'N BY: B. Alcott	ORIGIN DATE: 4/28/95	DWG. NO.	NUM. 3 OF 3
DRAWN BY:	MODIFY DATE: 08-25-10	EL-3252-1L	
PATH: PFCAM\CCDFOCUS	REV. B		