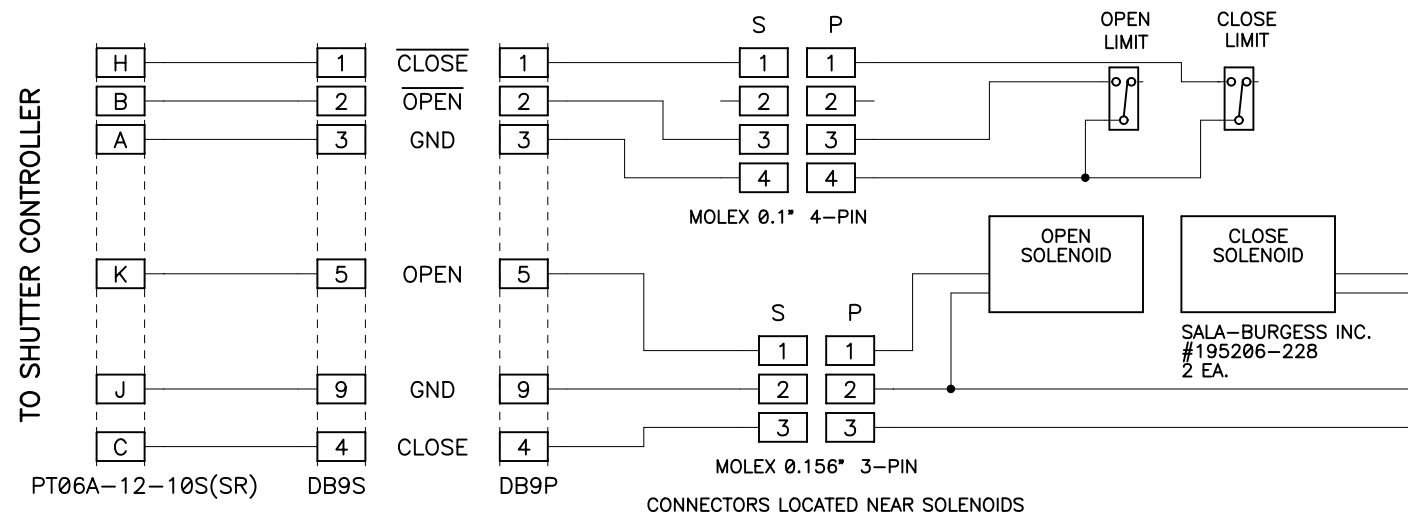
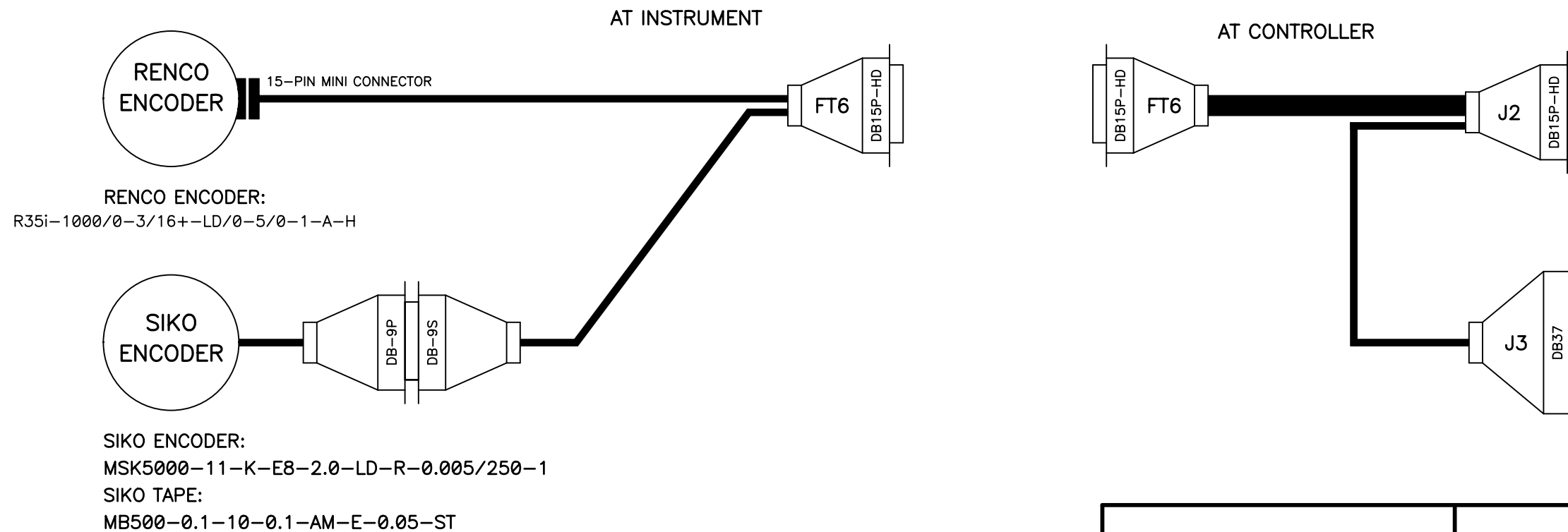


SHUTTER WIRING



ENCODER CABLING



REVISIONS		/schematics/LRIS_dewar_stage_sh_3.pdf
10-10-08	ADDED SHUTTER WIRING BLOCK	
11-18-08	REWORKED CABLE COB=NNECTED SIGNALS. SIKO LINE CONNECTED TO HALLB AND US DIGITAL SIGNAL WIRED TO HALLC	
01-13-09	UPDATED TUNING NUMBERS. CHANGED ENCODER CABLE DISCONNECT TO INPUT 2 (LOAD/SLIDE) INPUT 4 (MOTOR ENCODER).	
03-04-09	ADDED MOLEX CONNECTORS AT SOLENOIDS	
04-03-09	ADDED CABLES FROM 'RING OF FIRE' AND INSTRUMENT	
04-07-09	REMOVED SUPERFLUOUS ENCODER WIRING AND REARRANGED DRAWING WITH NEW TITLES	

UNIVERSITY OF CALIFORNIA LICK OBSERVATORY		LRIS UPGRADE CCD DEWAR FOCUS STAGE	
DES'N BY: B. Alcott	ORIGIN DATE: 07-21-08	DWG. NO.	NUM. 3 OF 3
Last SN	MODIFY DATE: 04-07-09	EL-4250	REV. C
PRINT TIME: 15:07:59	PRINT DATE: Tue Jun 23, 2009		
PATH: LRIS-2007\		LRIS_dewar_stage_C.sch	