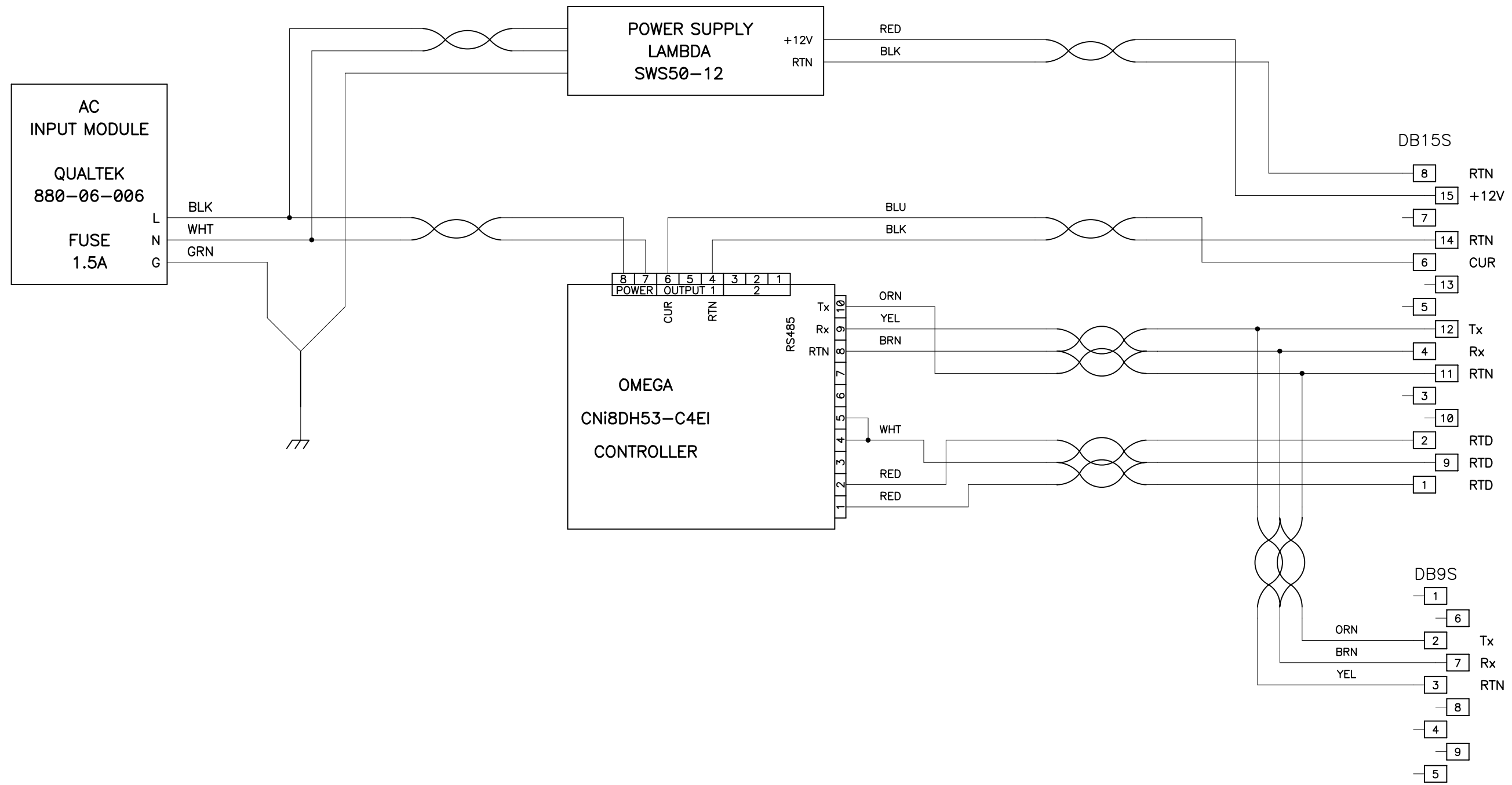


COOLANT TEMPERATURE CONTROL BOX



REVISIONS /schematics/LRIS\_coolant\_temp\_sh\_2 .pdf

06-23-09 ADDED SIGNAL NAMES

UNIVERSITY OF CALIFORNIA LICK OBSERVATORY		LRIS UPGRADE CCD CONTROLLER COOLANT TEMPERATURE SYSTEM	
DES'N BY: B. Alcott	ORIGIN DATE: 05-07-09	DWG. NO.	NUM. 2 OF 2
Last SN	MODIFY DATE: 06-23-09	EL-4251	REV. A
PRINT TIME: 17:39:26	PRINT DATE: Tue Jun 23, 2009		
PATH: LRIS-2007\		LRIS_coolant_temp.sch	