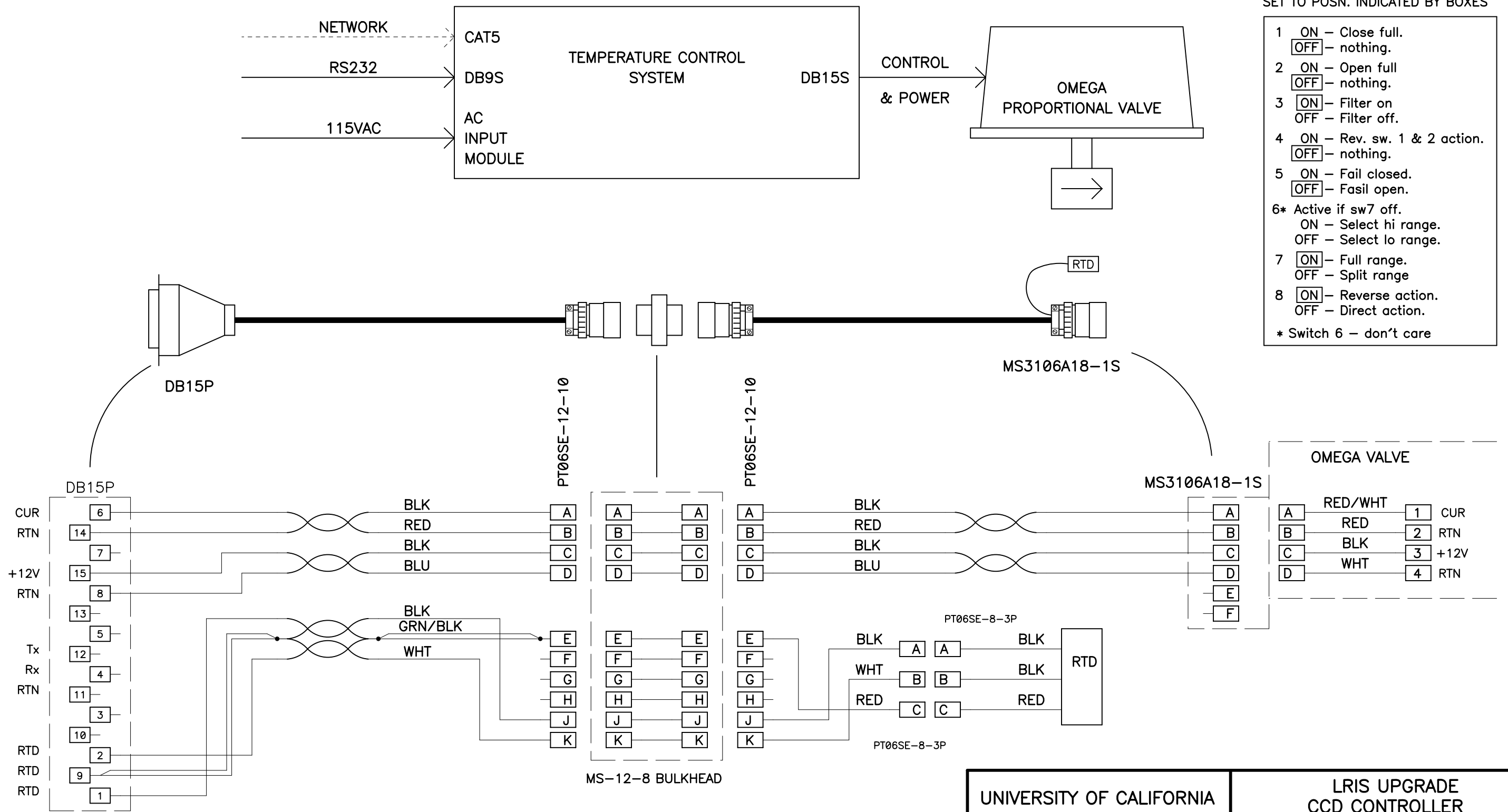


# COOLANT TEMPERATURE CONTROL SYSTEM OVERALL CABLING

OMEGA  
PROP. VALVE  
DIP SW. SETTINGS  
SET TO POSN. INDICATED BY BOXES



- 1  ON - Close full.  
 OFF - nothing.
  - 2  ON - Open full  
 OFF - nothing.
  - 3  ON - Filter on  
 OFF - Filter off.
  - 4  ON - Rev. sw. 1 & 2 action.  
 OFF - nothing.
  - 5  ON - Fail closed.  
 OFF - Fail open.
  - 6\*  Active if sw7 off.  
 ON - Select hi range.  
 OFF - Select lo range.
  - 7  ON - Full range.  
 OFF - Split range
  - 8  ON - Reverse action.  
 OFF - Direct action.
- \* Switch 6 - don't care

**REVISIONS**

05-19-09 ADDED CONTROL CABLE WIRING FOR OMEGA PROPORTIONAL VALVE

06-08-09 ADDED PROP. VALVE DIP SWITCH SETTINGS

06-23-09 CORRECTED INTERNAL VALVE WIRING AND ADDED SIGNAL NAMES

08-04-09 ADDED CHANGES PER MARC KASSIS

/schematics/LRIS\_coolant\_temp\_sh\_1.pdf

<b>UNIVERSITY OF CALIFORNIA LICK OBSERVATORY</b>		<b>LRIS UPGRADE CCD CONTROLLER COOLANT TEMPERATURE SYSTEM</b>	
DES'N BY: B. Alcott	ORIGIN DATE: 05-07-09	DWG. NO.	NUM. 1 OF 2
Last SN	MODIFY DATE: 08-04-09	<b>EL-4251</b>	REV. <b>A</b>
PRINT TIME: 09:23:29	PRINT DATE: Tue Aug 04, 2009		
PATH: LRIS-2007\		LRIS_coolant_temp.sch	