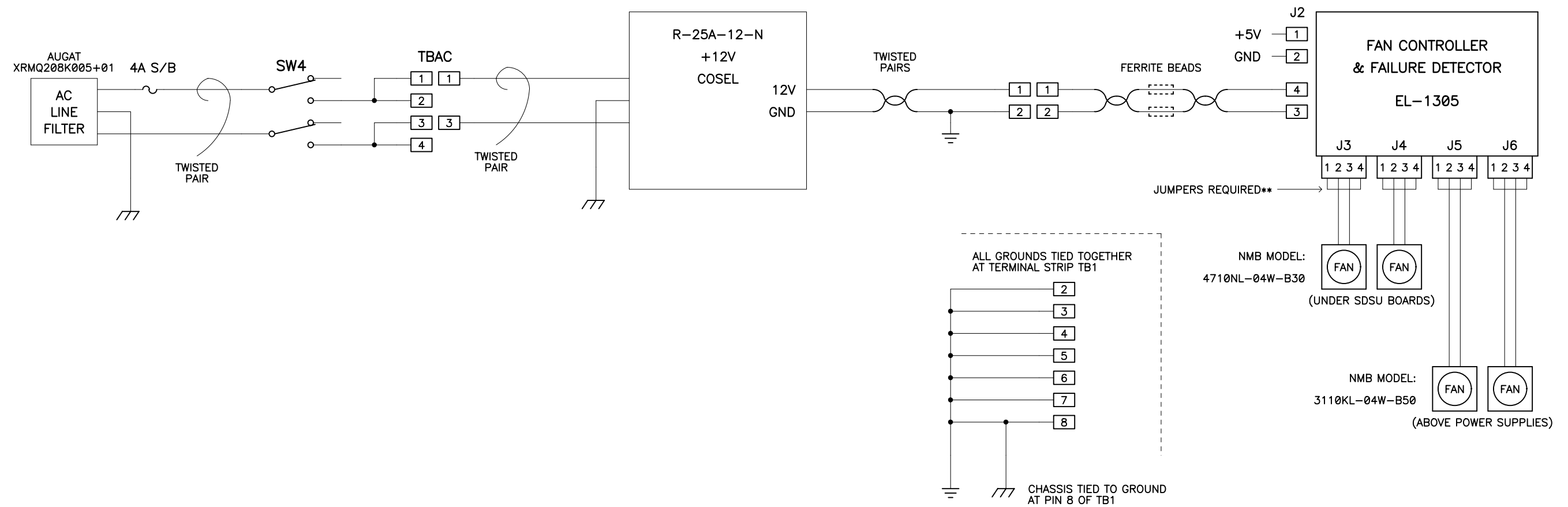


+12V WIRING



** JUMPER ON CONNECTOR ALLOWS FAIL TO FLOAT HIGH IF NO FAN IS CONNECTED.

REVISIONS

UNIVERSITY OF CALIFORNIA LICK OBSERVATORY		POWER DISTRIBUTION HIRES CCD CONTROLLER	
DES'N BY: B. Alcott	ORIGIN DATE: 06-11-03	DWG. NO. EL-3417	NUM. 5 OF 5
Last SN	MODIFY DATE:	REV. A	
PRINT TIME: 14:57:31	PRINT DATE: Thu Oct 30, 2003		
PATH: HIRES\CCD_UPGRADE		h_pwrdis.sch	