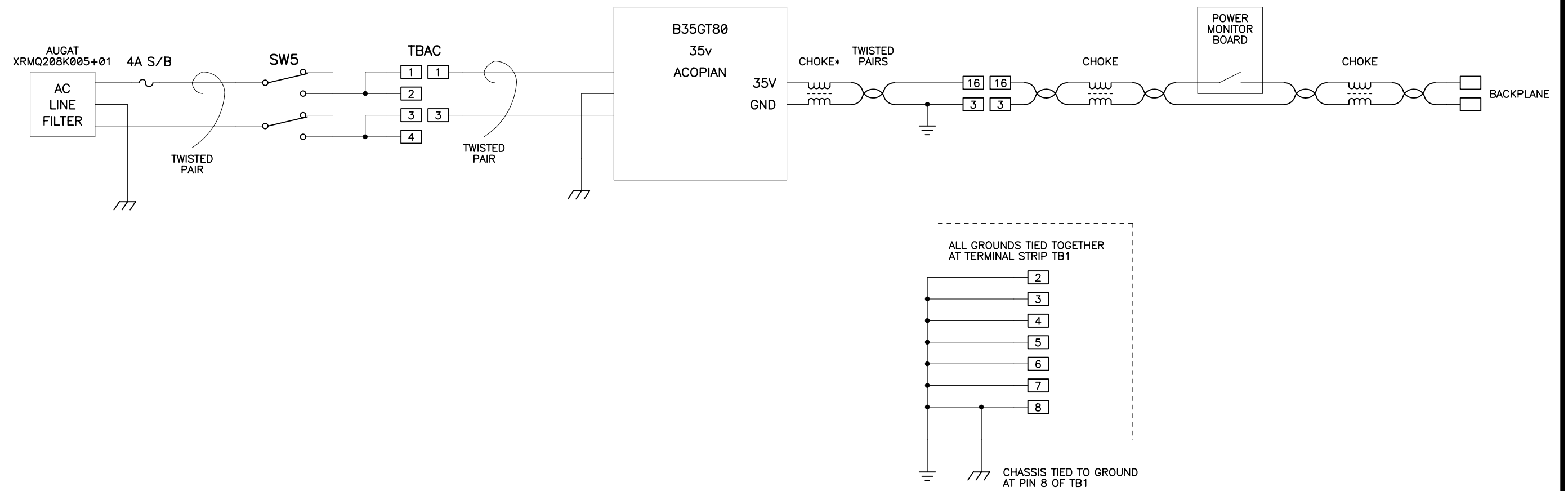


# +35V WIRING



REVISIONS

UNIVERSITY OF CALIFORNIA LICK OBSERVATORY		POWER DISTRIBUTION HIRES CCD CONTROLLER	
DES'N BY: B. Alcott	ORIGIN DATE: 06-11-03	DWG. NO.	NUM. 4 OF 5
Last SN	MODIFY DATE:	EL-3417	REV. A
PRINT TIME: 14:57:21	PRINT DATE: Thu Oct 30, 2003		
PATH: HIRES\CCD_UPGRADE		h_pwrdis.sch	