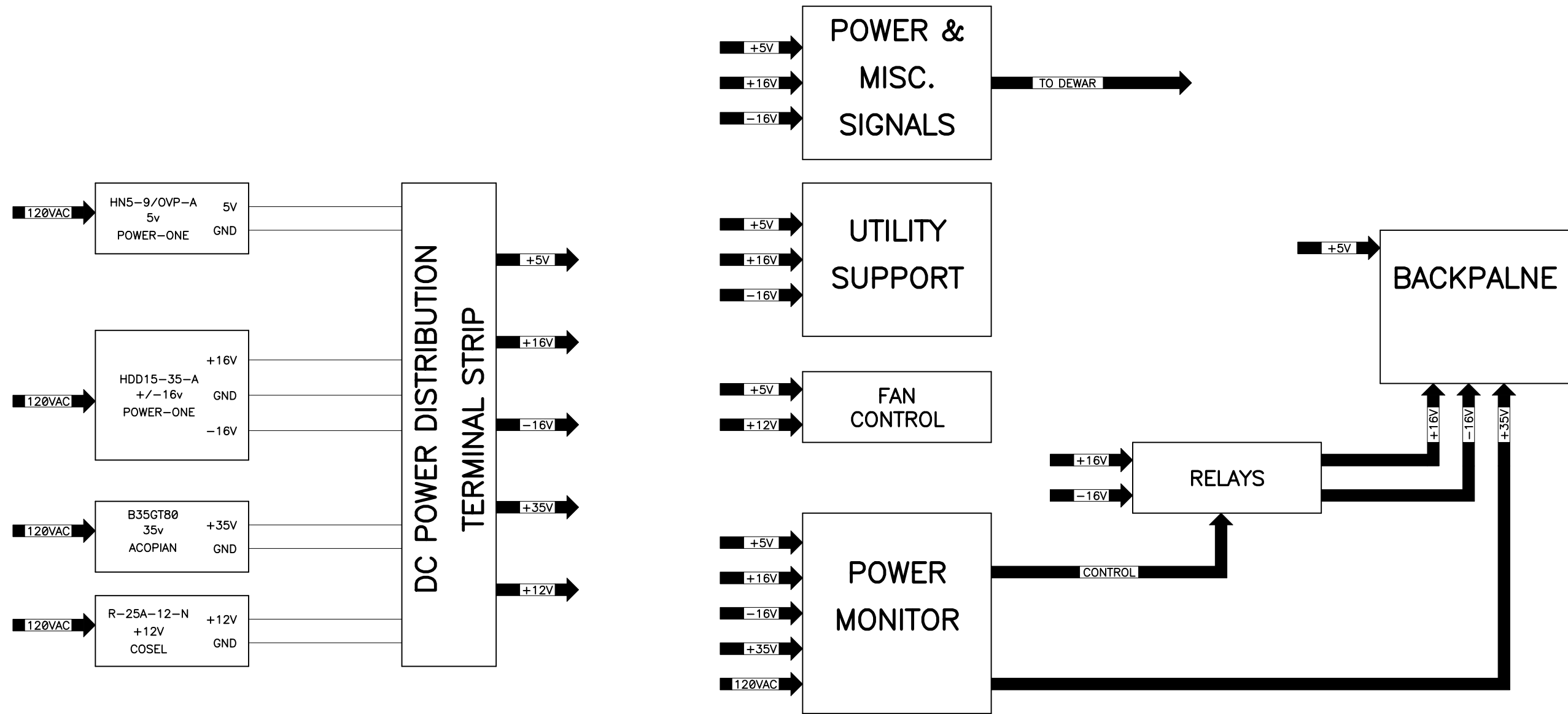


# BLOCK DIAGRAM



REVISIONS

UNIVERSITY OF CALIFORNIA  
LICK OBSERVATORY

POWER DISTRIBUTION  
HIRES CCD CONTROLLER

DES'N BY: B. Alcott

ORIGIN DATE: 06-11-03

DWG. NO. NUM. 1 OF 5

Last SN

MODIFY DATE:

EL-3417

REV.  
A

PRINT TIME: 14:56:36

PRINT DATE: Thu Oct 30, 2003

PATH: HIRES\CCD\_UPGRADE

h\_pwrdis.sch