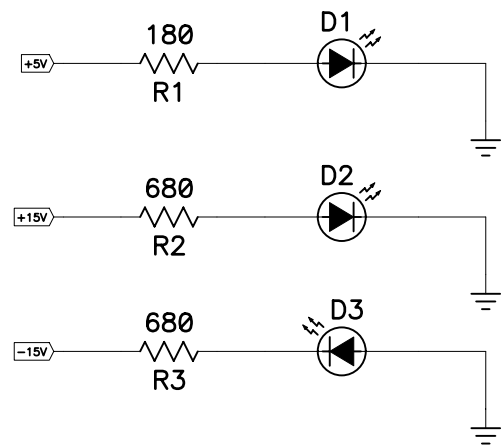
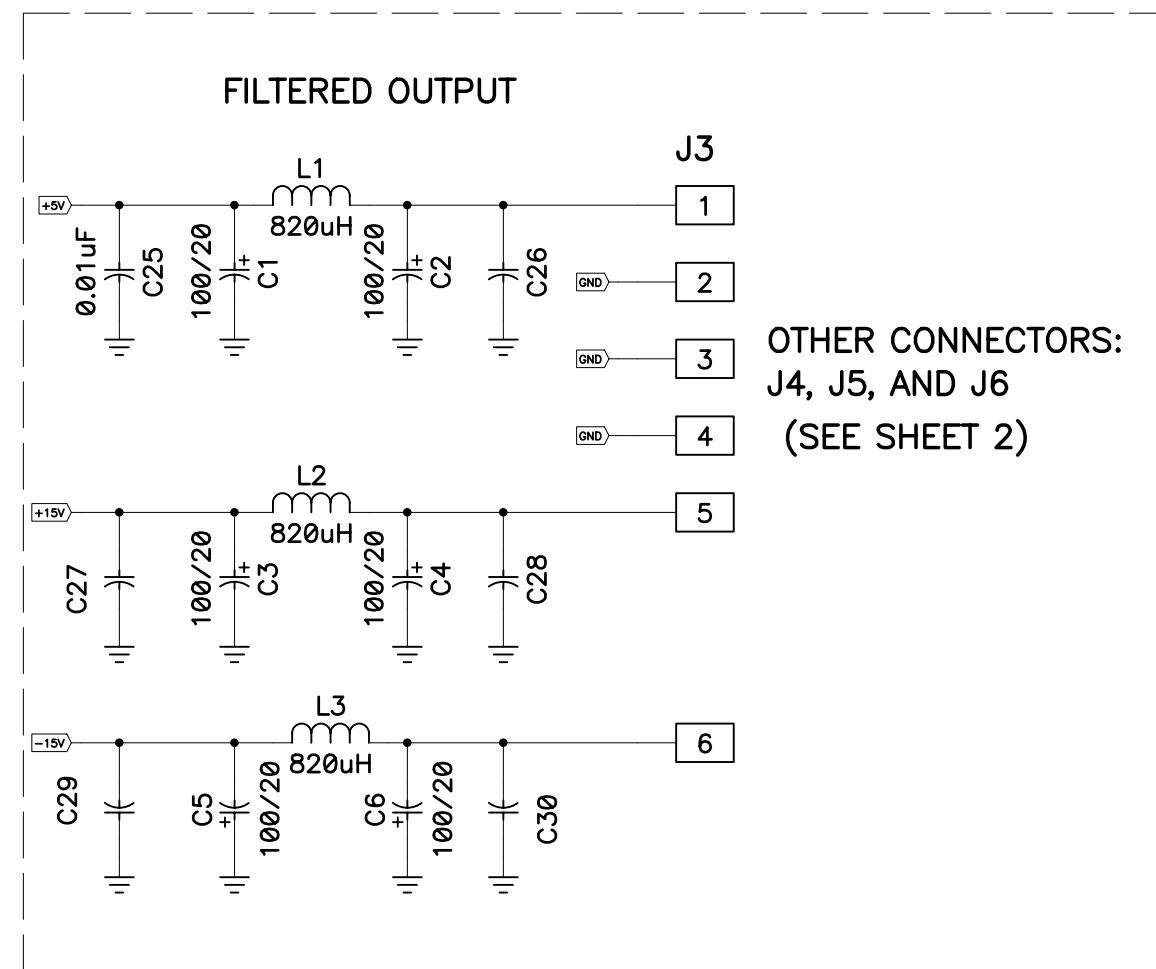


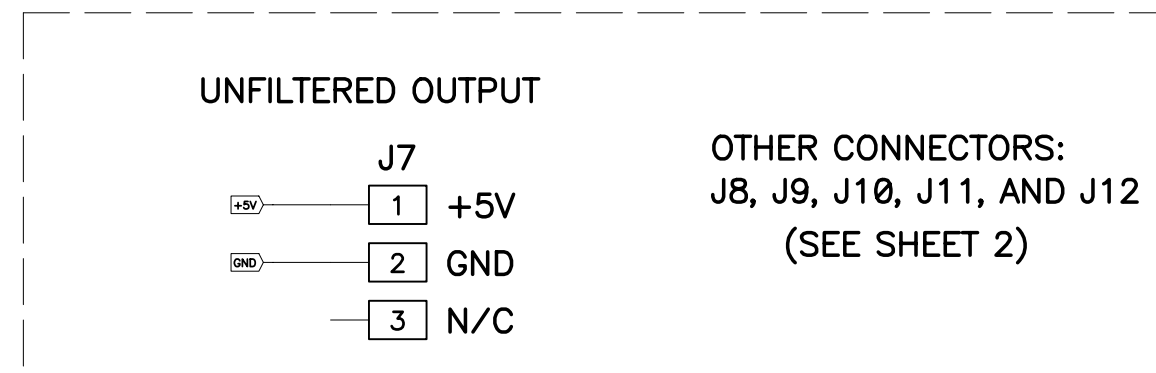
FRONT PANEL LEDS



FRONT PANEL TEST POINTS



OTHER CONNECTORS:
J4, J5, AND J6
(SEE SHEET 2)



OTHER CONNECTORS:
J8, J9, J10, J11, AND J12
(SEE SHEET 2)

REVISIONS

10-31-03 REV B. ADD PI FILTERS

UNIVERSITY OF CALIFORNIA
LICK OBSERVATORY

FOOT LOCKER INTERFACE
POWER SUPPLY
HIRES CCD UPGRADE

DES'N BY: B. Alcott

ORIGIN DATE: 07-14-03

DWG. NO.

NUM. 1 OF 2

Last SN

MODIFY DATE: 10-31-03

PRINT TIME: 15:14:08

PRINT DATE: Wed Jul 07, 2004

EL-1348

REV.
B

PATH: hires/CCD_upgrade/boards/EL1348pwrsupply ftlockpowersupplyRevB.sch