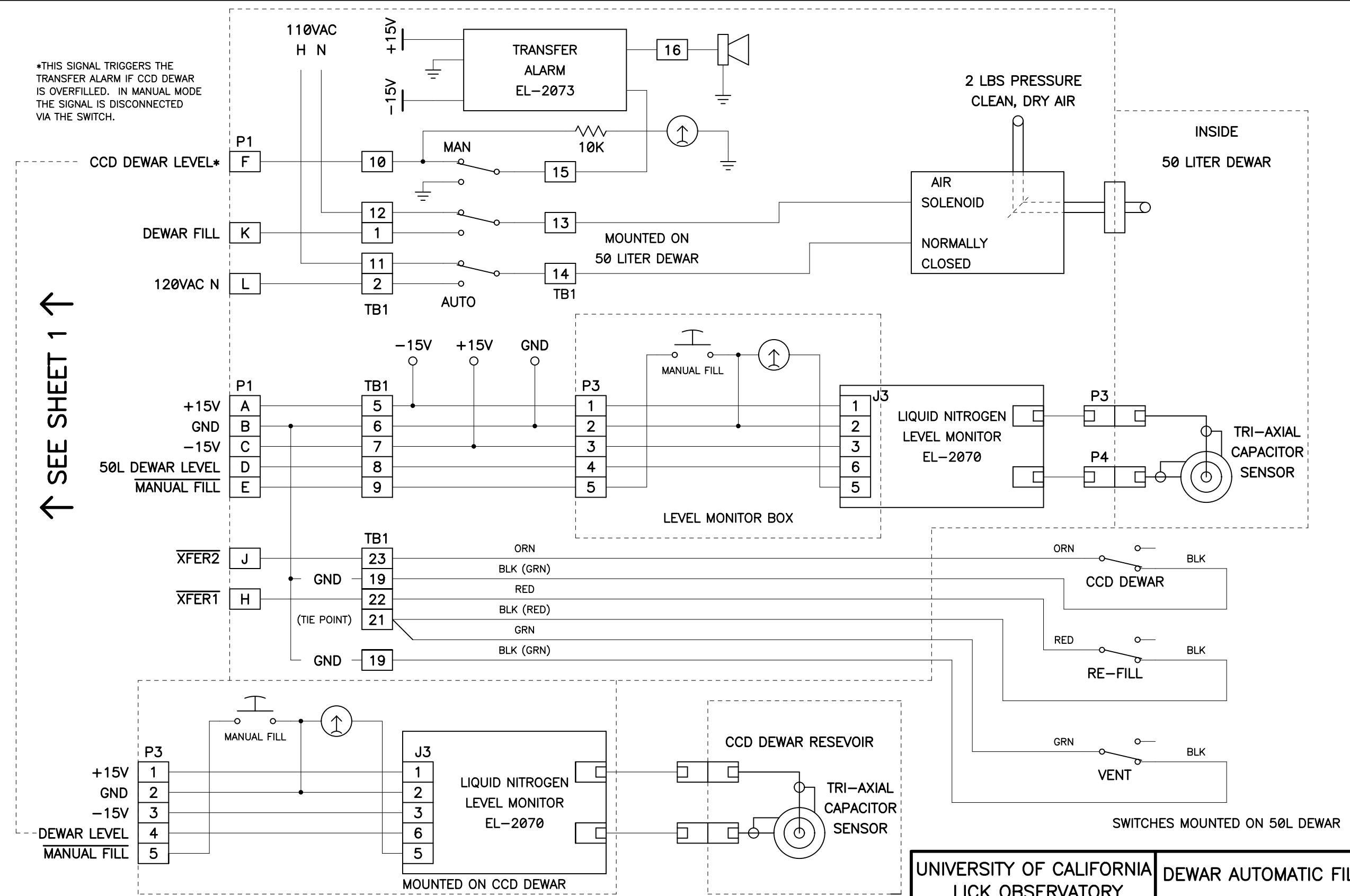


\*THIS SIGNAL TRIGGERS THE TRANSFER ALARM IF CCD DEWAR IS OVERFILLED. IN MANUAL MODE THE SIGNAL IS DISCONNECTED VIA THE SWITCH.



↑ SEE SHEET 1 ↑

REVISIONS

- 07-15-03 BROKE DRAWING INTO 2 SHEETS AND ADDED DETAILS, WATLOW IMMERSION HEATER NO LONGER USED
- 07-12-04 ADDED TRANSFER SWITCHES THAT REPORT THE POSITION OF THE TWO HAND LEAVERS MOUNTED ON THE 50L DEWAR
- 08-10-04 ADDED CABLE DETAILS AND NOTES

UNIVERSITY OF CALIFORNIA LICK OBSERVATORY		DEWAR AUTOMATIC FILL CONTROL HIRES CCD CONTROLLER	
DES'N BY: Ricketts, Alcott	ORIGIN DATE: 07-15-03	DWG. NO.	NUM. 2 OF 2
Last SN	MODIFY DATE: 08-10-04	EL-3415	REV. A
PRINT TIME: 15:11:34	PRINT DATE: Mon Aug 16, 2004		
PATH: HIRES\CCD_UPGRADE		DEWARFILL.SCH	