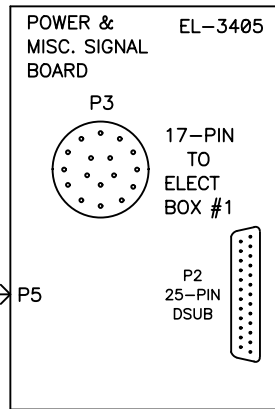


CCD CONTROLLER CHASSIS

UTILITY SUPPORT BOARD
EL-3193

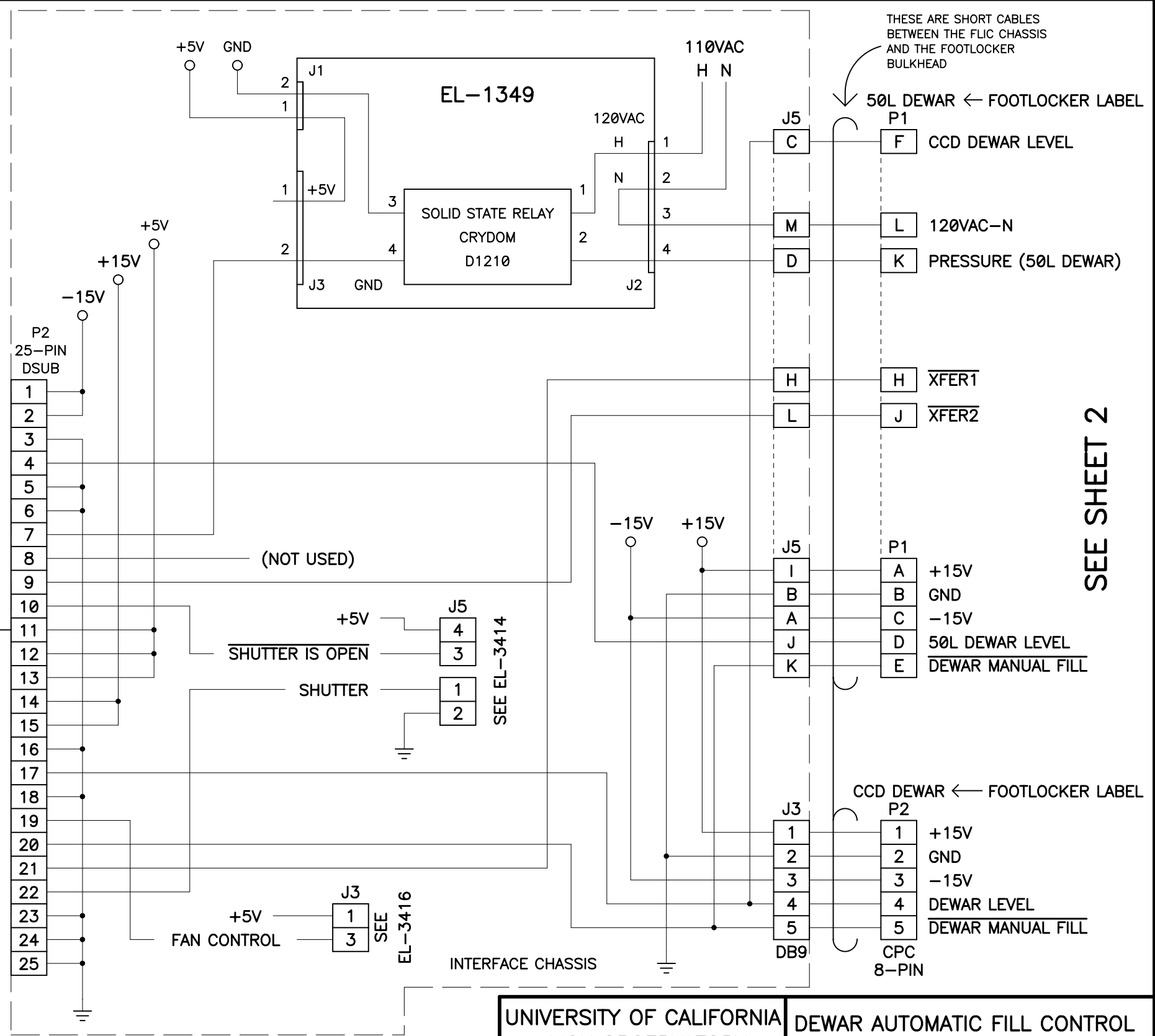
- SHUT. IS OPEN - DIN 0
- XFER1 - DIN 1
- XFER2 - DIN 2
- MAN FILL REQ - DIN 7
- DEWAR PRES. - DOUT 7
- FAN CNTL - DOUT 14
- 50L DEWAR - AIN 7
- CCD DEWAR - AIN 11

DAUGHTER BOARD



NOTES:

1. THE CABLE BETWEEN THE CCD CONTROLLER AND THE FLIC IS A DB25 (SERIAL TYPE)
2. THE SHORT CABLES BETWEEN THE FLIC AND THE FOOTLOCKER BULKHEAD ARE HAND WIRED AS FOLLOWS:
 1. 50L DEWAR: MS 14-PIN TO AMPHENOL 12-PIN
 2. CCD DEWAR: DB-9 TO CPC
 3. SHUTTER: CPC 8-PIN TO CPC 8-PIN
 4. 120VAC RECEPTACLE ON BACK OF CHASSIS



SEE SHEET 2

REVISIONS

07-15-03	BROKE DRAWING INTO 2 SHEETS AND ADDED DETAILS
07-12-04	ADDED DETAILS TO THIS PAGE
07-29-04	ADDED CONNECTORS FOR SHUTTER AND FAN OUTPUT CONNECTORS
08-10-04	ADDED CABLE DETAILS AND NOTES
11-17-04	CORRECTED CONNECTOR DESIGNATION IN TOP RIGHT CORNER: WAS P2 CHANGED TO P1

UNIVERSITY OF CALIFORNIA LICK OBSERVATORY		DEWAR AUTOMATIC FILL CONTROL HIRES CCD CONTROLLER	
DES'N BY: Ricketts, Alcott	ORIGIN DATE: 07-15-03	DWG. NO.	NUM. 1 OF 2
Last SN	MODIFY DATE: 11-17-04	EL-3415	REV. A
PRINT TIME: 14:15:30	PRINT DATE: Wed Nov 17, 2004		DEWARFILL.SCH
PATH: HIRES\CCD_UPGRADE			