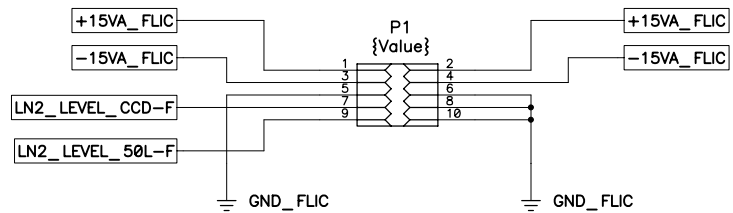
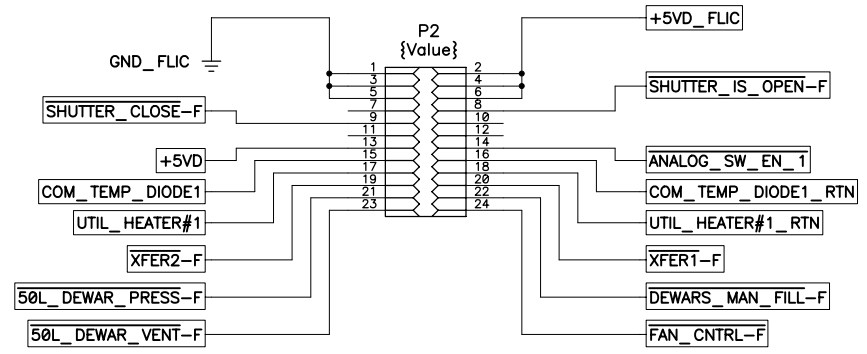


10-PIN RIBBON CABLE IDC
FROM POWER & FOOTLOCKER
INTERFACE BRD


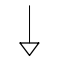
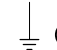


24-PIN RIBBON CABLE IDC
FROM POWER & FOOTLOCKER
INTERFACE BRD



NOTE: FLIC DENOTES "FOOTLOCKER INTERFACE CHASSIS"

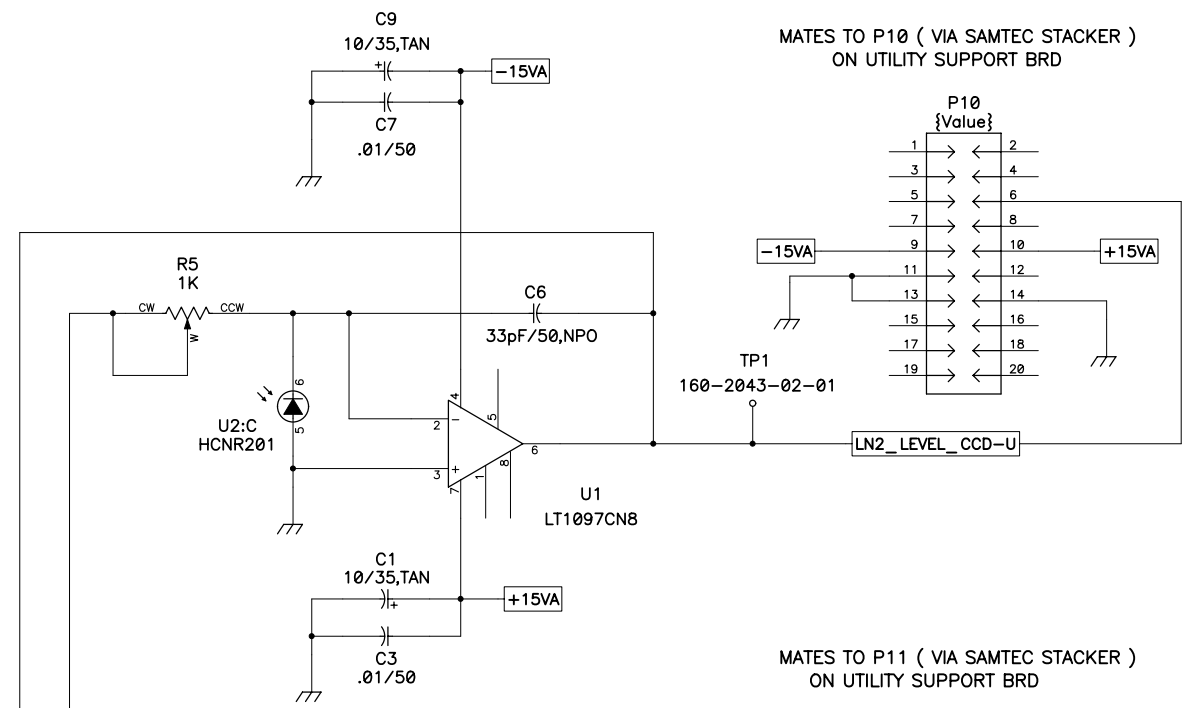
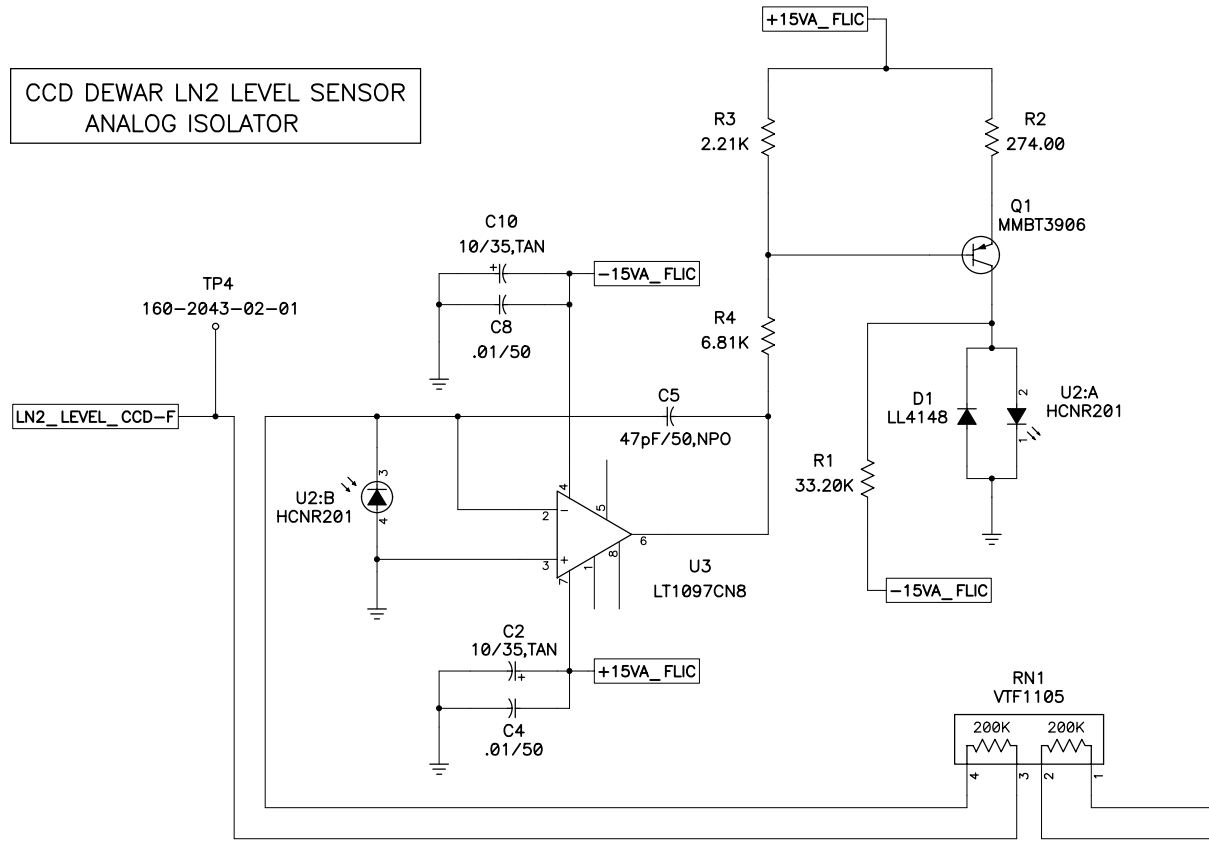
NOTE: THE FOLLOWING GROUND SYMBOLS ARE USED:

-  ANALOG GROUND
(FROM UTILITY SUPPORT BRD)
-  DIGITAL GROUND
(FROM UTILITY SUPPORT BRD)
-  ANALOG & DIGITAL GROUND
(FROM FOOTLOCKER INTERFACE CHASSIS)

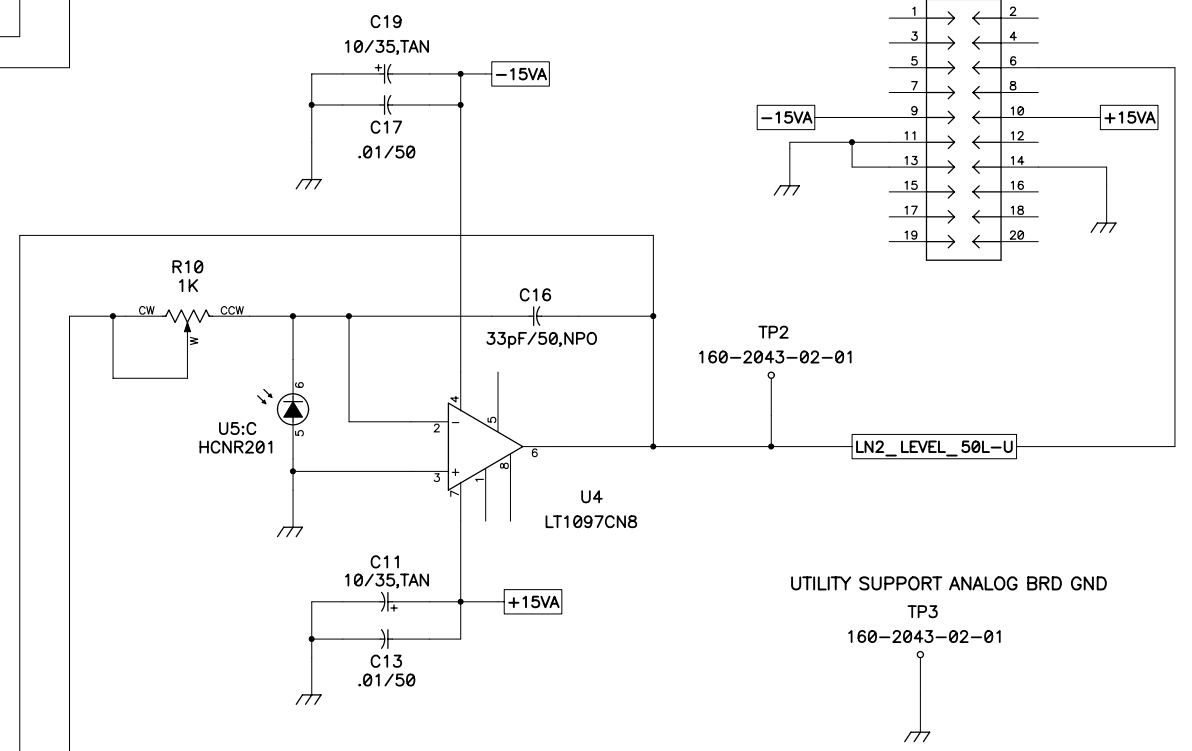
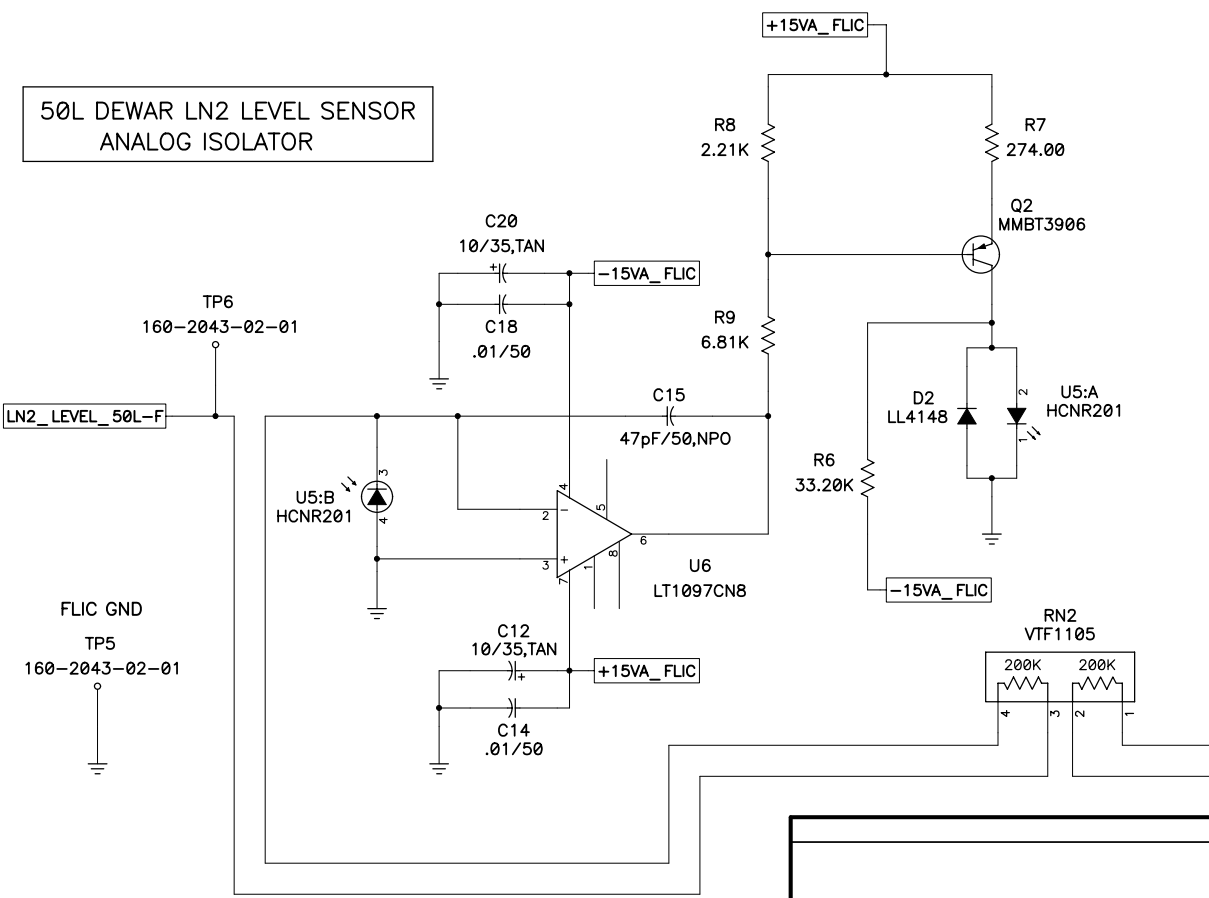
REVISION

UNIVERSITY OF CALIFORNIA LICK OBSERVATORY	
HIRES UTILITY SUPPORT DAUGHTER BOARD	
DWG. NO.	EL-3406
DES'N BY: Chris Wright	ORIGIN DATE: October 23, 2003
Last SN:	MODIFY DATE: Mon Dec 01, 2003
PRINT TIME: 12:33:48	PRINT DATE: Mon Jan 03, 2005
PATH: sdsu2ccd\boards\hires\elxxx\utilsupp_daughter.sch	SHEET 1 OF 4

CCD DEWAR LN2 LEVEL SENSOR
ANALOG ISOLATOR

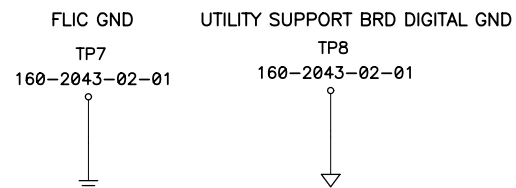
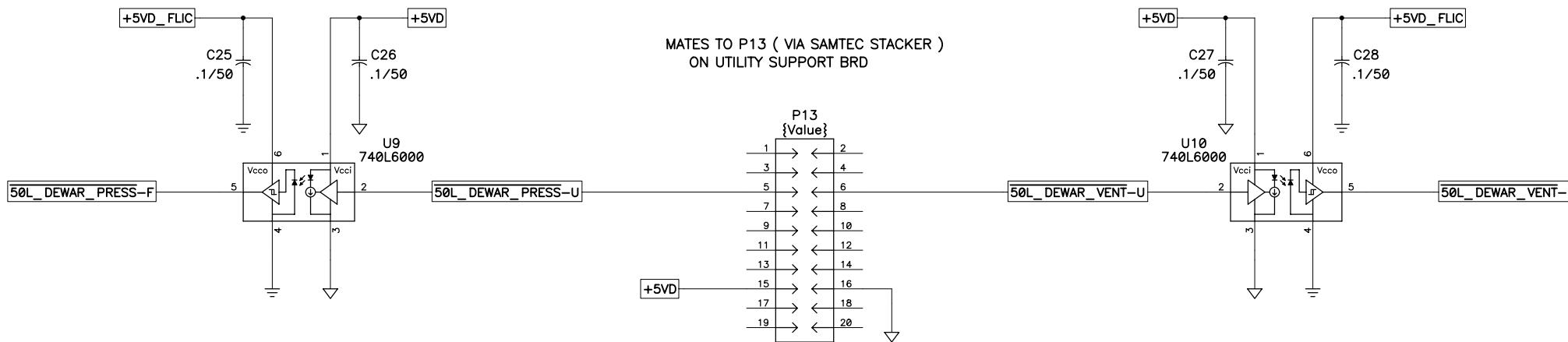
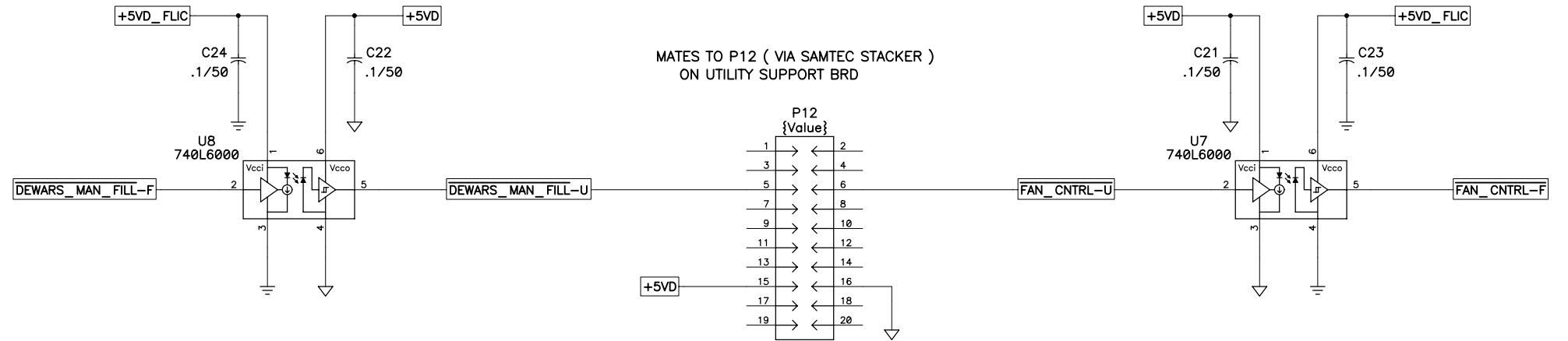


50L DEWAR LN2 LEVEL SENSOR
ANALOG ISOLATOR



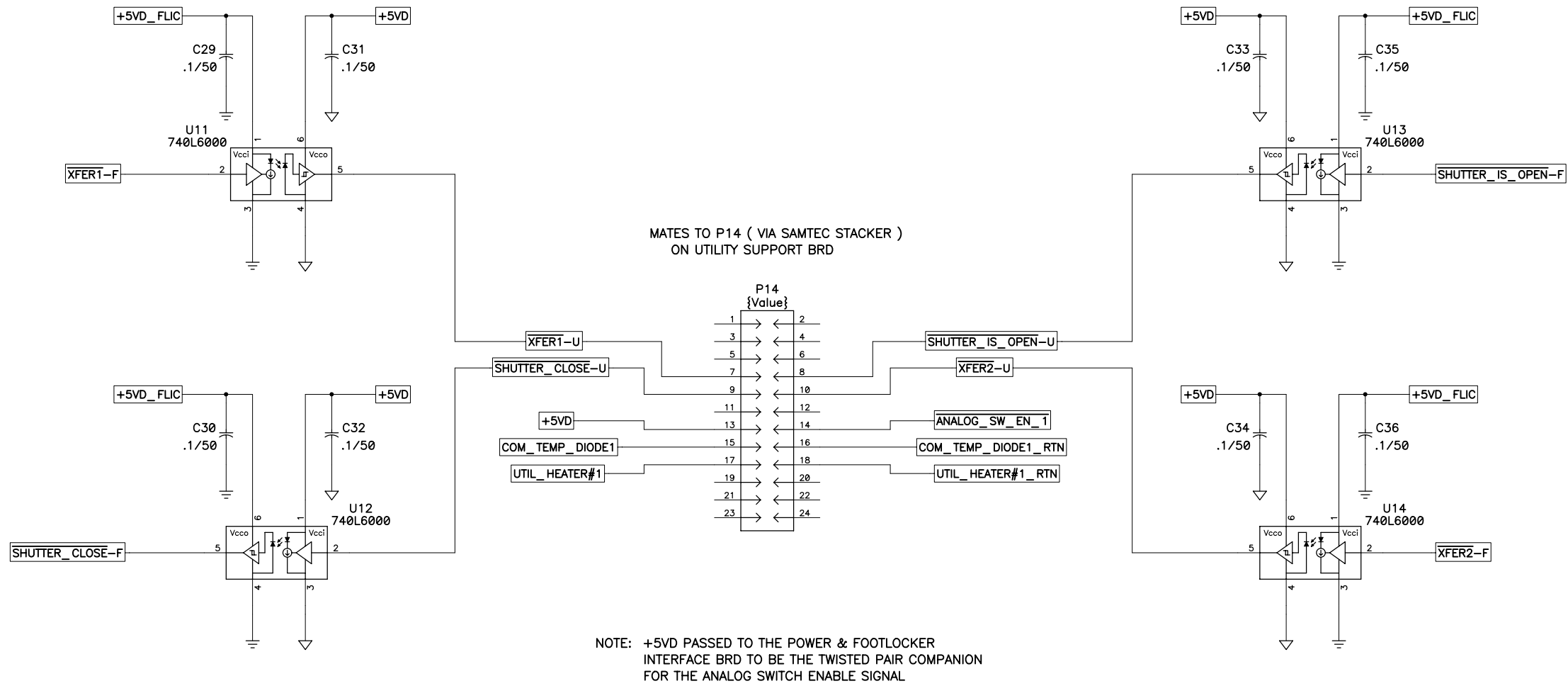
UNIVERSITY OF CALIFORNIA LICK OBSERVATORY	
HIRES UTILITY SUPPORT DAUGHTER BOARD	
DWG. NO. EL-3406	REV A
DES'N BY: Chris Wright	ORIGIN DATE: October 23, 2003
Last SN:	MODIFY DATE: Mon Dec 01, 2003
PRINT TIME: 12:33:49	PRINT DATE: Mon Jan 03, 2005
PATH: sdsu2ccd\boards\hires\elxxx\utilsupp_daughter.sch	

REVISION



REVISION

UNIVERSITY OF CALIFORNIA LICK OBSERVATORY	
HIRES UTILITY SUPPORT DAUGHTER BOARD	
DWG. NO.	EL-3406
DES'N BY: Chris Wright	REV A
ORIGIN DATE: October 23, 2003	
Last SN:	MODIFY DATE: Mon Dec 01, 2003
PRINT TIME: 12:33:49	PRINT DATE: Mon Jan 03, 2005
PATH: sdsu2ccd\boards\hires\elxxxx\utilsupp_daughter.sch	SHEET 3 OF 4



REVISION

UNIVERSITY OF CALIFORNIA LICK OBSERVATORY	
HIRES UTILITY SUPPORT DAUGHTER BOARD	
DWG. NO.	EL-3406
DES'N BY: Chris Wright	ORIGIN DATE: October 23, 2003
Last SN:	MODIFY DATE: Mon Dec 01, 2003
PRINT TIME: 12:33:49	PRINT DATE: Mon Jan 03, 2005
PATH: sdsu2ccd\boards\hires\elxxxx\utilsupp_daughter.sch	SHEET 4 OF 4