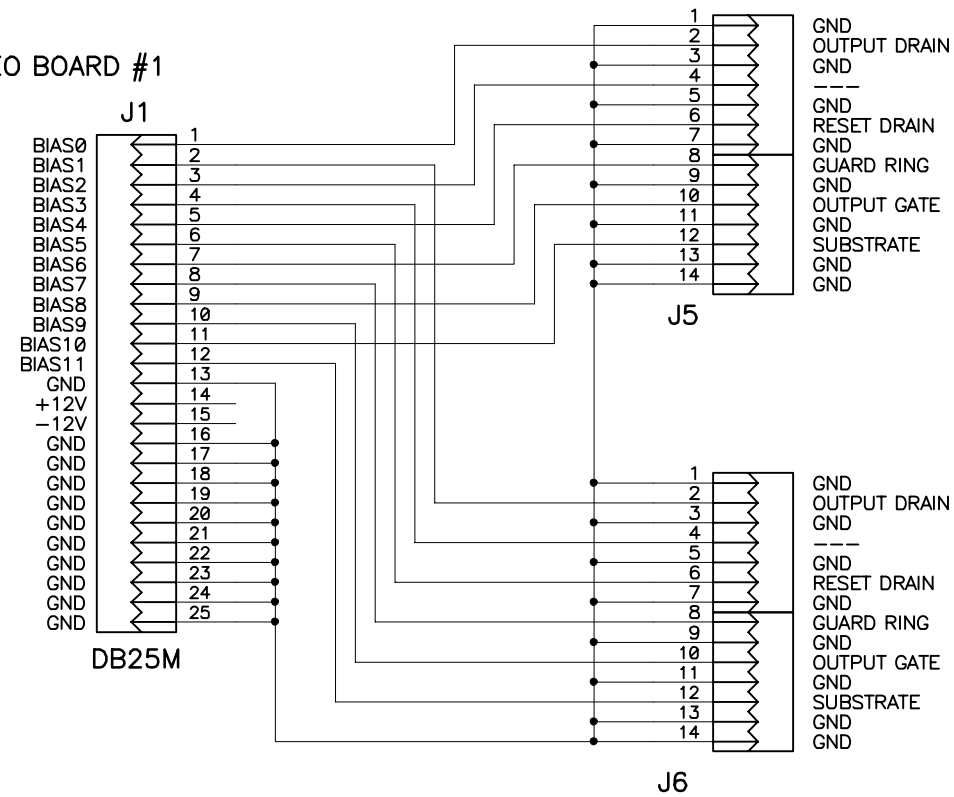


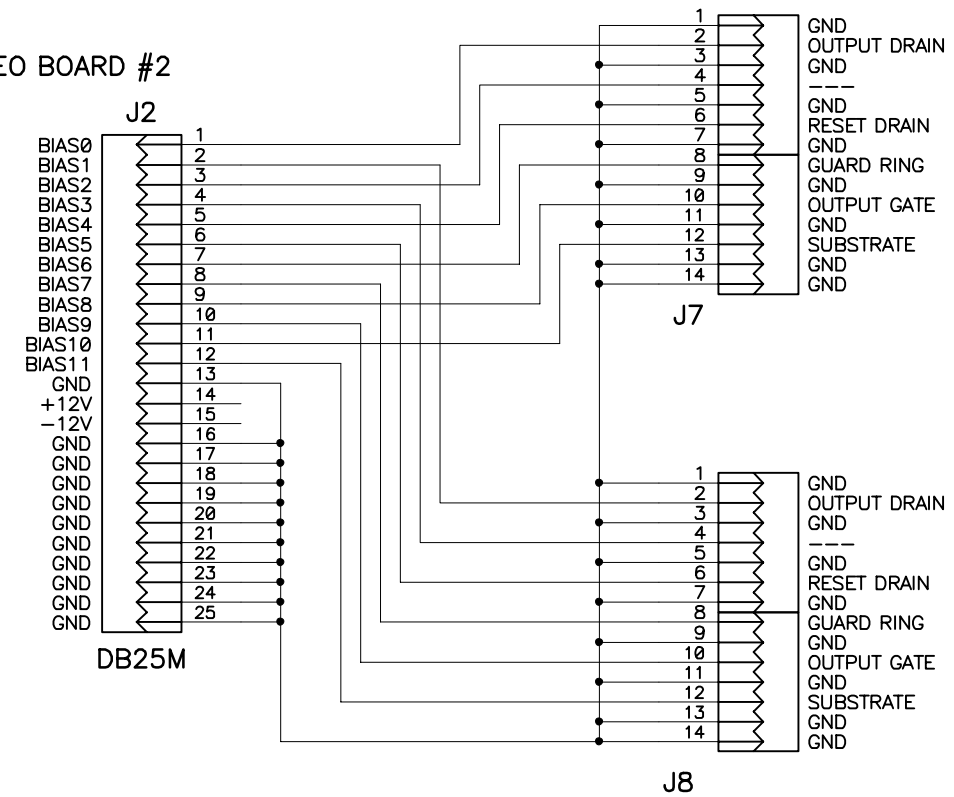
VIDEO BOARD #1



OUTPUT #1

OUTPUT #2

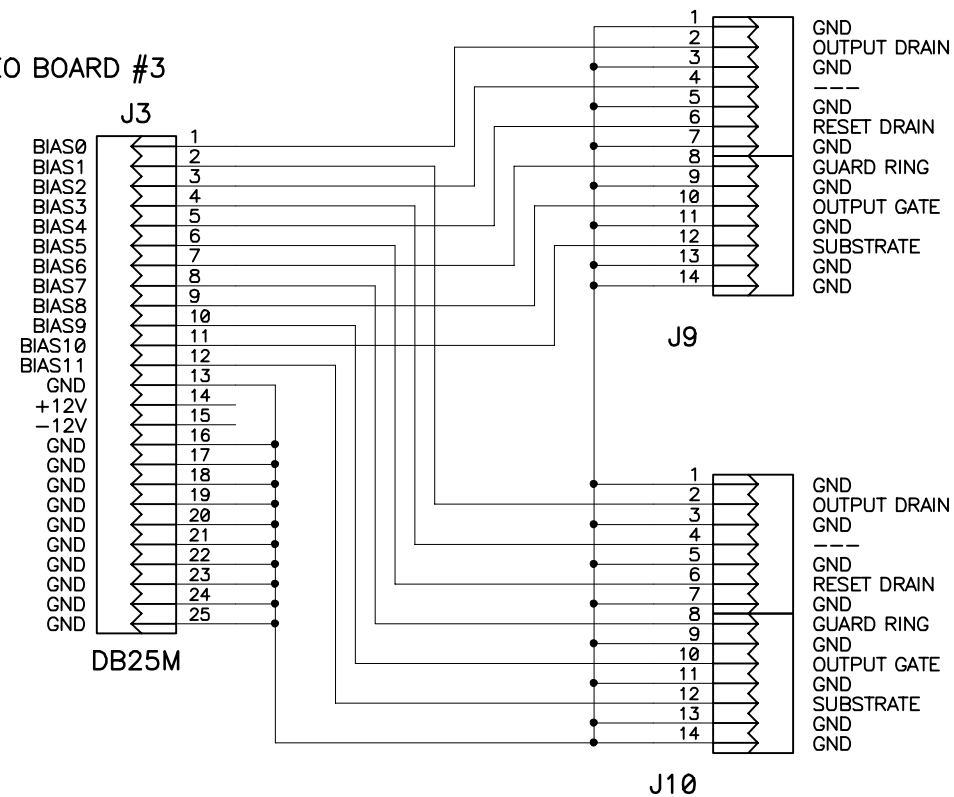
VIDEO BOARD #2



OUTPUT #3

OUTPUT #4

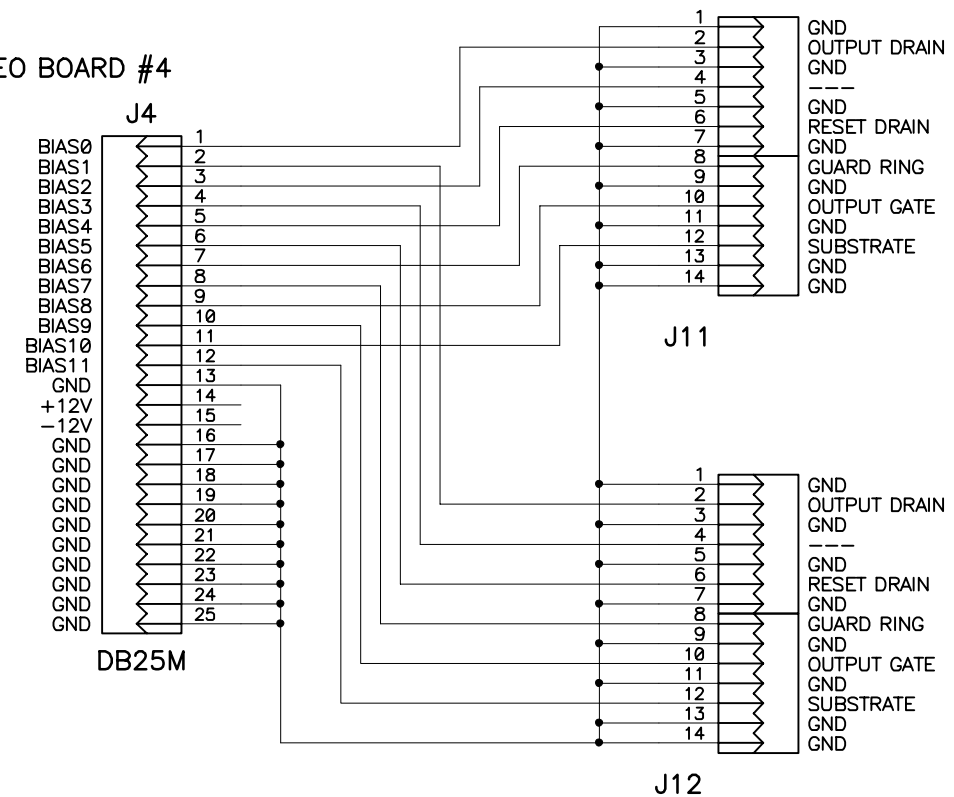
VIDEO BOARD #3



OUTPUT #5

OUTPUT #6

VIDEO BOARD #4



OUTPUT #7

OUTPUT #8

REVISION

UNIVERSITY OF CALIFORNIA
LICK OBSERVATORY

BIAS CABLE INTERCONNECT
BOARD
DEIMOS SPECTROGRAPH

DES'N BY: B. Alcott

ORIGIN DATE: 5/7/97

DWG. NO.

NUM. 1 OF 1

DRAWN BY:

MODIFY DATE:

PATH: DEIMOS\SDSUCCD2\BOARDS\EL3199\BIASCONN

REV.A

EL-3199-2S