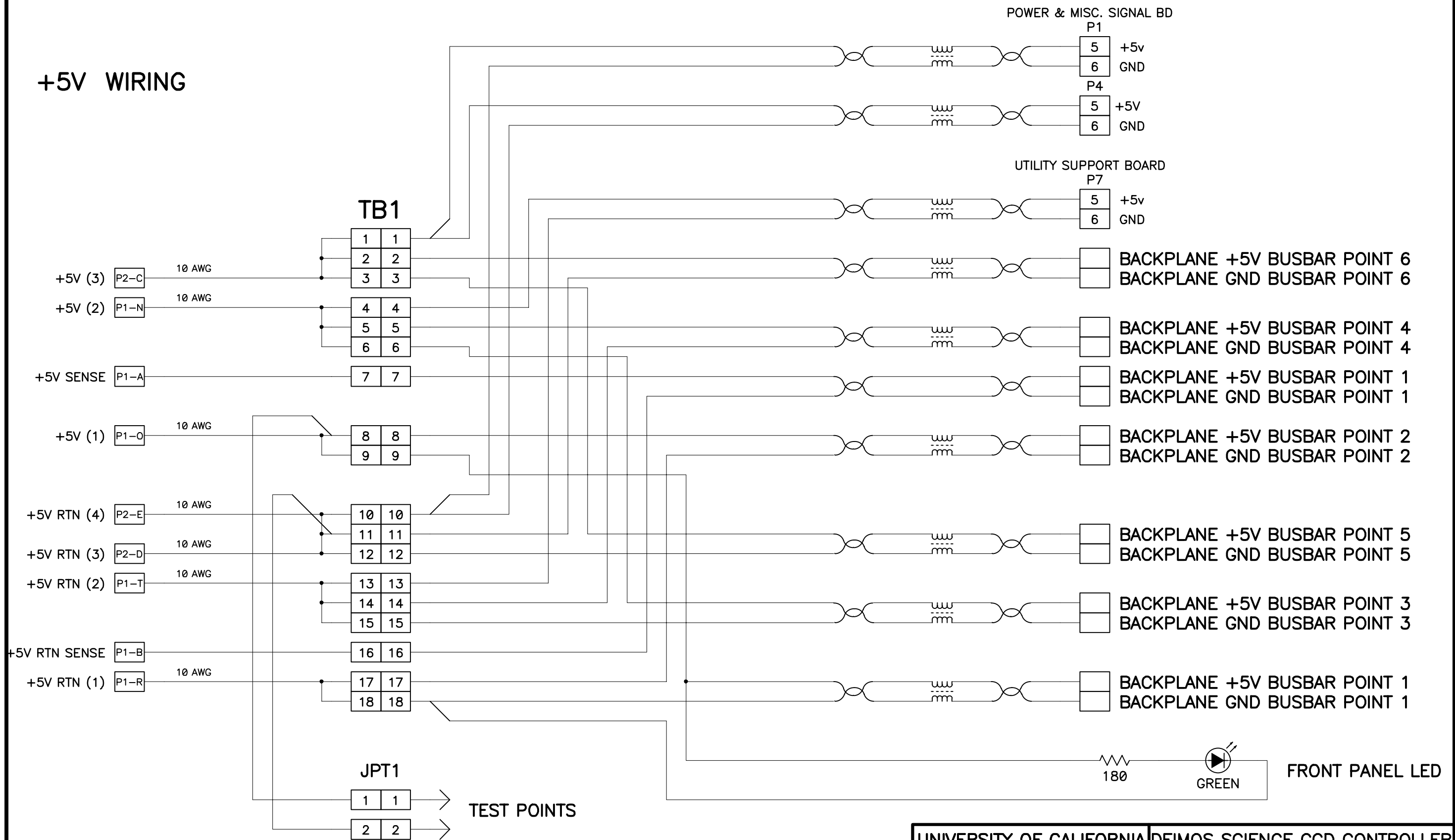


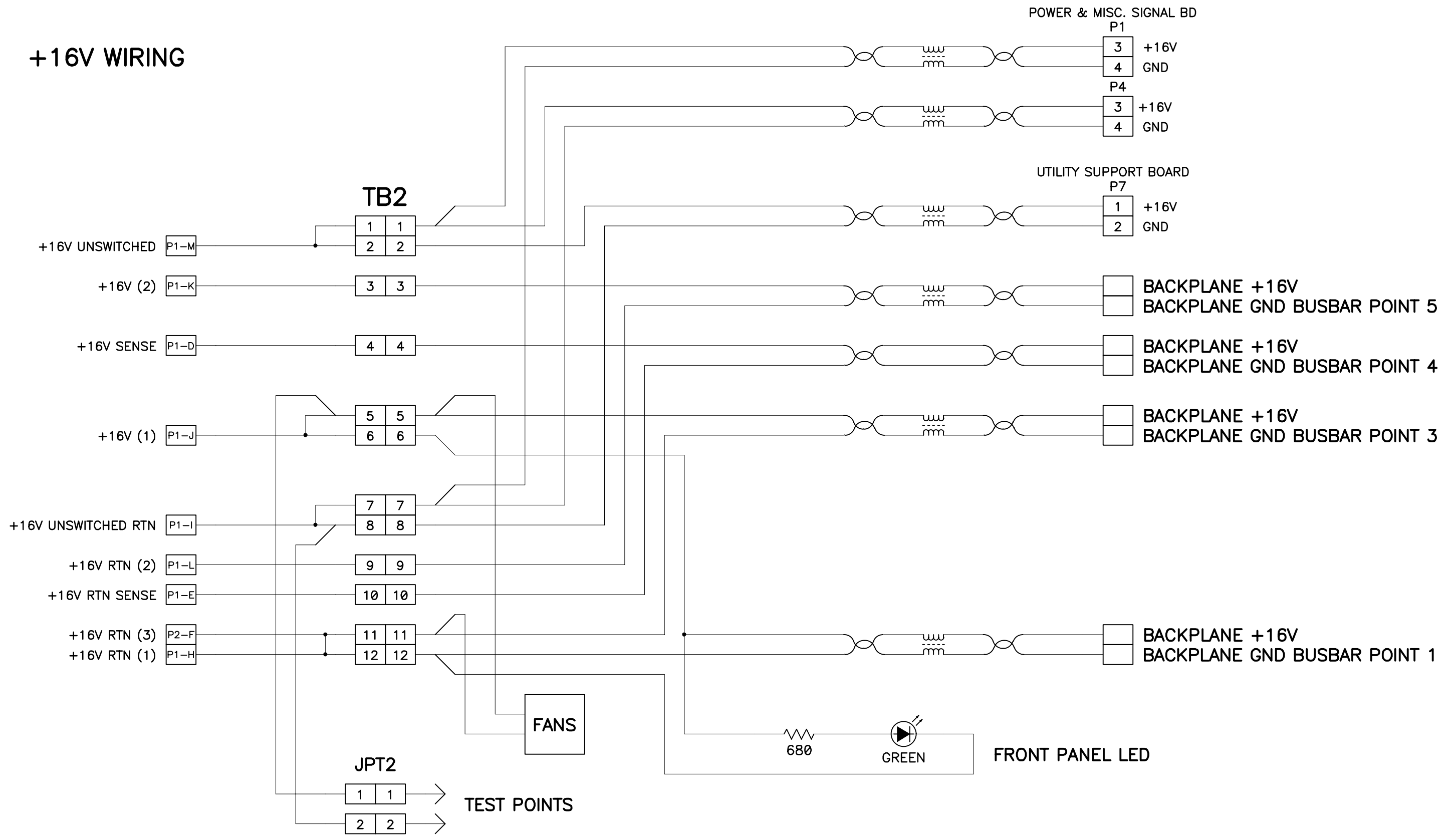
+5V WIRING



REVISION
02-26-02 ADDED TEST POINT WIRING

UNIVERSITY OF CALIFORNIA LICK OBSERVATORY		DEIMOS SCIENCE CCD CONTROLLER POWER WIRING	
DES'N BY: B. Alcott	ORIGIN DATE: 7/27/98	DWG. NO.	NUM. 1 OF 5
Last SN	MODIFY DATE: 02-26-02	EL-3167-2W	
PATH: DEIMOS\SDSU2CCD\SCIWIRING			

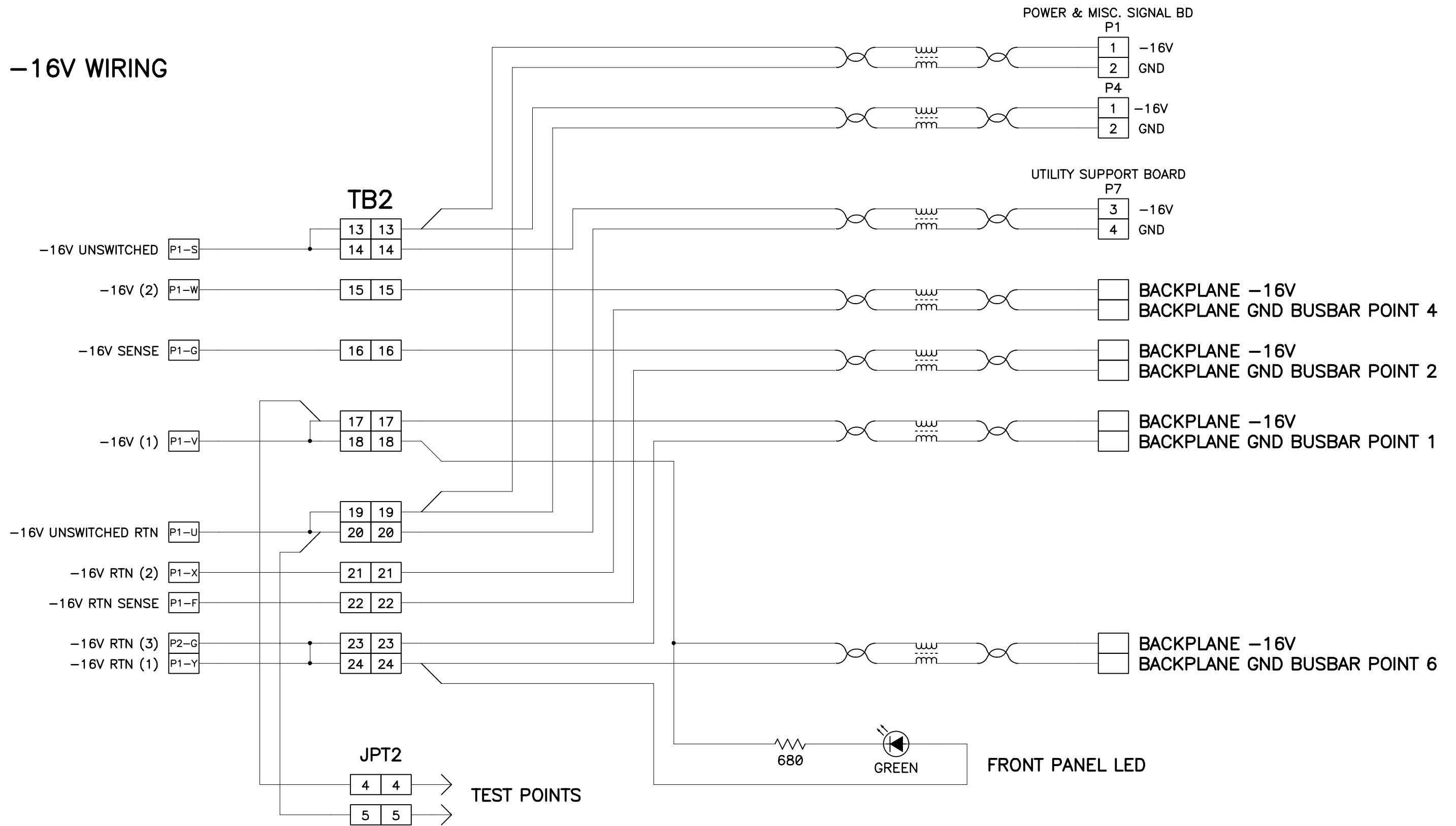
+16V WIRING



REVISION
02-26-02 ADDED TEST POINT WIRING

UNIVERSITY OF CALIFORNIA LICK OBSERVATORY		DEIMOS SCIENCE CCD CONTROLLER POWER WIRING	
DES'N BY: B. Alcott	ORIGIN DATE: 7/27/98	DWG. NO.	NUM. 2 OF 5
Last SN	MODIFY DATE: 02-26-02	EL-3167-2W	
PATH: DEIMOS\SDSU2CCD\SCIWIRING			

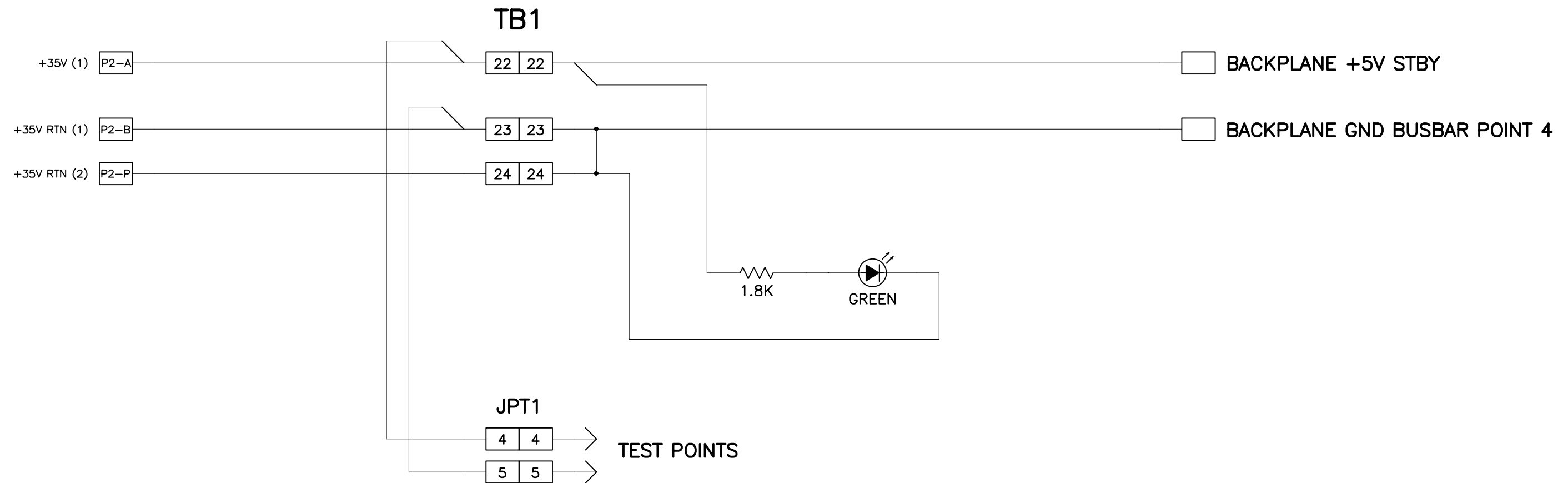
-16V WIRING



REVISION
02-26-02 ADDED TEST POINT WIRING

UNIVERSITY OF CALIFORNIA LICK OBSERVATORY		DEIMOS SCIENCE CCD CONTROLLER POWER WIRING	
DES'N BY: B. Alcott	ORIGIN DATE: 7/27/98	DWG. NO.	NUM. 3 OF 5
Last SN	MODIFY DATE: 02-26-02	EL-3167-2W	
PATH: DEIMOS\SDSU2CCD\SCIWIRING			

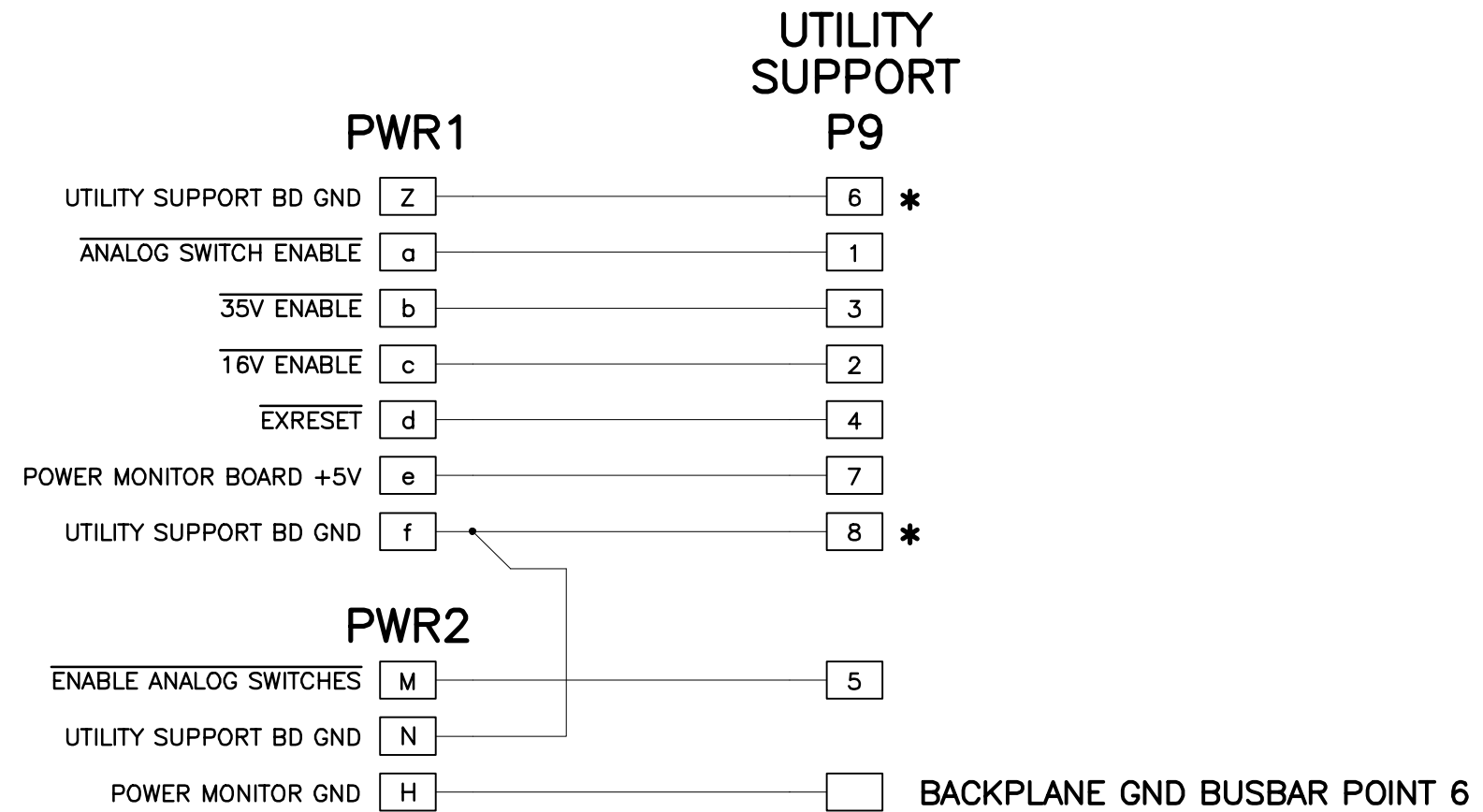
+35V WIRING



REVISION
02-26-02 ADDED TEST POINT WIRING

UNIVERSITY OF CALIFORNIA LICK OBSERVATORY		DEIMOS SCIENCE CCD CONTROLLER POWER WIRING	
DES'N BY: B. Alcott	ORIGIN DATE: 7/27/98	DWG. NO.	NUM. 4 OF 5
Last SN	MODIFY DATE: 02-26-02	EL-3167-2W	
PATH: DEIMOS\SDSU2CCD\SCIWIRING			

POWER MONITOR WIRING



* NOTE: MAKE SURE THAT PINS 8 AND 6 ARE TIED TOGETHER AT P9 OF THE UTILITY SUPPORT BOARD

REVISION

UNIVERSITY OF CALIFORNIA LICK OBSERVATORY		DEIMOS SCIENCE CCD CONTROLLER POWER WIRING	
DES'N BY: B. Alcott	ORIGIN DATE: 7/27/98	DWG. NO.	NUM. 5 OF 5
Last SN	MODIFY DATE:	EL-3167-2W	
PATH: DEIMOS\SDSU2CCD\SCIWIRING			